

PowerBoss®
The Power of Clean



Parts Catalog

Nautilus Hi-Dump & Nautilus Hi-Dump CE Rider Scrubber/Sweeper

Models: Diesel, Gasoline, & LPG

PowerBoss®, Minuteman International, Inc.
A Member of the Hako Group

#988752 Rev. R 04/23
Effective Serial No. 23PB1280

PREFACE

Thank you for your purchase of the new industry standard for scrubber/sweepers. PowerBoss® takes great pride in offering the most dependable, reliable and best value in industrial power scrubbers and sweepers. We set the standard.

Our Customer Service Department would like to hear from you. If you see any errors, omissions or something that needs clarification in this Parts Catalog please let us know. We are working hard towards continually improving our processes to bring you the best you deserve. Please copy the form below, fill out and comment on how you found our catalog.

Thank you!
The PowerBoss Team

Name: _____

Title: _____

Company Name: _____

Address: _____

Country: _____

Type of equipment or model number: _____

Comments: _____

Please return to:

Customer Service Manager
PowerBoss®, Minuteman International, Inc.
14N845 U.S. Route 20
Pingree Grove, Illinois 60140 USA

Phone: (800) 323-9420

Email: tech@powerboss.com

This is the Parts Catalog for the PowerBoss® Nautilus Hi-Dump Scrubber/Sweeper machine.

This catalog covers all Standard Nautilus Hi-Dump machine variations beginning August 2015.

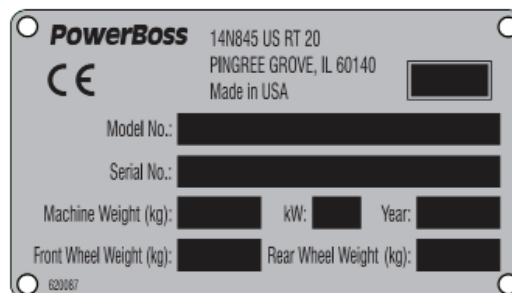
We believe this machine will provide excellent service for many years. Best results will be obtained if:

- The machine is operated with reasonable care.
- The machine is maintained regularly per the maintenance schedule provided in the User Manual.
- The machine is maintained with PowerBoss® supplied or equivalent parts.

All right side and left side references to the machine (except for engine) are determined by facing the direction of forward travel. The front of the engine or engine fan faces the front of the machine. Some hardware considered to be common or locally available has been omitted from the parts section to make this manual clear. Be sure to use equivalent hardware when replacement becomes necessary.

The Model and Serial Number of your machine is shown on the I.D. name plate. This information is needed when contacting Technical Support or when ordering parts. The I.D. plate is mounted on the left side wall of the operator seating area.

Example I.D Plate:



Parts may be ordered by phone, fax or e-mail from any PowerBoss® parts and service center. Before ordering parts or supplies, be sure to have your machine model number and serial number handy. For your convenience Fill out the data block below for future reference.

MACHINE DATA Fill out at installation	
Serial Number:	_____
Engine Serial Number:	_____
Sales Rep.:	_____
Date of Install:	_____

All information contained in this catalog is current at the time of printing. Minuteman International, Inc. reserves the right to make changes at any time without notice.

PowerBoss®, Minuteman International, Inc., Copyright 2014-2015, Printed in USA

TECHNICAL SPECIFICATIONS

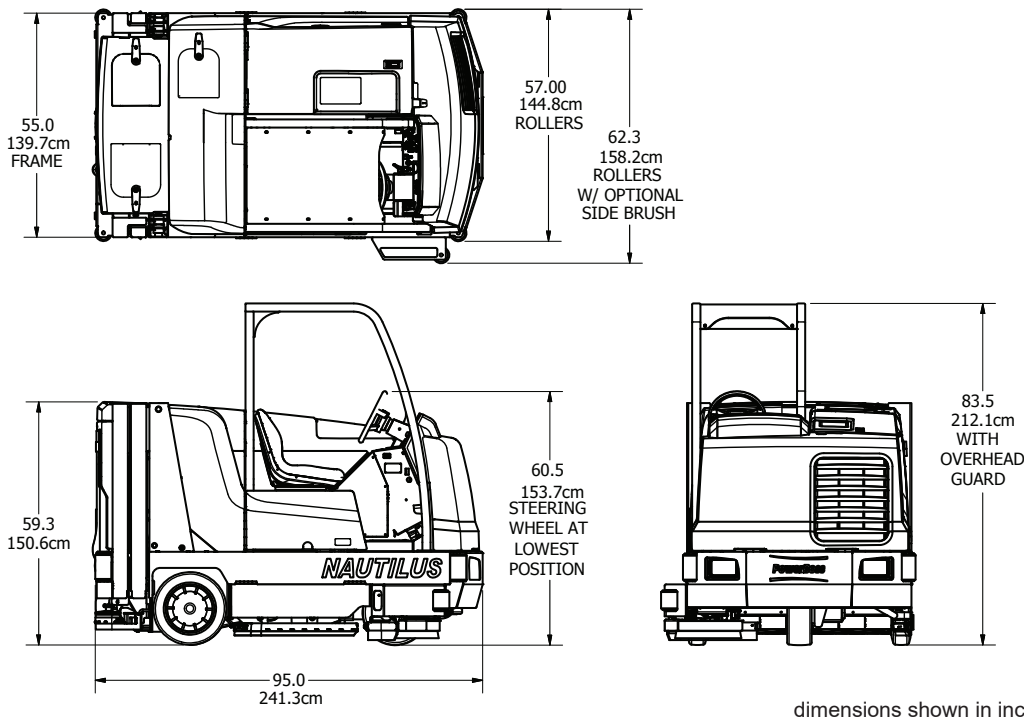
Model: Nautilus Hi-Dump Rider Scrubber/Sweeper and Nautilus Hi-Dump CE Rider Scrubber/Sweeper
 Model No.: PB45HDSL, PB45HGAS, PB45HLP, PB45HDSLCE, PB45HGASCE, PB45HLPCE, PB45HDSLUK, PB45HGASUK, PB45HLPUK

GENERAL MACHINE SPECIFICATIONS

Length: 95.0 in (241.3 cm)
 Width with side scrub brush retracted: . . . 60.5 in (153.7 cm)
 Width with side scrub brush extended: . . . 65.5 in (166.4 cm)
 Height to lowest steering position: 60.5 in (153.7 cm)
 Height with overhead guard: 83.5 in (212.1 cm)
 Wheelbase: 47.75 in (121.3 cm)
 Front tires (molded): 16 in x 6 in
 (40 cm x 15 cm)
 Rear tires (press on): 18 in x 5 in
 (45 cm x 12 cm)
 Aisle width U-turn: 8 ft - 11.7 in (273.6 cm)
 Weight (Diesel engine) 4,047 lb (1836 kg)
 Weight (Gas & LPG engines) 4,027 lb (1826 kg)
 Maximum forward speed: 7.7 mph (12.4 km/h)
 Maximum reverse speed: 4.0 mph (6.4 km/h)
 Maximum climb angle (Traveling): 10 deg. (17% grade)
 Maximum climb angle (Scrubbing): 8 deg. (14% grade)

SCRUBBING SYSTEM

Cleaning path (main brushes) 45 in (114 cm)
 Cleaning path (w/optional side brush) . . . 60 in (152 cm)
 Main brush diameter: 12 in (30 cm)
 Main brush length: 45 in (114 cm)
 Main brush speed: 425 RPM
 Main brush force: 200 lb - 400 lb
 (90 kg - 181 kg)
 Side scrub brush diameter: 16 in (40 cm)
 Side scrub brush speed: 200 RPM
 Solution Tank capacity: 105 gal (397 L)
 Recovery Tank capacity: 105 gal (397 L)
 Demister chamber capacity: 17 gal (64 L)
 (2) Debris trays, total capacity: 2.1 ft³ (.059 m³)
 Vacuum fan speed: 11,500 RPM
 Vacuum water lift: 35 in (88 cm)



CE DECLARATION OF CONFORMANCE

14N845 U.S. Route 20 · Pingree Grove, Illinois 60140 USA
Phone: 800-323-9420 · Fax: 847-693-5207
A Member of the Hako Group

PowerBoss®
The Power of Clean

- D** EG-Konformitätserklärung (entsprechend der EG-Richtlinie 2006/42/EG)
- GB** EC Declaration of Conformity (according to Directive 2006/42/EC)
- F** Déclaration de conformité pour la CEE (conforme à la directive de la CEE 2006/42/CEE)
- I** Dichiarazione CE di Conformità (ai sensi della direttiva CEE 2006/42)
- E** CEE Declaración de Conformidad (según la normativa de la CEE 2006/42/CE)

PowerBoss Inc. erklären in alleiniger Verantwortung, daß das Produkt, declare under our sole responsibility, that the product, déclarons sous notre seule responsabilité que le produit, Dichlara sotto la propria responsabilità che il prodotto, declaramos bajo responsabilidad propia que el producto,

Machine	Nautilus Hi Dump Diesel	(PB45HDSLCE, PB45HDSLK)
	Nautilus Hi Dump Gas	(PB45HGASCE, PB45HGASUK)
	Nautilus Hi Dump LP	(PB45HLPCE, PB45HLPK)

D auf das sich diese Erklärung bezieht, den einschlägigen grundlegenden Sicherheits- und Gesundheitsanforderungen der EG-Richtlinie 2006/42/EG, sowie den Anforderungen gemäß 2014/ 30 /EG entspricht. Zur sachgerechten Umsetzung der in den EG-Richtlinien genannten Sicherheits- und Gesundheitsanforderungen wurde(n) folgende Norm(en) und /oder technische Spezifikation(en) herangezogen:

GB to which this declaration relates corresponds to the relevant basic safety and health requirements of the Directive 2006/42/EC, and to the requirements of the other relevant Directives 2014/ 30 /EC. For the relevant implementation of the safety and health requirements mentioned in the Directives, the following standard(s) and/or technical specification(s) has (have) been respected:

F faisant l'objet de la déclaration est conforme aux prescriptions fondamentales en matière de sécurité et de santé stipulées dans la Directive de la CEE 2006/42/CEE, ainsi qu'aux prescriptions des autres Directives de la CEE établies dans ce domaine 2014/ 30 /CEE. Pour mettre en pratique dans les règles de l'art les prescriptions en matière de sécurité et de santé stipulées dans les Directives de la CEE, il a été tenu compte de la/des norme(s) et/ou de la/des spécification(s) technique(s) suivante(s):

I é conforme ai requisiti essenziali di sicurezza e di tutela della salute di cui alla Direttiva CEE 2006/42 e sue successive modifiche, nonché ai requisiti di cui alle seguenti Direttive CEE 2014/ 30 . Per la verifica della Conformità di cui alle Direttive sopra menzionate, sono state consultate le seguenti, Norme Armonizzate EN:

E al cual se refiere la presente declaración corresponde a las exigencias básicas de la normativa de la CEE 2006/42/CE y referentes a la seguridad y a la sanidad, así como a las exigencias de la demás normativas de la CEE 2014/ 30 /CE. Con el fin de realizar de forma adecuada las exigencias referentes a la seguridad y a la sanidad mencionadas en las normativas de la CEE fué(ron) consultada(s) la(s) siguiente(s) normativa(s) y especificación(es) técnicas(s):

Date 10/5/2017



Jack Hill
Managing Director

Name der autorisierten Person, die für PowerBoss die technischen Unterlagen zusammenstellt:
Name of the person authorized for PowerBoss to compile the technical file:
Personne chargée du suivi du dossier technique:
Nome della persona autorizzata da PowerBoss a compilare il file tecnico:
Nombre de la persona autorizada por PowerBoss para la creación del fichero técnico: Sébastien Filippone

D, GB, F, I, E

TABLE OF CONTENTS

PREFACE 2

TECHNICAL SPECIFICATIONS 4

 GENERAL MACHINE SPECIFICATIONS 4

 SCRUBBING SYSTEM 4

CE DECLARATION OF CONFORMANCE 5

PARTS BREAKDOWN 10

 FRAME GROUP (770105) 10

 BRAKE GROUP (730101) 12

 REAR WHEEL GROUP (770109) 14

 FRONT WHEEL GROUP (730102) 15

 STEERING FORK GROUP (730103) 16

 CONSOLE GROUP (730152) 18

 STEERING COLUMN GROUP (730104) 20

 INSTRUMENT PANEL GROUP - DIESEL (770108) 22

 INSTRUMENT PANEL GROUP - GAS (770107) 24

 INSTRUMENT PANEL GROUP - LPG (770106) 26

 HI-DUMP INSTRUMENTATION GROUP ONE (770122) 28

 TIMER ASSEMBLY BOX (748438) 30

 HI-DUMP INSTRUMENTATION GROUP TWO (770123) 32

 ELECTRICAL BOX GROUP - DIESEL (730156) 34

 DIRECTIONAL CONTROL GROUP (730110) 36

 PUMP LINKAGE GROUP (730111) 38

 SCRUB HEAD GROUP (730112) 40

 SCRUB BRUSH LIFT GROUP (730113) 42

 SCRUB BRUSH IDLER GROUP (730114) 44

 BRUSH DOOR GROUP (730115) 46

 SQUEEGEE LIFT GROUP (770100) 48

 SQUEEGEE LINKAGE GROUP (770101) 50

 SQUEEGEE GROUP (730118) 52

 SIDE SQUEEGEE GROUP - RH (730120) 54

 SIDE SQUEEGEE GROUP - LH (730157) 56

 SOLUTION TANK GROUP (770104) 58

 SOLUTION CONTROL GROUP (770114) 60

 RECOVERY TANK GROUP (770102) 62

 RECOVERY TANK DRAIN GROUP (770124) 64

 HOPPER GROUP (770113) 66

 HOPPER LIFT GROUP (770111) 68

 HOPPER DUMP DOOR GROUP (770112) 70

 REAR BUMPER GROUP (770115) 72

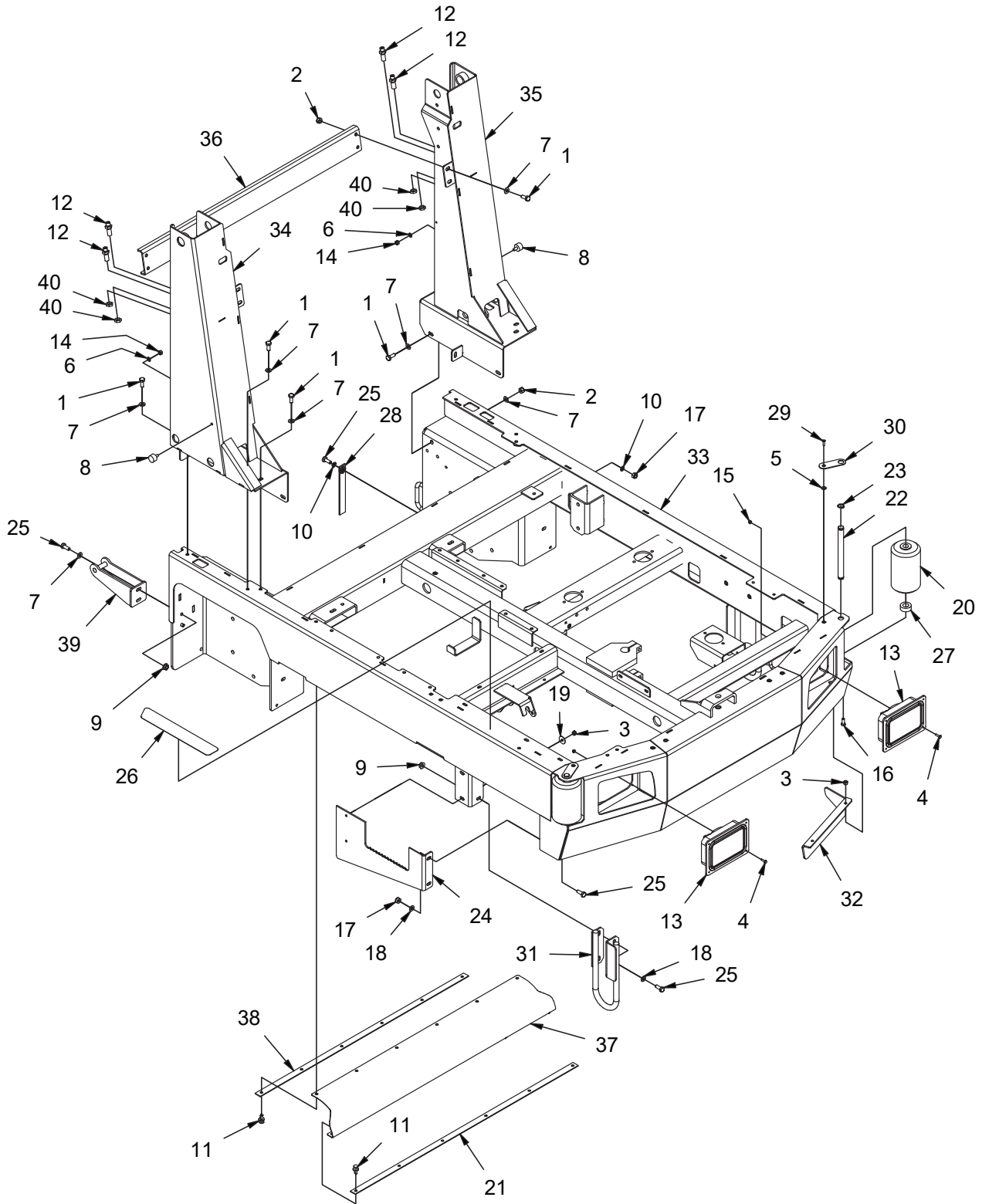
 BUMPER LIFT GROUP (770110) 74

IMPELLER GROUP (770674).....	76
IMPELLER HYDRAULIC MANIFOLD GROUP (770116).....	78
HYDRAULIC RESERVOIR GROUP (730127).....	80
HYDRAULIC PUMP GROUP (770675).....	82
HYDRAULIC VALVE GROUP (730137).....	84
HYDRAULIC MANIFOLD COMPONENTS GROUP (730170).....	86
ENGINE MOUNT GROUP - DIESEL (730128).....	88
ENGINE MOUNT GROUP - GAS (730164).....	90
ENGINE MOUNT GROUP - LPG (730163).....	92
AIR CLEANER GROUP - DIESEL (730131).....	94
AIR CLEANER GROUP - GAS (730129).....	96
AIR CLEANER GROUP - LPG (730130).....	98
RADIATOR GROUP (730132).....	100
RADIATOR OVERFLOW BOTTLE GROUP (730133).....	102
OIL COOLER GROUP (730134).....	104
EXHAUST GROUP - DIESEL (730154).....	106
EXHAUST GROUP - GAS / LP (730178).....	108
FUEL TANK MOUNT GROUP - DIESEL (730140).....	110
FUEL TANK MOUNT GROUP - GAS (730139).....	112
LPG TANK MOUNT GROUP (730138).....	114
CE LPG TANK MOUNT GROUP (730138-CE).....	116
FUEL LINE GROUP - DIESEL (730153).....	118
FUEL COMPONENT GROUP - GAS (730141).....	120
THROTTLE SOLENOID GROUP - DIESEL (730151).....	122
BATTERY GROUP (730142).....	124
FRONT COVER GROUP (730143).....	126
TOP COVER GROUP (730144).....	128
SIDE DOOR GROUP (731914).....	130
SEAT DOOR GROUP (731913).....	132
SEAT MOUNT GROUP (730147).....	134
REAR STEP GROUP, HD (770139).....	136
HYDRAULIC HOSE GROUP (730148).....	138
HYDRAULIC HI-DUMP HOSE GROUP (770118).....	140
HYDRAULIC HI-DUMP HOSE ROUTING (770119).....	142
HOSE CLAMP GROUP ONE (770120).....	144
HOSE CLAMP GROUP TWO (770120).....	146
DECAL GROUP (770121).....	148
ELECTRICAL GROUP (730116-HD).....	150
BRUSH/BROOM GROUP (730175).....	152
OPTIONS - PARTS BREAKDOWN.....	154

OPTION - SIDE BRUSH GROUP (730000).....	154
OPTION - SIDE BRUSH LIFT GROUP (730001)	156
OPTION - SIDE BRUSH SOLUTION CONTROL GROUP (730002)	158
OPTION - SIDE BRUSH HYDRAULIC HOSE GROUP (730011).....	160
OPTION - SIDE BRUSH SCRUB HEAD GROUP (730028).....	162
OPTION - SIDE BRUSH STEERING COLUMN GROUP (730029)	163
OPTION - OVERHEAD GUARD GROUP (730003)	164
OPTION - LIGHT GROUP ON OVERHEAD GUARD	166
OPTION - LIGHT GROUP ON SOLUTION TANK	167
OPTION - LIGHT GROUP WHEN CHEMICAL METERING AND RESERVE LPG TANK INSTALLED	168
OPTION - MAGNETIC SWEEPER BAR (731918)	170
OPTION - SUSPENSION SEAT GROUP (730007).....	172
OPTION - BACKUP ALARM GROUP (730008).....	174
OPTION - CHEMICAL METERING GROUP (730015)	176
OPTION - FIRE EXTINGUISHER GROUP (730016)	178
OPTION - AUTO FILL GROUP (730017).....	180
OPTION - CONSTANT SOLUTION (731910)	182
OPTION - URETHANE SQUEEGEE BLADE GROUP (730024)	186
OPTION - URETHANE SIDE BRUSH SQUEEGEE GROUP (730025).....	188
OPTION - SEAT SWITCH (730031)	190
OPTION - SIDE BROOM GROUP (730032)	192
OPTION - SIDE BROOM LIFT AND ADJUSTMENT GROUP (730033)	194
OPTION - SIDE BROOM HYDRAULIC HOSE GROUP (730034)	196
OPTION - SIDE BRUSH HYDRAULIC HOSE ROUTING (730038).....	198
OPTION - SPRAY AND VAC WAND TOOL GROUP (730021 - PART 1).....	200
OPTION - SPRAY AND VAC WAND HOSE GROUP (730021 PART 2).....	202
OPTION - SPRAY AND VAC WAND MOUNT GROUP (730022).....	204
OPTION - SPRAY AND VAC WAND PUMP GROUP (730023)	206
OPTION - SPRAY AND WASH GROUP (730040).....	208
OPTION - PRESSURE WASHER PUMP GROUP (730041-1).....	210
OPTION - PRESSURE WASHER HOSE AND WAND GROUP (730041-2)	212
OPTION - PRESSURE WASHER HYDRAULIC HOSE GROUP (730041-3)	214
OPTION - LOW LP INDICATOR GROUP (730042)	216
OPTION - SIDE BROOM WATER MIST GROUP (730043)	218
OPTION - REAR SQUEEGEE GUARD (730048)	220
OPTION - FRONT WHEEL FENDER (730052).....	222
OPTION - RESERVE LPG TANK GROUP (730160).....	224
OPTION - BACKUP ALARM GROUP - CM, RESERVE LPG IN (730169)	226
OPTION - DUST SUPPRESSION (731482).....	228

OPTION - DRY SWEEP (770002)	230
PUMP SUB GROUP (770002-1)	230
SKIRT SUB GROUP (770002-2)	232
WATER MIST SUB GROUP (770002-4)	234
MISCELLANEOUS ADDITIONAL OPTIONS	236
LAYOUTS - ELECTRICAL/HYDRAULIC	238
ELECTRICAL SCHEMATIC LAYOUT	238
ELECTRICAL SCHEMATIC LAYOUT (POINT TO POINT WIRING).....	244
HYDRAULIC SYSTEM LAYOUT	250
HYDRAULIC SYSTEM LAYOUT WITH OPTIONAL SIDE SCRUB BRUSH.....	252
TIMER DIP-SWITCH SETTINGS.....	254

PARTS BREAKDOWN FRAME GROUP (770105)

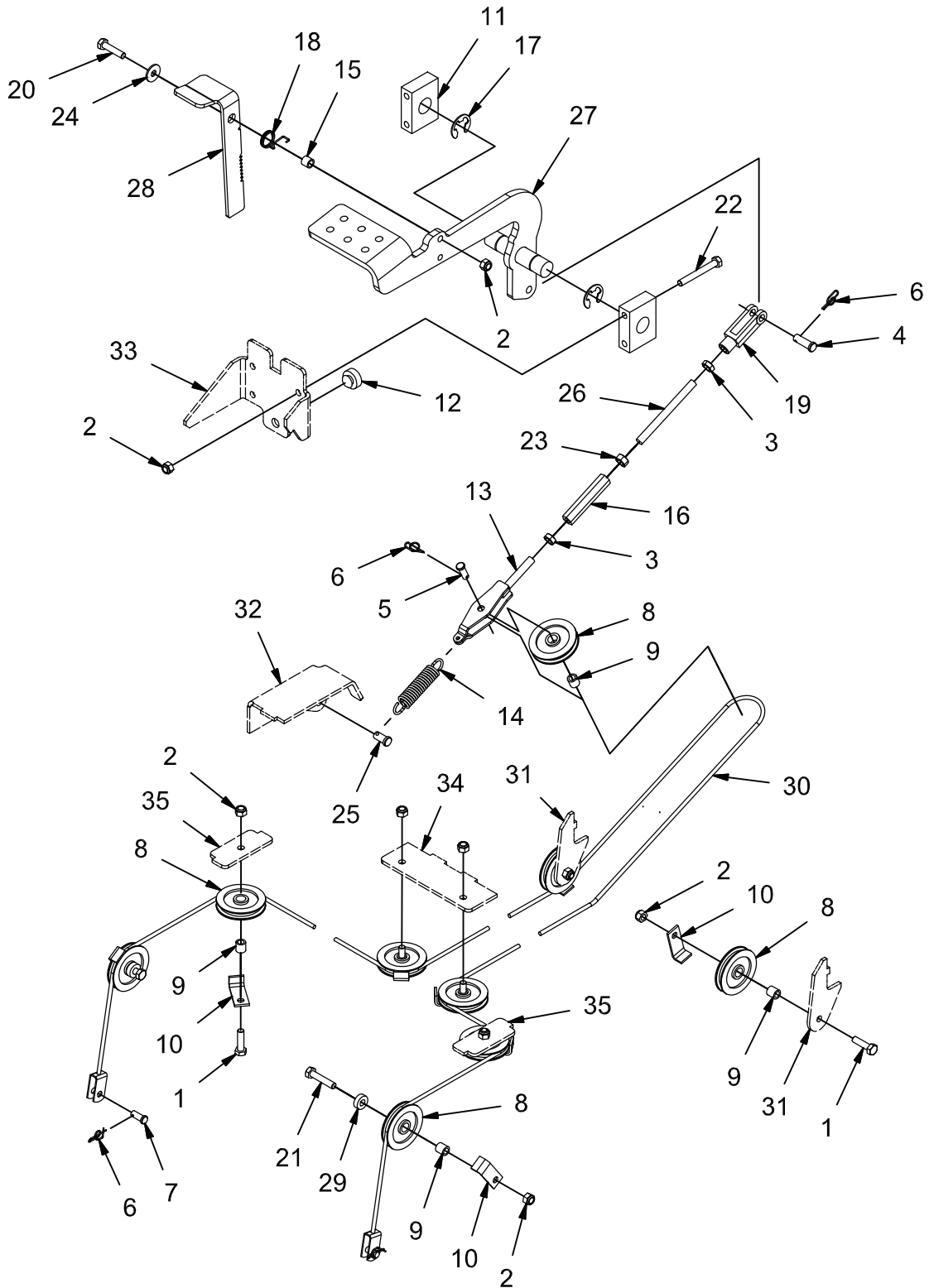


REV G

FRAME GROUP (770105)

Parts List - 770105			
ITEM	PART NO.	QTY	DESCRIPTION
1	11038346	14	SCR-HH M10-1.5 X 25 ZD CLASS 8.8
2	12040069	8	NUT-NYLOC M10 X 1.5 ZD CLASS 6
3	12040259	4	NUT-NYLOC M8 X 1.25 SS
4	3400044	8	SCR-HH 10-32 X .75 ZP SERR FLANGE
5	3400089	2	WASHER-FLAT 1/4 ZP
6	3400102	2	WASHER-LOCK 5/16 SPLIT ZP
7	3400385	20	WASHER-CONICAL SPRING 3/8
8	600220	2	BUMPER 1.00X0.625T
9	600936	5	NUT-FLANGE WIZZ M10-1.50 ZP CLASS 8
10	600946	2	WASHER-INT LOCK 3/8 STAR
11	600965	12	FASTENER-PUSH TYPE RETAINER
12	675632	4	FTG-ORFS UNION BULKHEAD -4 -4
13	681044	2	HEADLIGHT ASSY, HALOGEN (MOUNTED)
14	711319	2	NUT-HEX 5/16-18 ZP
15	711350	8	NUT-NYLOC 10-32 ZP
16	717030	2	SCR-HH M8-1.25 X 20 SS
17	730339	3	NUT-NYLOC M10-1.50 SS
18	730344	5	WASHER-FLAT M10 SS
19	730526	2	WASHER-FENDER M8 X 24 SS
20	730719	2	ROLLER
21	730830	1	RETAINER, SEAL ZP
22	730876	2	PIN, ROLLER
23	730877	2	RET RING-EXT .750
24	730919	1	COVER ASSY
25	730958	8	SCR-HH M10-1.50 X 25 SS FULL THREAD
26	730967	1	PAD, STEP
27	730975	2	SPACER, .813 B 1.50 OD .56 T
28	730979-2	1	STRAP, STATIC
29	731382	2	SCR-FHSCS M6-1.00 X 20 ZP
30	731388	2	RETAINER, ROLLER PIN
31	731509	1	WELDMENT, RIGHT GUARD
32	731559	1	GUARD, EXHAUST
33	770301-1	1	ASSEMBLY, HIGH DUMP FRAME
34	770381-1	1	ASSEMBLY, RH PILLAR
35	770388	1	WELDMENT, LH PILLAR
36	770393	1	CHANNEL, CROSS
37	770541	1	SEAL, HOPPER
38	770542	1	RETAINER, SEAL
39	770548	1	WELDMENT, STRIKER
40	PART OF 675632	4	NUT

BRAKE GROUP (730101)

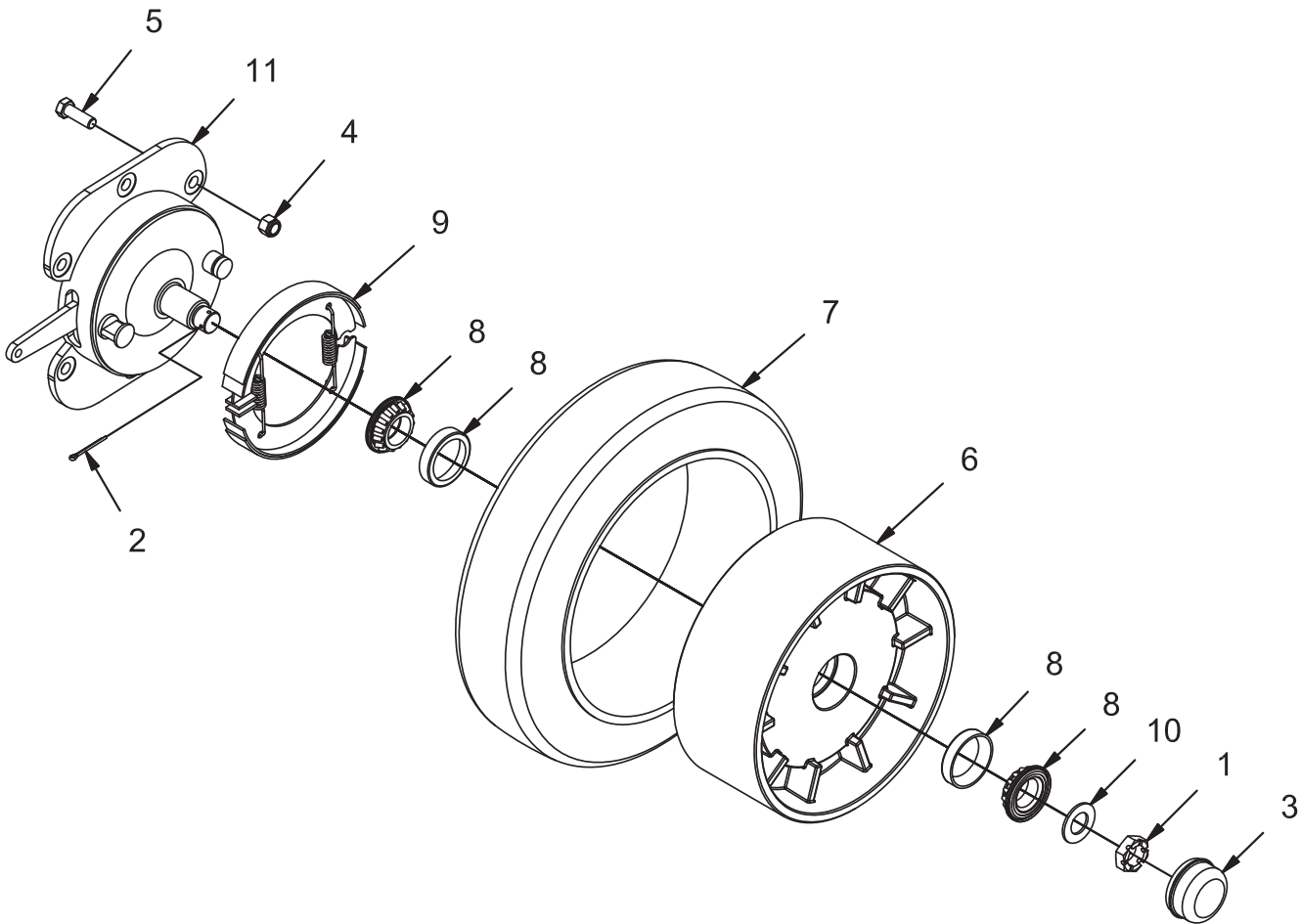


REV *

BRAKE GROUP (730101)

Parts List - 730101			
ITEM	PART NO.	QTY	DESCRIPTION
1	11038254	6	BOLT, M8-125 X 30 HH
2	12040051	13	NUT, M8-1.25 ESN
3	3400075	2	NUT, HEX JAM 3/8-24
4	3400117	1	PIN, CLEVIS 3/8 X 1.125
5	3400118	1	PIN, CLEVIS, .313 X .88
6	3400125	4	RUE-RING, .375
7	450034	2	PIN, CLEVIS, .313 X .75
8	600113	9	PULLEY, .50 B, 2.00 D, .44 T
9	600114	9	SPACER, .328 B .498 OD .500 T
10	600115	8	RETAINER, CABLE
11	600116	2	BLOCK, BRAKE PIVOT
12	600117	1	BUMPER, 1.00 X .339 T
13	600121	1	CLEVIS, BRAKE PULLEY
14	600127	1	SPRING, EXT, .105 W .75 OD 3.50 L
15	600315	1	SPACER, .344 B .485 OD .425 T
16	600338	1	TURNBUCKLE, .375
17	600570	2	E-RING, .88
18	600809	1	SPRING, TORSION
19	600813	1	CLEVIS, 3/8-24
20	600918	1	BOLT, M8-125 X 35 HH
21	600919	2	BOLT, M8-1.25 X 40 HH
22	600921	4	BOLT, M8-1.25 X 65 HH
23	600938	1	NUT, 3/8-24 LH
24	600940	1	WASHER, M8 FENDER
25	711679	1	PIN, CLEVIS, .375 X .75
26	730369	1	ROD, BRAKE ADJ
27	730370	1	WELDMENT, BRAKE PEDAL
28	730372	1	PEDAL, PARKING BRAKE
29	730374	2	SPACER, .344 ID .75 OD .25 T
30	730375	1	CABLE, BRAKE
31	REFERENCE	1	FRAME
32	REFERENCE	1	FRAME
33	REFERENCE	1	CONSOLE
34	REFERENCE	1	FRAME
35	REFERENCE	1	FRAME

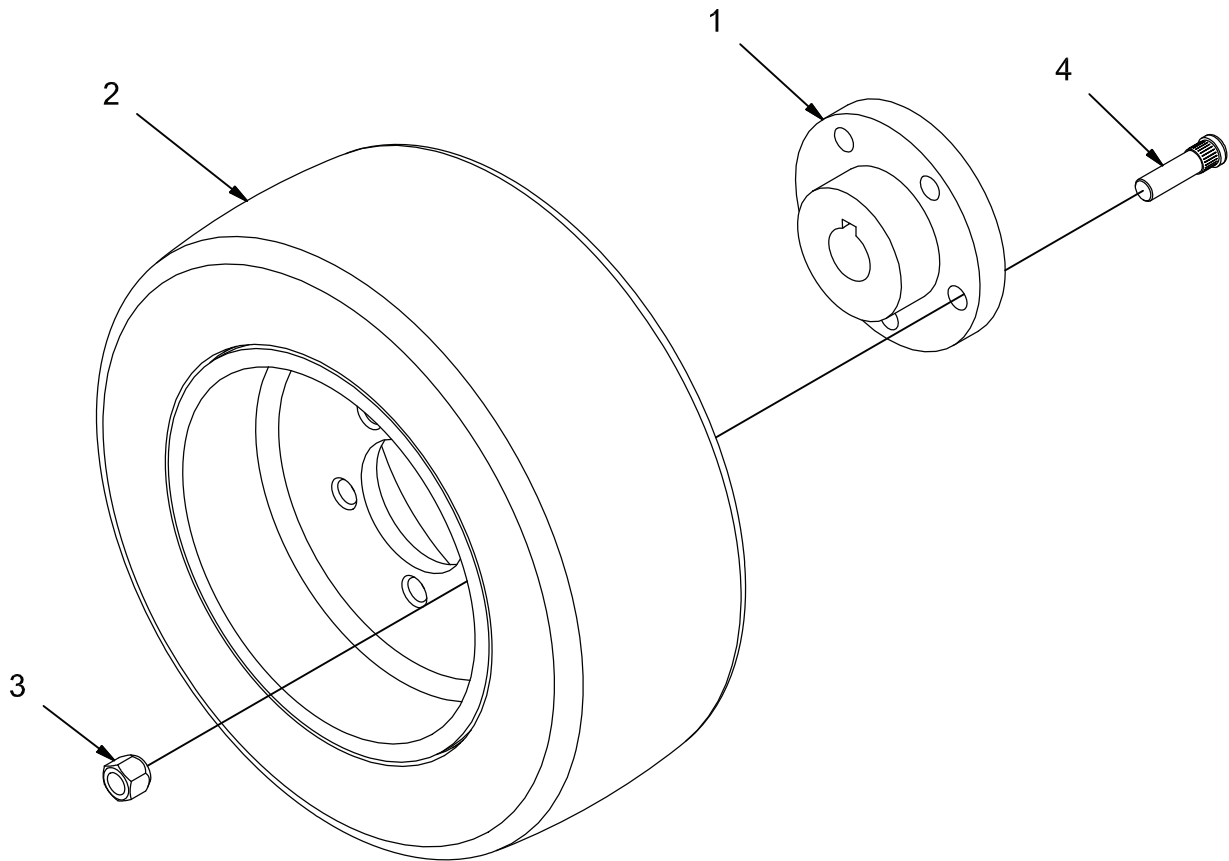
REAR WHEEL GROUP (770109)



Parts List - 770109			
ITEM	PART NO.	QTY	DESCRIPTION
1	3400223	2	NUT, 1-20 SLOTTED ZP
2	380-632-20	2	PIN, COTTER .125 X 1.50 ZP
3	383250	2	GREASE CAP
4	711376	12	NUT, FIBER INSERT 1/2-13
5	712047	12	SCREW, 1/2-13 X 1.50 HHC
6	***	2	RIM, 18"
7	***	2	TIRE, PRESS ON, 18 X 5
	731157		ASSEMBLY, TIRE AND RIM (ITEMS 6 AND 7)
8	730353	4	BEARING SET, 1.38 BORE CUP AND CONE
9	730357	-	BRAKE SHOE REPLACEMENT KIT
10	730358	2	SPACER, 1.03 B 1.88 OD .105 T
11	730316	2	ASSEMBLY, BRAKE-AXLE

REV *

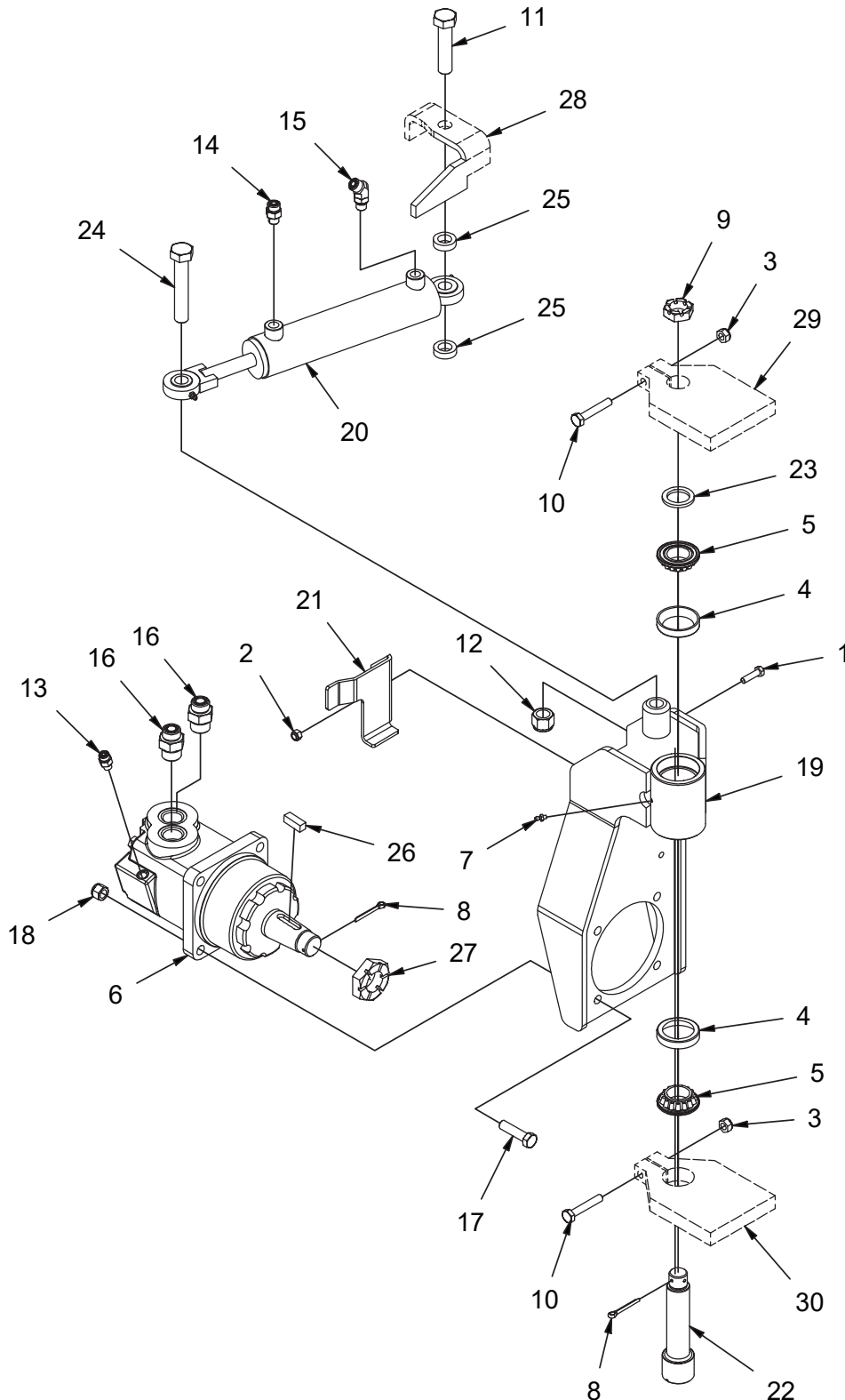
FRONT WHEEL GROUP (730102)



Parts List - 730102			
ITEM	PART NO.	QTY	DESCRIPTION
1	3316056	1	HUB, REAR WHEEL PNTD FULL
2	3316330	1	ASSEMBLY, TIRE AND RIM 16" PRESS-ON
3	3316057	5	NUT, LUG, 9/16-18
4	713526	5	STUD, WHEEL

REV A

STEERING FORK GROUP (730103)

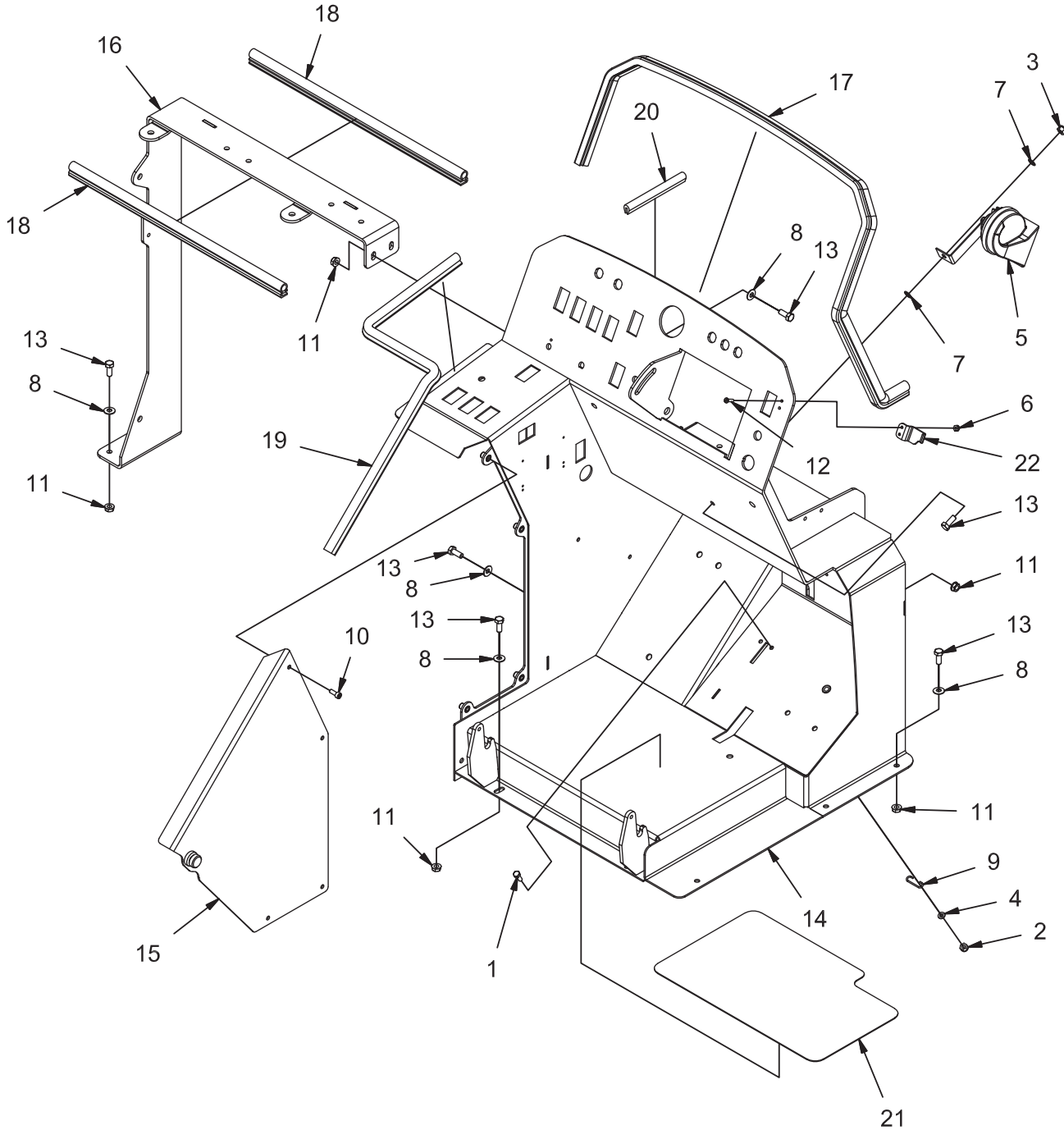


REV E

STEERING FORK GROUP (730103)

Parts List - 730103			
ITEM	PART NO.	QTY	DESCRIPTION
1	11038254	1	SCR-HH M8-1.25 X 30 ZP CLASS 8.8
2	12040051	1	NUT-NYLOC M8 X 1.25 ZP CLASS 8
3	12040069	2	NUT-NYLOC M10 X 1.5 ZD CLASS 6
4	3300470	2	BEARING-TAPERED ROL CUP
5	3300471	2	BEARING-TAPERED ROLCONE W/SEAL
6	3305108	1	MOTOR-HYD 4000 SERIES PNTD(SP)
7	3400012	3	FTG-GREASE 3/16
8	3400120	2	PIN-COTTER 5/32 X 2.00 ZP
9	3400223	1	NUT-HEX SLOTTED 1-20
10	600925	2	SCR-HH M10-1.5 X 60 ZP CLASS 8.8
11	600932	1	SCR-HH 3/4-10 X 3.25 ZP GR 5
12	620059	1	NUT-NYLOC 3/4-10 ZP
13	675508	1	FTG-ORFS STR THD -4 -4 SAE
14	675515	1	FTG-ORFS STR THD -6 -6 SAE
15	675552	1	FTG-ORFS 45 ELBOW -6 -6 SAE
16	675578	2	FTG-ORFS STR THD -10 -12 SAE
17	713608	4	SCR-HH 1/2-13 X 2.00 EG GR 8
18	713614	4	NUT-NYLOC 1/2-13 ZP GR8
19	730300	1	WELDMENT, STEERING FORK
20	730307	1	CYLINDER-STEERING
21	730312	1	RETAINER, HOSE BLK
22	730351	1	PIN, PIVOT
23	730352	1	SPACER, 1.255 B, 1.75 OD, .166 T
24	731426	1	SCR-HH 3/4-10 X 4.25 ZP GR 8
25	731427	2	SPACER, 0.766 ID 1.25 OD, 0.375 T
26	PART OF 3305108	1	KEY .44 SQ X 1.25
27	PART OF 3305108	1	NUT 1.25-18
28	REFERENCE	1	FRAME
29	REFERENCE	1	FRAME
30	REFERENCE	1	FRAME

CONSOLE GROUP (730152)

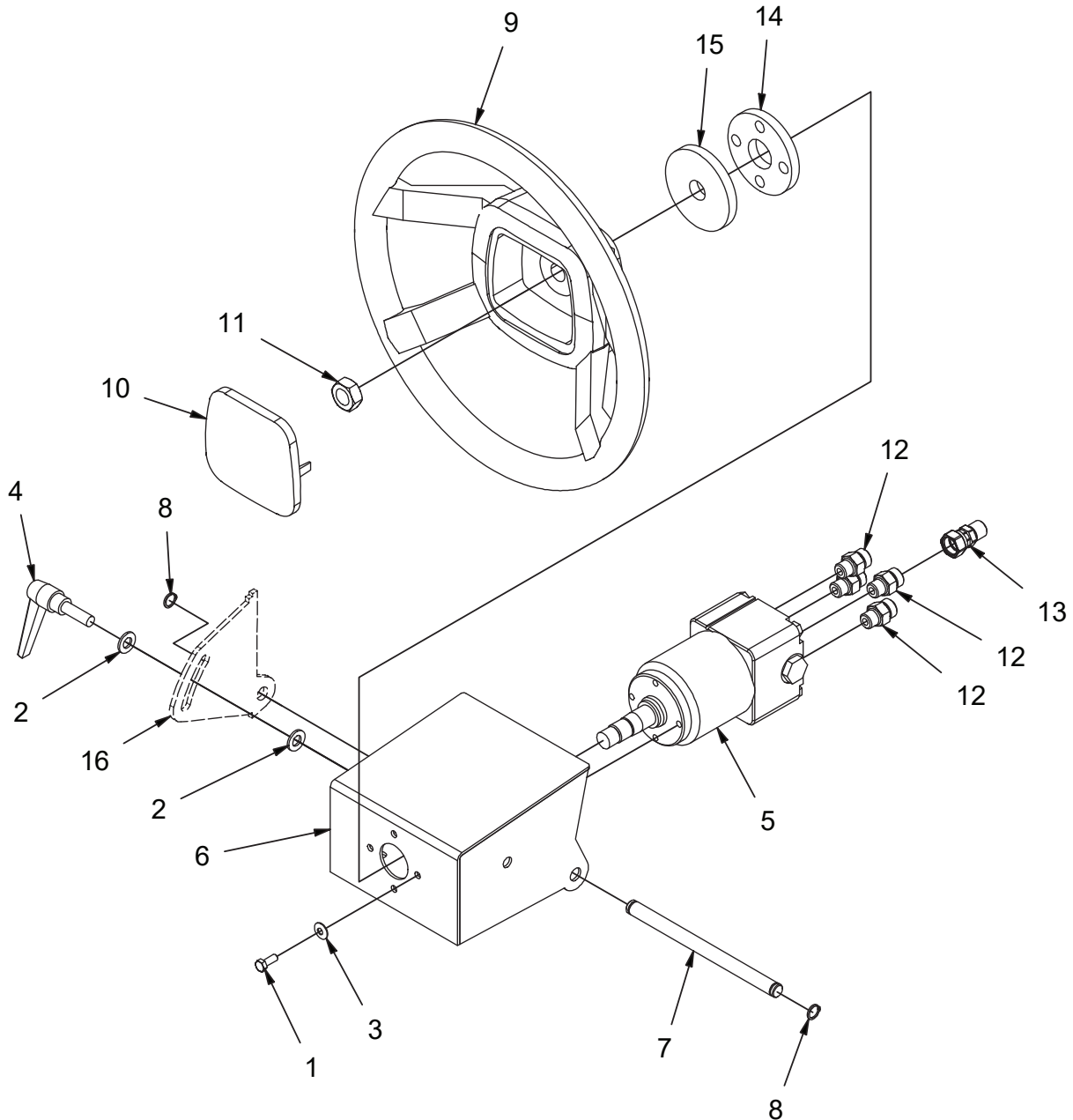


REV L

CONSOLE GROUP (730152)

Parts List - 730152			
ITEM	PART NO.	QTY	DESCRIPTION
1	11038072	2	BOLT, M6-1.00 X 16 HH
2	12040044	2	NUT, M6-1.00 ESN
3	12040259	1	NUT, M8-1.25 ESN SS
4	12310033	2	WASHER, M6
5	3300379	1	HORN, 12V
5a	704202	1	HORN BRACKET
6	3400082	2	NUT-NYLOC 8-32 ZP
7	3400273	2	WASHER, STAR, .31, INT. ZP
8	3400384	11	WASHER, 5/16 BELLEVILLE
9	600125	1	CATCH, PARKING BRAKE
10	600912	4	BOLT, M6-1.00 X 16 SHCS
11	600934	11	NUT, M8-1.25 FLNG
12	710230	2	SCR-PHMS 8-32 X .62 ZP
13	717024	12	BOLT, M8-1.25 X 20 HH
14	730376-1	1	ASSEMBLY, CONSOLE
15	730396	1	WELDMENT, CONSOLE COVER
16	730401	1	WELDMENT, COVER FRAME
17	730536	1	SEAL, BULB, 50.50 LG
18	730537	2	SEAL, BULB, 19.50 LG
19	730538	1	SEAL, BULB, 14.00 LG
20	730543	1	EDGING, 1/8 X 5.25"
21	730988	1	PAD, FLOOR
22	731435	1	CONSOLE, STRIKER

STEERING COLUMN GROUP (730104)

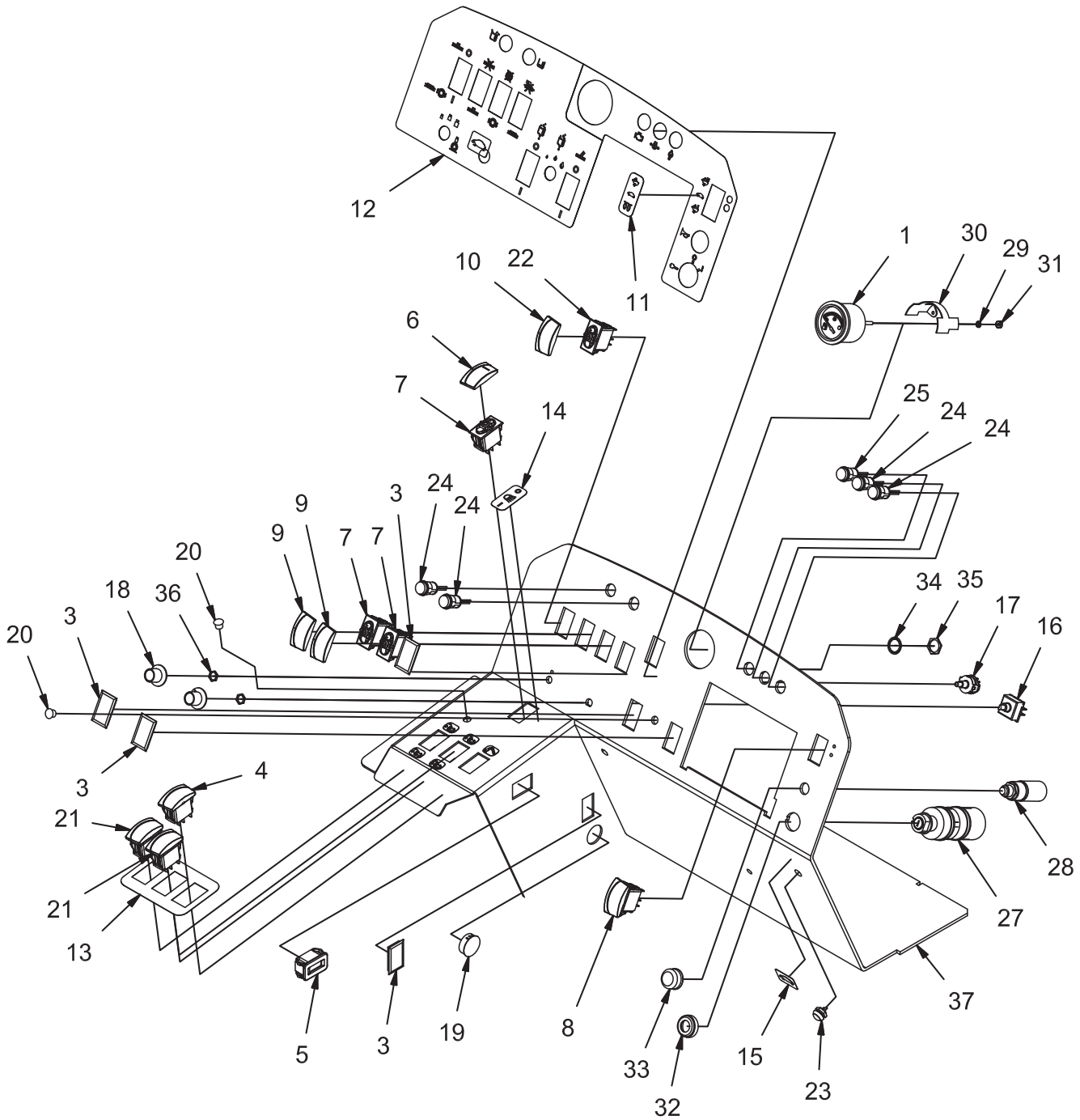


REV D

STEERING COLUMN GROUP (730104)

Parts List - 730104			
ITEM	PART NO.	QTY	DESCRIPTION
1	11038072	4	BOLT, M6-1.00 X 16 HH
2	12310058	2	WASHER, M10
3	3400383	4	WASHER-CONICAL SPRING 1/4
4	600260	1	KNOB LEVER
5	600368	1	STEERING UNIT
6	600465	1	WELDMENT STEERING MNT, DG
7	600516	1	SHAFT ROLLER, ZP
8	600569	2	RET RING-EXT .50 HD
9	610000	1	STEERING WHEEL, POWERBOSS
10	610001	1	STEERING WHEEL CAP, POWERBOSS
***	610003	1	STEERING WHEEL KNOB (NOT SHOWN)
11	620057	1	NUT-JAM M16 X 1.50 ZP
12	675515	4	FTG-ORFS STR THD -6 -6 SAE
13	675636	1	FTG-ORFS ORIFICE .078 #6
14	690152	1	DUST RING, STEERING
15	690160	1	DUST RING, STEERING, UPPER
16	REFERENCE	1	FRAME

INSTRUMENT PANEL GROUP - DIESEL (770108)

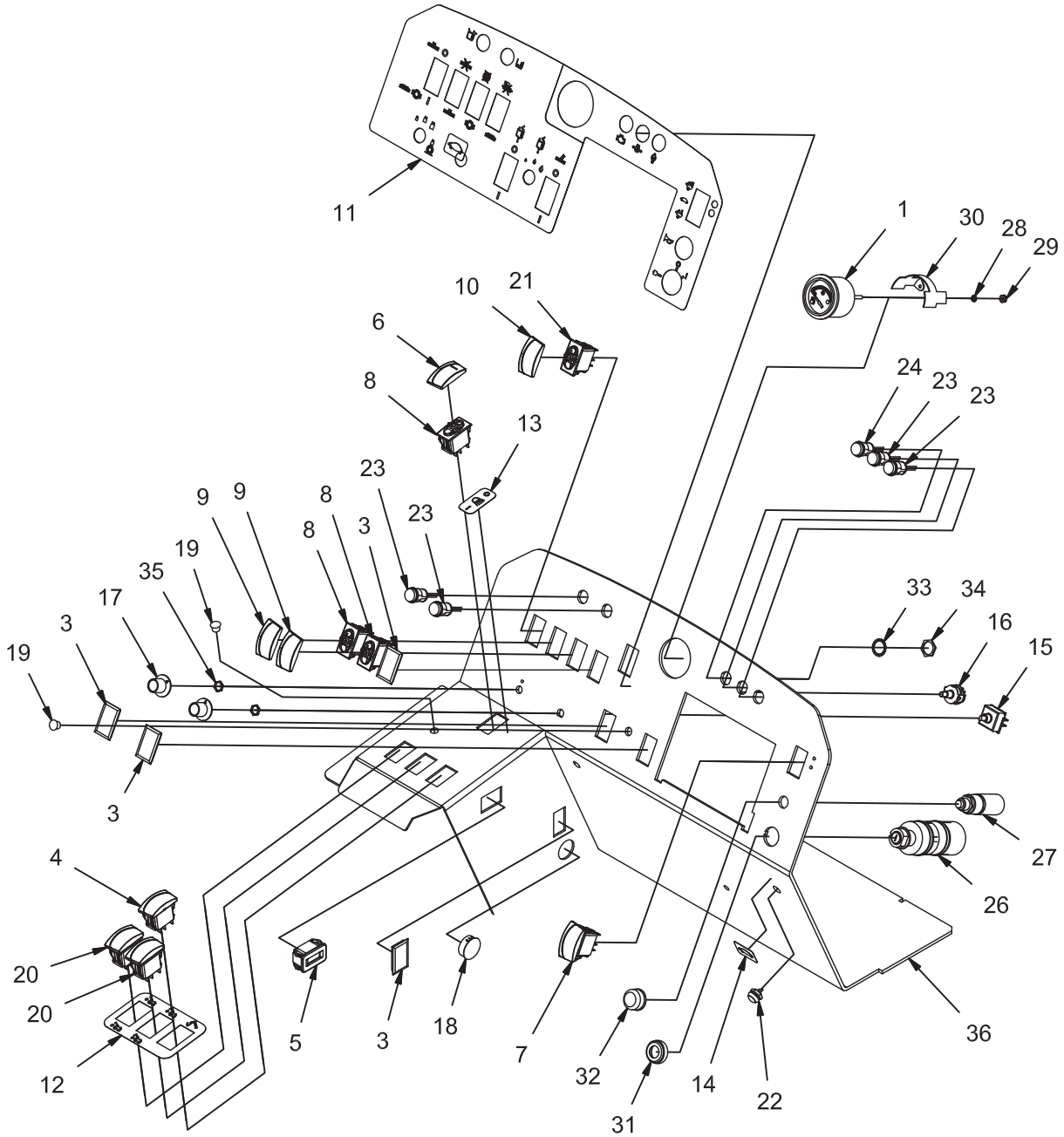


REV E

INSTRUMENT PANEL GROUP - DIESEL (770108)

Parts List - 770108			
ITEM	PART NO.	QTY	DESCRIPTION
1	3300382	1	GAUGE-FUEL, 2" DIA, 12V
2	3301345-1	1	WIRE ASSY, LIGHT INST GAUGE
3	3323529	3	PLUG-CARLING CONTURA SWITCH
4	3335114	1	SWITCH-ROCKER, OFF MOMENTARY ON
5	3336094	1	GAUGE-HOURMETER DIGITAL
6	3342273	3	COVER-SWITCH, CARLING, BLACK W/LENS
7	3342705	4	SWITCH-BASE, DPST CONTURA ROCKER
8	3343912	1	SW-ROCKER CONTURA DPDT ON-OFF
9	3344038	5	COVER-SWITCH ROCKER BLACK NO LENS
10	3344039	1	COVER-SWITCH ROCKER GREEN NO LENS
11	715956	1	DECAL, DIESEL IGNITION
12	715957	1	DECAL, INSTRUMENT PANEL
13	715972	1	DECAL, HIGH DUMP
14	715973	1	DECAL, LIGHTS
15	715974	1	DECAL, IDLE
16	730850	1	SWITCH, ROTARY, 3 WAY
17	730989-1	1	SWITCH WIRE ASSY, ROTARY 3-POS
18	731187	2	KNOB
19	731393	1	HOLE PLUG, 1 1/8 IN
20	742749	2	CIRCUIT BREAKER, HOLE PLUG
21	748157	2	SWITCH, CONTURA ROCKER, MOMENTARY
22	748761	1	SWITCH, TOGGLE DPDT ON/ON
23	748791-1	1	WIRE ASSY, PUSHBUTTON SWITCH
24	748995	4	LIGHT ASSY, INDICATOR RED - LED
25	748996	1	LIGHT ASSY, INDICATOR AMBER - LED
26	748998	1	FUEL GAUGE HARNESS
27	749072	1	SWITCH, IGNITION W/HARNESS
28	749073	1	SWITCH, HORN W/HARNESS
29	PART OF 3300382	2	LOCKWASHER
30	PART OF 3300382	1	RETAINER, GAUGE
31	PART OF 3300382	2	NUT
32	PART OF 749072	1	NUT, KEYSWITCH
33	PART OF 749073	1	CAP, SWITCH
34	PART OF LED	5	LOCKWASHER
35	PART OF LED	5	NUT
36	PART OF ROTARY SWITCH	2	NUT
37	REFERENCE	1	CONSOLE

INSTRUMENT PANEL GROUP - GAS (770107)

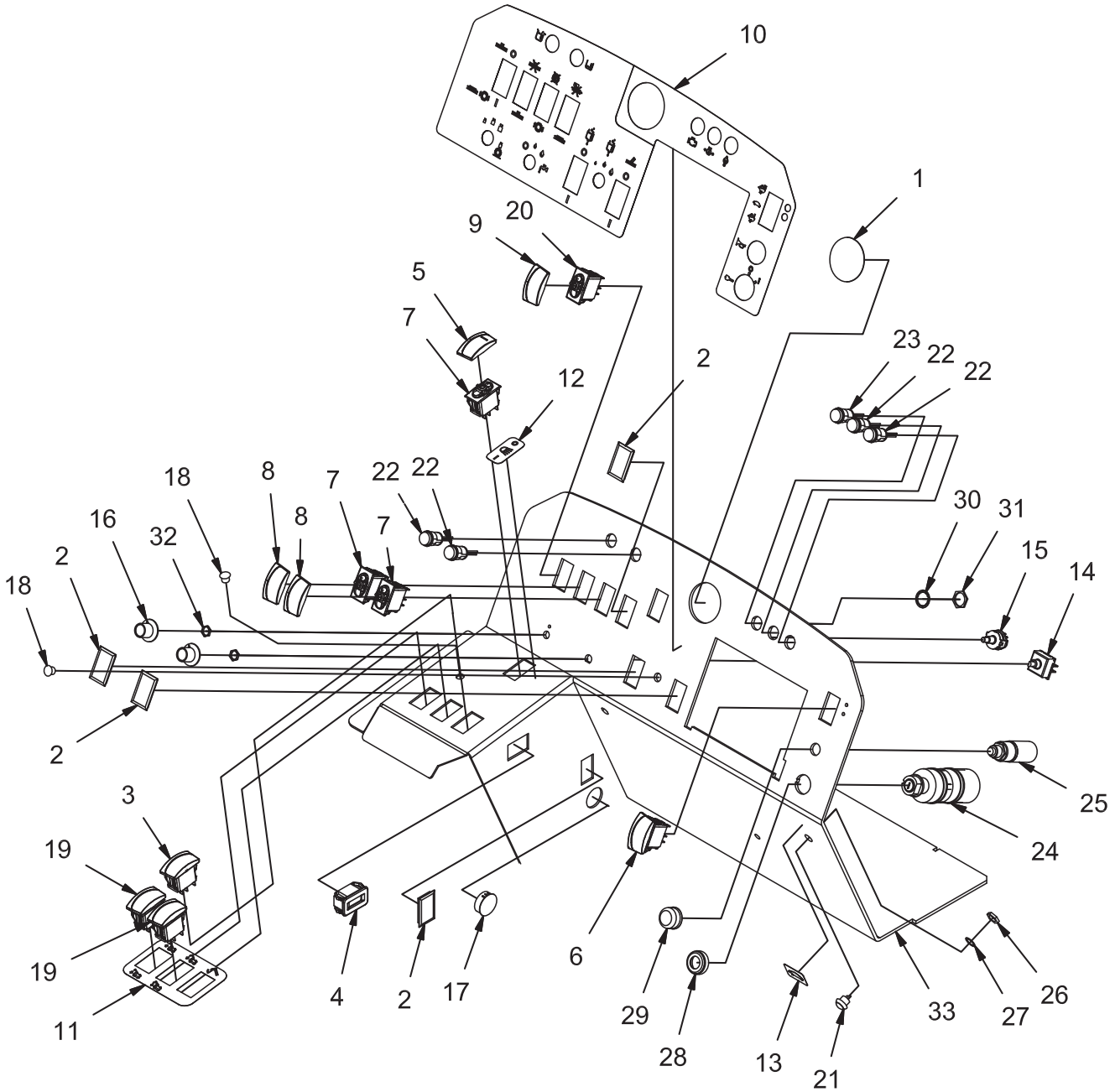


REV E

INSTRUMENT PANEL GROUP - GAS (770107)

Parts List - 770107			
ITEM	PART NO.	QTY	DESCRIPTION
1	3300382	1	GAUGE-FUEL, 2" DIA, 12V
2	3301345-1	1	WIRE ASSY, LIGHT INST GAUGE
3	3323529	4	PLUG-CARLING CONTURA SWITCH
4	3335114	1	SWITCH-ROCKER, OFF MOMENTARY ON
5	3336094	1	GAUGE-HOURMETER DIGITAL
6	3342273	1	COVER-SWITCH, CARLING, BLACK W/LENS
7	3342703	1	SWITCH-ROCKER, DPDT CONTURA NO LENS
8	3342705	3	SWITCH-BASE, DPST CONTURA ROCKER
9	3344038	2	COVER-SWITCH ROCKER BLACK NO LENS
10	3344039	1	COVER-SWITCH ROCKER GREEN NO LENS
11	715957	1	DECAL, INSTRUMENT PANEL
12	715972	1	DECAL, HIGH DUMP
13	715973	1	DECAL, LIGHTS
14	715974	1	DECAL, IDLE
15	730850	1	SWITCH, ROTARY, 3 WAY
16	730989-1	1	SWITCH WIRE ASSY, ROTARY 3-POS
17	731187	2	KNOB
18	731393	1	HOLE PLUG, 1 1/8 IN
19	742749	2	CIRCUIT BREAKER, HOLE PLUG
20	748157	2	SWITCH, CONTURA ROCKER, MOMENTARY
21	748761	1	SWITCH, TOGGLE DPDT ON/ON
22	748791-1	1	WIRE ASSY, PUSHBUTTON SWITCH
23	748995	4	LIGHT ASSY, INDICATOR RED - LED
24	748996	1	LIGHT ASSY, INDICATOR AMBER - LED
25	748998	1	FUEL GAUGE HARNESS
26	749072	1	SWITCH, IGNITION W/HARNESS
27	749073	1	SWITCH, HORN W/HARNESS
28	PART OF 3300382	2	LOCKWASHER
29	PART OF 3300382	2	NUT
30	PART OF 3300382	1	RETAINER, GAUGE
31	PART OF 749072	1	NUT, KEYSWITCH
32	PART OF 749073	1	CAP, SWITCH
33	PART OF LED	5	LOCKWASHER
34	PART OF LED	5	NUT
35	PART OF ROTARY SWITCH	2	NUT
36	REFERENCE	1	CONSOLE

INSTRUMENT PANEL GROUP - LPG (770106)

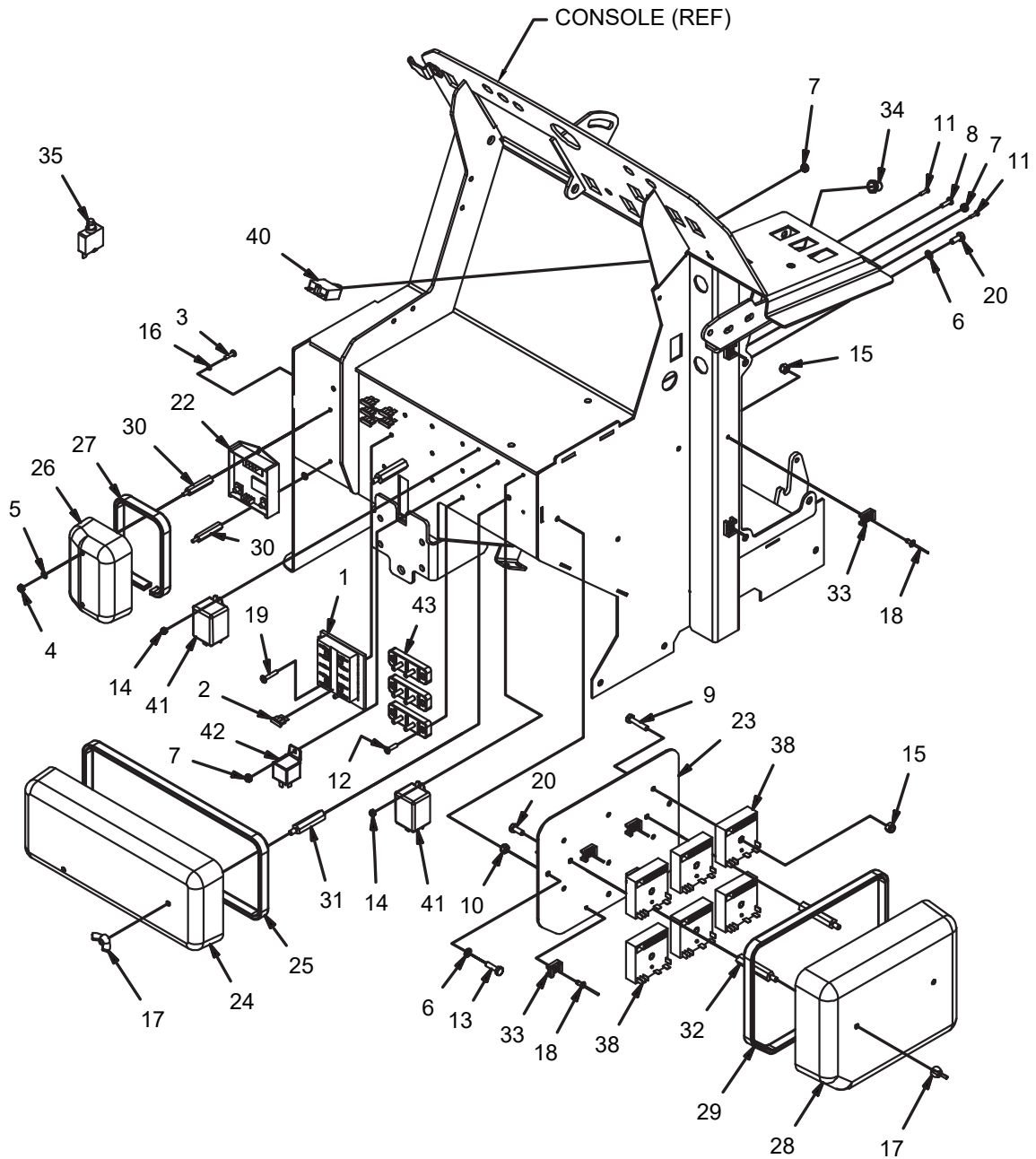


REV C

INSTRUMENT PANEL GROUP - LPG (770106)

Parts List - 770106			
ITEM	PART NO.	QTY	DESCRIPTION
1	3301822	1	PLUG-PLASTIC 2.00" DIA, (FOR GAUGES)
2	3323529	4	PLUG-CARLING CONTURA SWITCH
3	3335114	1	SWITCH-ROCKER, OFF MOMENTARY ON
4	3336094	1	GAUGE-HOURMETER DIGITAL
5	3342273	2	COVER-SWITCH, CARLING, BLACK W/LENS
6	3342703	1	SWITCH-ROCKER, DPDT CONTURA NO LENS
7	3342705	3	SWITCH-BASE, DPST CONTURA ROCKER
8	3344038	5	COVER-SWITCH ROCKER BLACK NO LENS
9	3344039	1	COVER-SWITCH ROCKER GREEN NO LENS
10	715957	1	DECAL, INSTRUMENT PANEL
11	715972	1	DECAL, HIGH DUMP
12	715973	1	DECAL, LIGHTS
13	715974	1	DECAL, IDLE
14	730850	1	SWITCH, ROTARY, 3 WAY
15	730989-1	1	SWITCH WIRE ASSY, ROTARY 3-POS
16	731187	2	KNOB
17	731393	1	HOLE PLUG, 1 1/8 IN
18	742749	2	CIRCUIT BREAKER, HOLE PLUG
19	748157	2	SWITCH, CONTURA ROCKER, MOMENTARY
20	748761	1	SWITCH, TOGGLE DPDT ON/ON
21	748791-1	1	WIRE ASSY, PUSHBUTTON SWITCH
22	748995	4	LIGHT ASSY, INDICATOR RED - LED
23	748996	1	LIGHT ASSY, INDICATOR AMBER - LED
24	749072	1	SWITCH, IGNITION W/HARNESS
25	749073	1	SWITCH, HORN W/HARNESS
26	PART OF 748791-1	1	NUT
27	PART OF 748791-1	1	WASHER
28	PART OF 749072	1	NUT, KEYSWITCH
29	PART OF 749073	1	CAP, SWITCH
30	PART OF LED	5	LOCKWASHER
31	PART OF LED	5	NUT
32	PART OF ROTARY SWITCH	2	NUT
33	REFERENCE	1	CONSOLE

HI-DUMP INSTRUMENTATION GROUP ONE (770122)

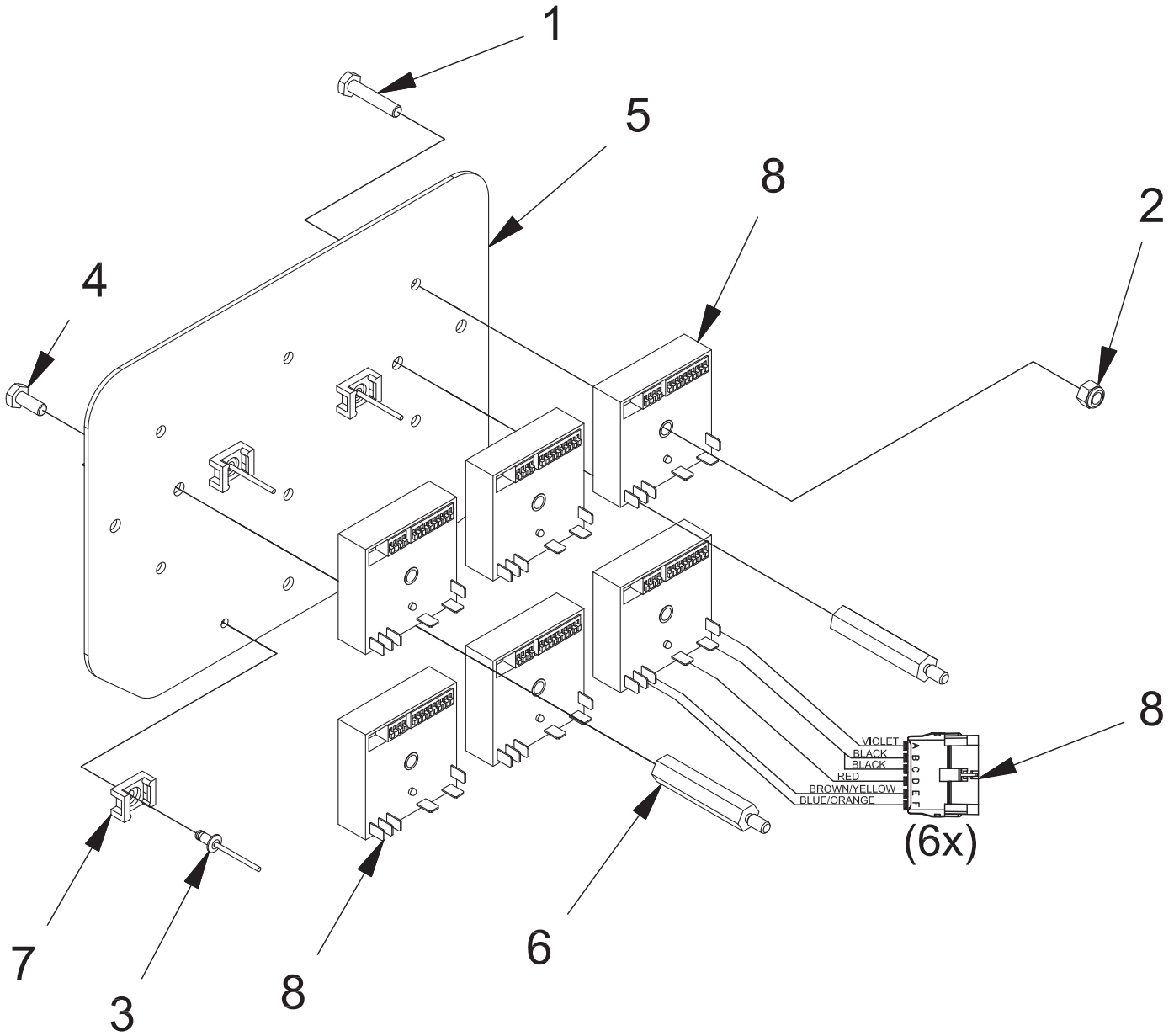


REV A

HI-DUMP INSTRUMENTATION GROUP ONE (770122)

Parts List - 770122			
ITEM	PART NO.	QTY	DESCRIPTION
1	3322599	1	FUSE BLOCK
2	3322601	6	FUSE, 15A
3	3400045	2	SCREW, #8-32 X .625 PAN HD ZP
4	3400082	2	NUT, FIBER INSERT #8-32
5	3400096	2	FLATWASHER, #8
6	3400103	5	LOCK WASHER, 1/4 HS MED
7	3400172	9	NUT, 10-32 ESN
8	3400204	1	SCREW, #10-32 X .625 PAN HD ZP
9	3400227	6	SCREW, 1/4-20 X 1.25 HH ZP
10	3401021	3	NUT, LOW HEIGHT 1/4-20 ESN
11	710204	4	SCREW, #6-32 X .500 PAN HD ZP
12	710556	6	SCREW, FHMS, 10-32 X .75 ZP
13	711206	3	BLT - HH 1/4-20 X .87 STL ZINC
14	711371	4	NUT, #6-32 ESN ZP
15	711373	9	NUT, FIBER INSERT 1/4-20
16	711542	2	WASHER, HELICAL, #8 ZP
17	711563	4	WING NUT, 1/4-20, NYLON
18	711903	7	RIVET, BLIND, .19 D X .126 - .250 GRIP ALU
19	712546	2	SCREW, #10-32 X 1.00 PAN HD ZP
20	713001	4	SCREW, 1/4-20 X .625 HHC
21	731125	-	PROP VALVE DRIVER (PART OF 731125-1)
22	731125-1	1	ASSEMBLY, PROPORTIONAL VALVE DRIVER
23	731191	1	PLATE, TIMER
24	731227	1	COVER, FUSE PANEL
25	731228	1	SEAL, FUSE COVER
26	731229	1	COVER, CONTROLLER
27	731230	1	SEAL, CONTROLLER
28	731231	1	COVER, TIMER
29	731232	1	SEAL, TIMER COVER
30	731233	2	STANDOFF, PANEL, #8-32 X 1.75
31	731234	2	STANDOFF, PANEL, 1/4-20 X 2.00
32	731236	2	STANDOFF, PANEL, 1/4-20 X 2.38
33	731258	7	MOUNT, CABLE TIE
34	742748	1	BOOT, CIRCUIT BREAKER
35	746006	1	CIRCUIT BREAKER, 3A (ATTACHED TO HARNESS)
36	748339	-	HANESS, WIRE ASSY (PART OF 748430-1)
37	748430	-	TIMER (PART OF 748430-1)
38	748430-1	6	ASSEMBLY, TIMER
39	748431	-	HARNESS, WIRE ASSY (PART OF 731125-1)
40	748904	1	CIRCUIT BREAKER, 40A
41	748961	2	RELAY, DPDT, 12VDC, 35A
42	90264672	1	RELAY, SPDT, 12VDC, 30A
43	90286238	3	TERMINAL BLOCK

TIMER ASSEMBLY BOX (748438)

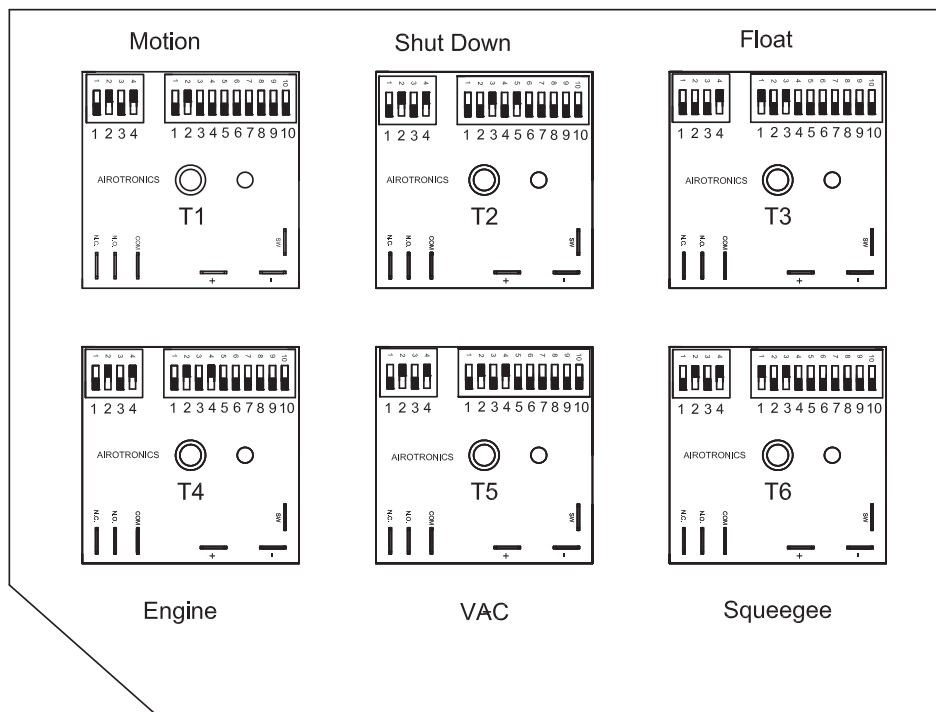


REV *

TIMER ASSEMBLY BOX BOM (748438)

Parts List - 748438			
ITEM	PART NO.	QTY	DESCRIPTION
1	3400227	6	SCR-HH 1/4-20 X 1.25 ZP GR 5
2	711373	6	NUT-NYLOC 1/4-20 ZP
3	711903	3	RIVET-POP 3/16 X .25 AL
4	713001	2	SCR-HH 1/4-20 X .62 GR 5 ZP
5	731191	1	TIMER, PLATE
6	731236	2	STANDOFF, PANEL, 1/4-20 X 2.38 LG ZINC
7	731258	3	MOUNT, CABLE TIE
8	748430-1	6	TIMER ASSEMBLY

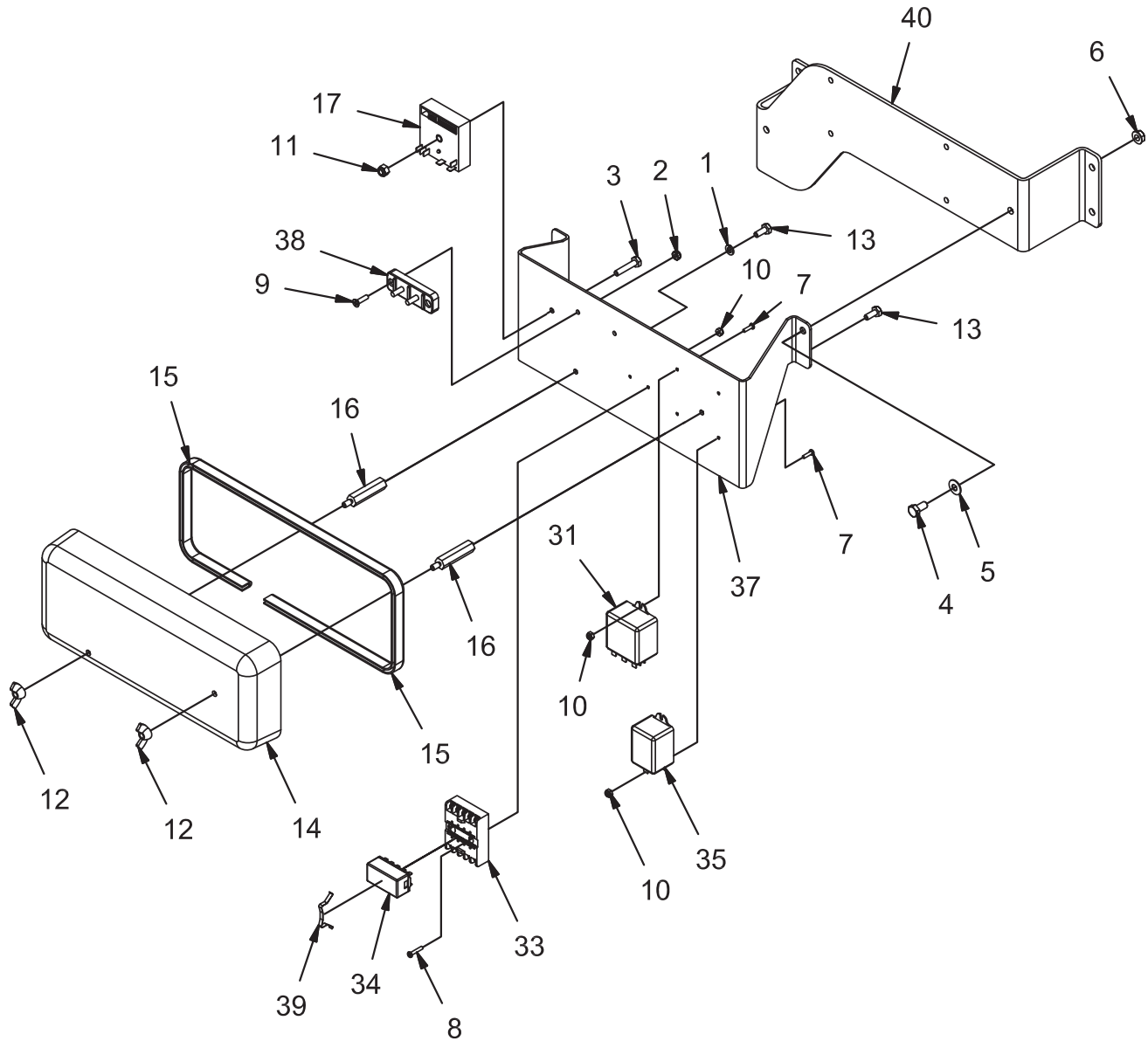
Timer Settings Detail



NOTE: SWITCHES ENLARGED TO SHOW DETAIL

TIMER CONNECTIONS	
WIRE	TERMINAL
VIOLET	SW
BLACK/BLACK	NEG
RED	POS
BROWN/YELLOW	COM
BLUE/ORANGE	N.O.

HI-DUMP INSTRUMENTATION GROUP TWO (770123)

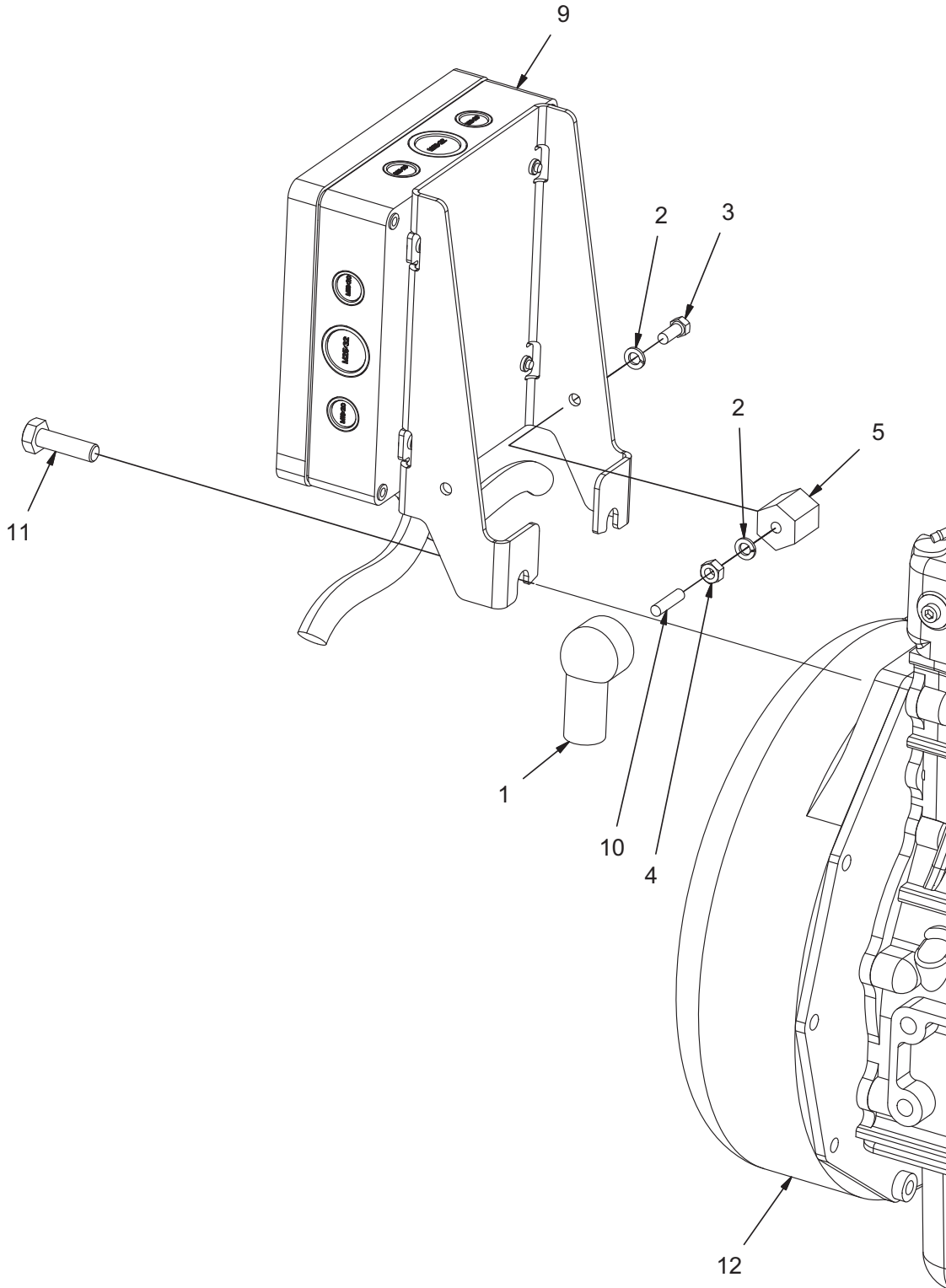


REV D

HI-DUMP INSTRUMENTATION GROUP TWO (770123)

Parts List - 770123			
ITEM	PART NO.	QTY	DESCRIPTION
1	3400103	2	WASHER-LOCK 1/4 SPLIT ZP
2	3400172	2	NUT-JAM 10-32 ZP NYLOC
3	3400227	1	SCR-HH 1/4-20 X 1.25 ZP GR 5
4	3400291	2	SCR-HH M8-1.25 X 16 ZP CLASS 8.8
5	3400384	2	WASHER-CONICAL SPRING 5/16
6	600934	2	NUT-FLANGE WIZZ M8-1.25 ZP
7	710204	4	SCR-PHMS 6-32 X .50 ZP
8	710305	2	
9	710556	2	SCR-FHMS 10-32 X .75 ZP
10	711371	6	NUT-NYLOC 6-32 ZP
11	711373	1	NUT-NYLOC 1/4-20 ZP
12	711563	2	NUT-WING 1/4-20 NYLON
13	713001	2	SCR-HH 1/4-20 X .62 PLAIN GR 5
14	731227	1	COVER, FUSE PANEL
15	731228	1	SEAL, MAIN PANEL
16	731234	2	STANDOFF, PANEL, 1/4-20 X 2.00 LG ZINC
17	748430	1	TIMER
18	749036	1	HARNESS ASSY, HEADLIGHTS
19	748738	1	HARNESS ASSY, LT SIDE BMPR
20	748739	1	HARNESS ASSY, LT SIDE FRAME
21	748740	1	HARNESS ASSY, RT SIDE BMPR
22	748741	1	HARNESS ASSY, RT SIDE FRAME
23	748742	1	HARNESS ASSY, CONTROL
24	748743	1	HARNESS ASSY, SOLENOID
25	748744	1	WIRE ASSY, GROUND
26	748745	1	WIRE ASSY, GROUND
27	748746	1	WIRE ASSY, GROUND
28	748747	2	WIRE ASSY, RELAY
29	748748	1	WIRE ASSY, GROUND JUMPER
30	748749	1	JUMPER ASSY, SV2 NHD
31	748781	1	RELAY, 3PDT 12VDC 30A
32	748799	1	HARNESS, MAIN, NAUTILUS
33	748847	1	SOCKET, LATCHING RELAY
34	748848	1	RELAY, 2 COIL LATCHING
35	748961	1	RELAY, DPDT 12VDC 35A
36	748990	1	HARNESS, ENGINE
37	770582	1	MOUNT, HD ELECT COMPONENT
38	90286238	1	TERMINAL BLOCK, 2 STUD M6 63A
39	PART OF 748847	1	RETAINING CLIP
40	REFERENCE	1	HIGH DUMP MANIFOLD MOUNT

ELECTRICAL BOX GROUP - DIESEL (730156)

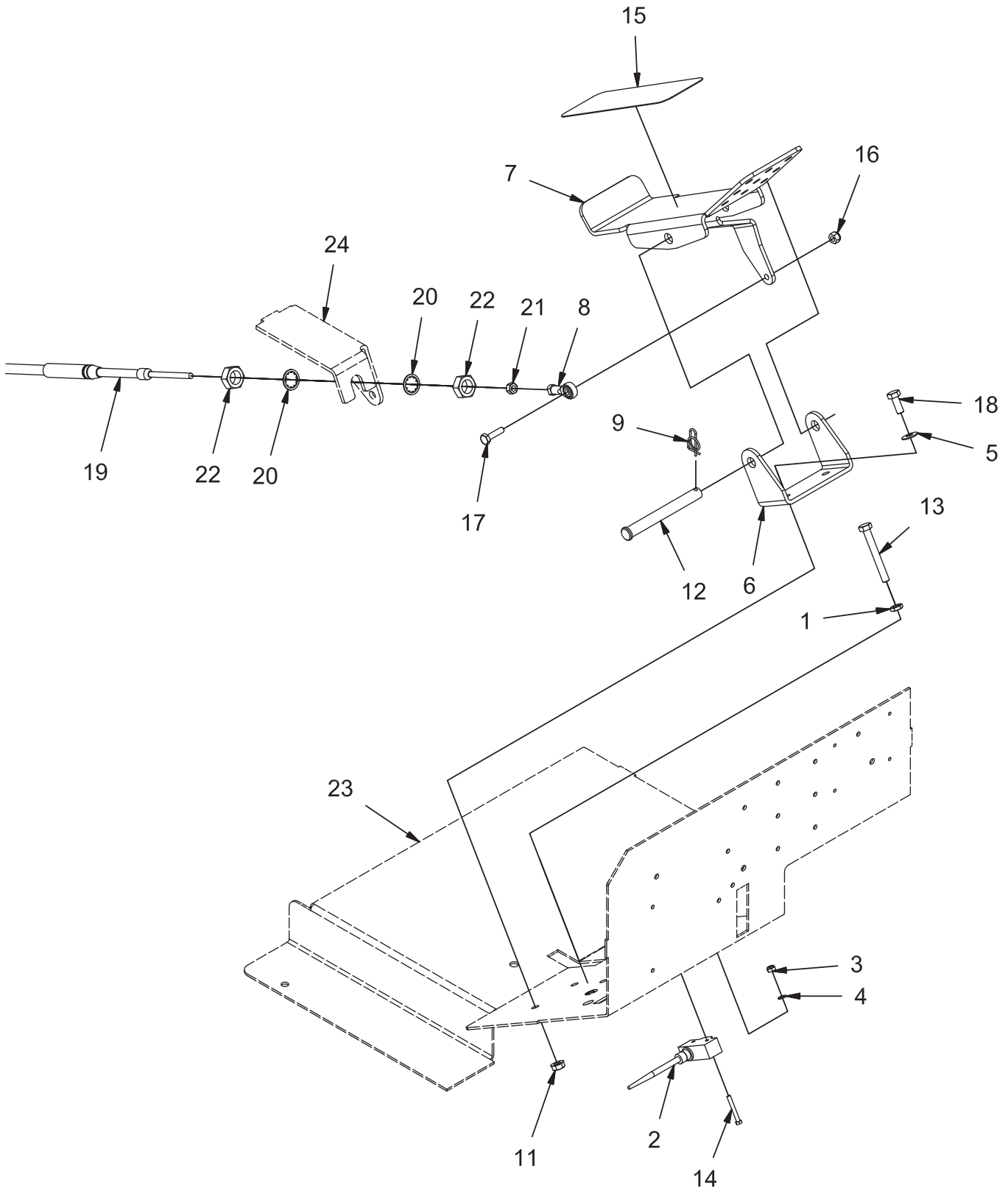


REV E

ELECTRICAL BOX GROUP - DIESEL (730156)

Parts List - 730156			
ITEM	PART NO.	QTY	DESCRIPTION
1	3342931	1	INSULATOR-BOOT RED
2	3400103	2	WASHER-LOCK 1/4 SPLIT ZP
3	711203	1	SCR-HH 1/4-20 X .62 ZP TAP
4	711316	1	NUT-HEX 1/4-20 ZP
5	740132	1	INSULATOR (ELECTRICAL)- 1/4-20 INSERT
***	748950	1	WIRE ASSY, OIL PRESS. SWITCH (NOT SHOWN)
***	748951	1	WIRE ASSY, WATER TEMP SWITCH (NOT SHOWN)
***	749056	1	HARNESS ASSY, ECU POWER (NOT SHOWN)
9	770679	1	DIESEL CONTROL BOX
10	833638	1	BRASS STUD- 1/4-20 X 1"
11	REFERENCE	1	BOLT
12	REFERENCE	1	ENGINE

DIRECTIONAL CONTROL GROUP (730110)

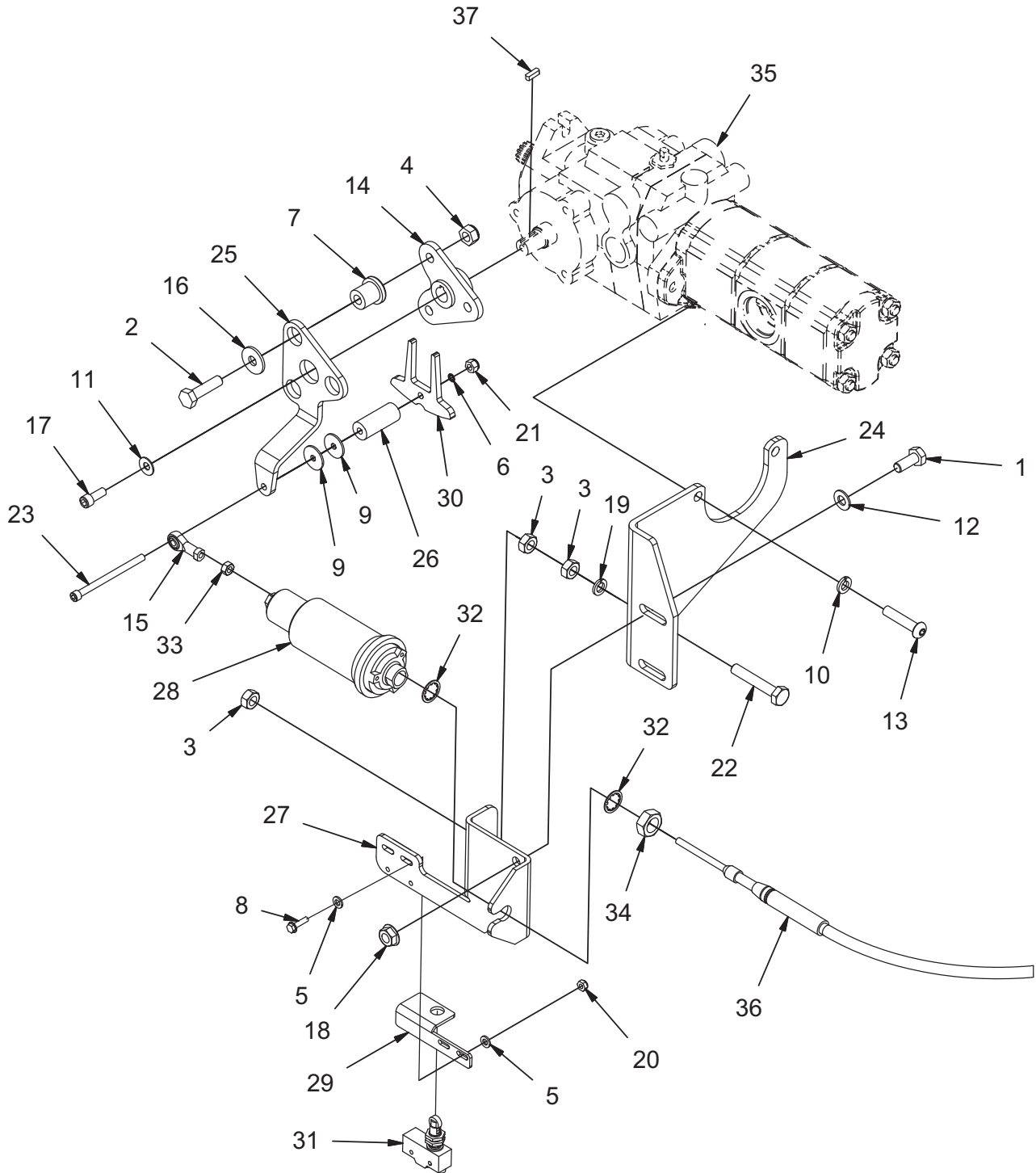


REV D

DIRECTIONAL CONTROL GROUP (730110)

Parts List - 730110			
ITEM	PART NO.	QTY	DESCRIPTION
1	12012019	1	NUT, M8-1.25 JAM
2	3342546-1	1	HARNESS, SWITCH, WHISKER
3	3400082	2	NUT, FIBER INSERT #8-32
4	3400096	2	FLATWASHER, #8
5	3400384	2	WASHER, 5/16 BELLEVILLE
6	600134	1	BRACKET, F/R PEDAL
7	600135	1	PEDAL, F/R
8	600175	1	ROD END, FEM 1/4-28
9	600578	1	RUE-RING, .50
10	600851	1	M8-1.25 INSERT, .125 GRIP
11	600934	2	NUT, M8-1.25 FLNG
12	620027	1	PIN, CLEVIS 1/2 X 4.50
13	620033	1	BOLT, M8-1.25 X 65 HH
14	620136	2	BOLT, #8-32 X 1.25 HH ZP
15	620179	1	PAD, F/R PEDAL
16	711373	1	NUT, FIBER INSERT 1/4-20
17	713003	1	SCREW, 1/4-20 X 1.00 HH
18	717024	2	BOLT, M8-1.25 X 20 HH
19	730356	1	CABLE, JACKETED, 92.50 OAL
20	PART OF 730356	2	LOCKWASHER
21	PART OF 730356	1	NUT, 1/4-28
22	PART OF 730356	2	NUT, 5/8-18, JAM
23	REFERENCE	1	CONSOLE
24	REFERENCE	1	FRAME

PUMP LINKAGE GROUP (730111)

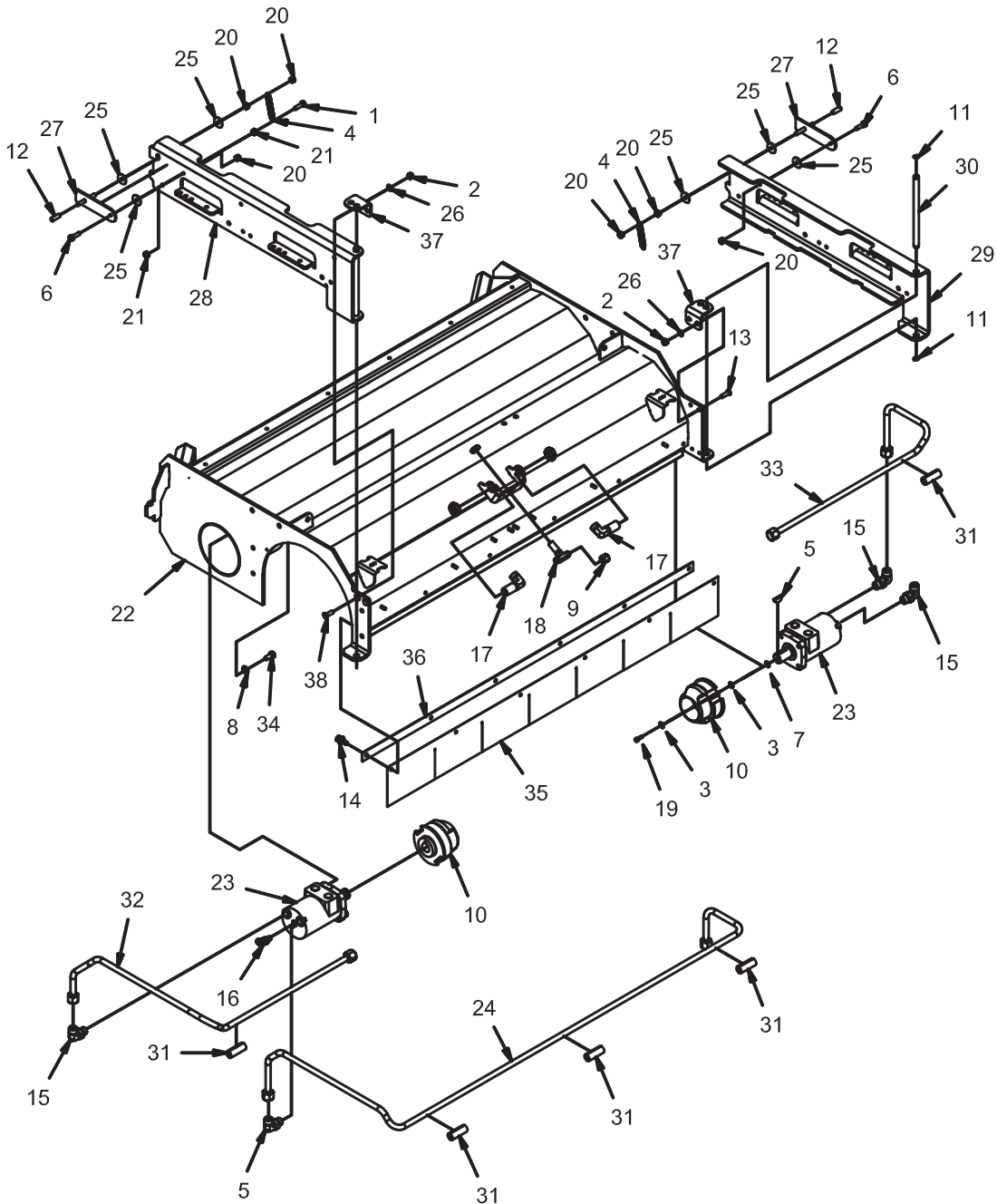


REV G

PUMP LINKAGE GROUP (730111)

Parts List - 730111			
ITEM	PART NO.	QTY	DESCRIPTION
1	11038346	2	SCR-HH M10-1.5 X 25 ZD CLASS 8.8
2	11038395	3	SCR-HH M10-1.5 X 40 ZP CLASS 8.8
3	12022067	3	NUT-HEX M10 X 1.5 ZD CLASS 8
4	12040069	3	NUT-NYLOC M10 X 1.5 ZD CLASS 6
5	12310256	4	WSR-FLT 6.4X12X1.6, SS DIN125
6	12518080	1	WSR-EXT LOCK M5.3 X 10 X 0.6 ZP
7	3300465	3	ISOLATOR-RUBBER (.375ID X .81OD)
8	3400044	2	SCR-HH 10-32 X .75 ZP SERR FLANGE
9	3400090	2	WASHER-FENDER 1/4 X 1.00 ZP
10	3400101	2	WASHER-LOCK 3/8 SPLIT ZP
11	3400384	1	WASHER-CONICAL SPRING 5/16
12	3400385	2	WASHER-CONICAL SPRING 3/8
13	3401572	2	SCR-BHSCS 3/8-16 X 1.75 ZP
14	600141	1	WELDMENT, DIR CONT HUB
15	600175	1	ROD END FEM 1/4-28
16	600363	3	WASHER-FLAT .39 X 1.12 X .1 ZP
17	600895	1	SCR-SHCS 5/16-24 X .75 ZP
18	600936	2	NUT-FLANGE WIZZ M10-1.50 ZP
19	600945	1	WASHER-LOCK M10
20	711350	2	NUT-NYLOC 10-32 ZP
21	711373	1	NUT-NYLOC 1/4-20 ZP
22	730481	1	SCR-HH M10-1.50 X 60 ZP CLASS 8.8
23	730699	1	SCR-SHCS 1/4-20 X 3.50 ZP
24	730714	1	MOUNT, HYDROBACK
25	730715	1	ARM, DIR CONT DG
26	731108	1	SPACER, .266 B .750 OD 1.81 T
27	731109	1	ADJUSTER, HYDROBACK W/SW MOUNT
28	731181	1	HYDROBACK CENTERING UNIT, 10 LB
29	731394	1	BRACKET, NEUTRAL SWITCH
30	731395	1	CAM, NEUTRAL, NAUTILUS
31	749009	1	SWITCH ASSY, ROLLER PLUNGER
32	PART OF CABLE ASSY	2	LOCKWASHER
33	PART OF CABLE ASSY	1	NUT, 1/4-28
34	PART OF CABLE ASSY	1	NUT, 5/8-18, JAM
35	REFERENCE	1	PUMP, PROPULSION
36	REFERENCE	1	CABLE, PUSH-PULL
37	WITH PUMP	1	KEY

SCRUB HEAD GROUP (730112)

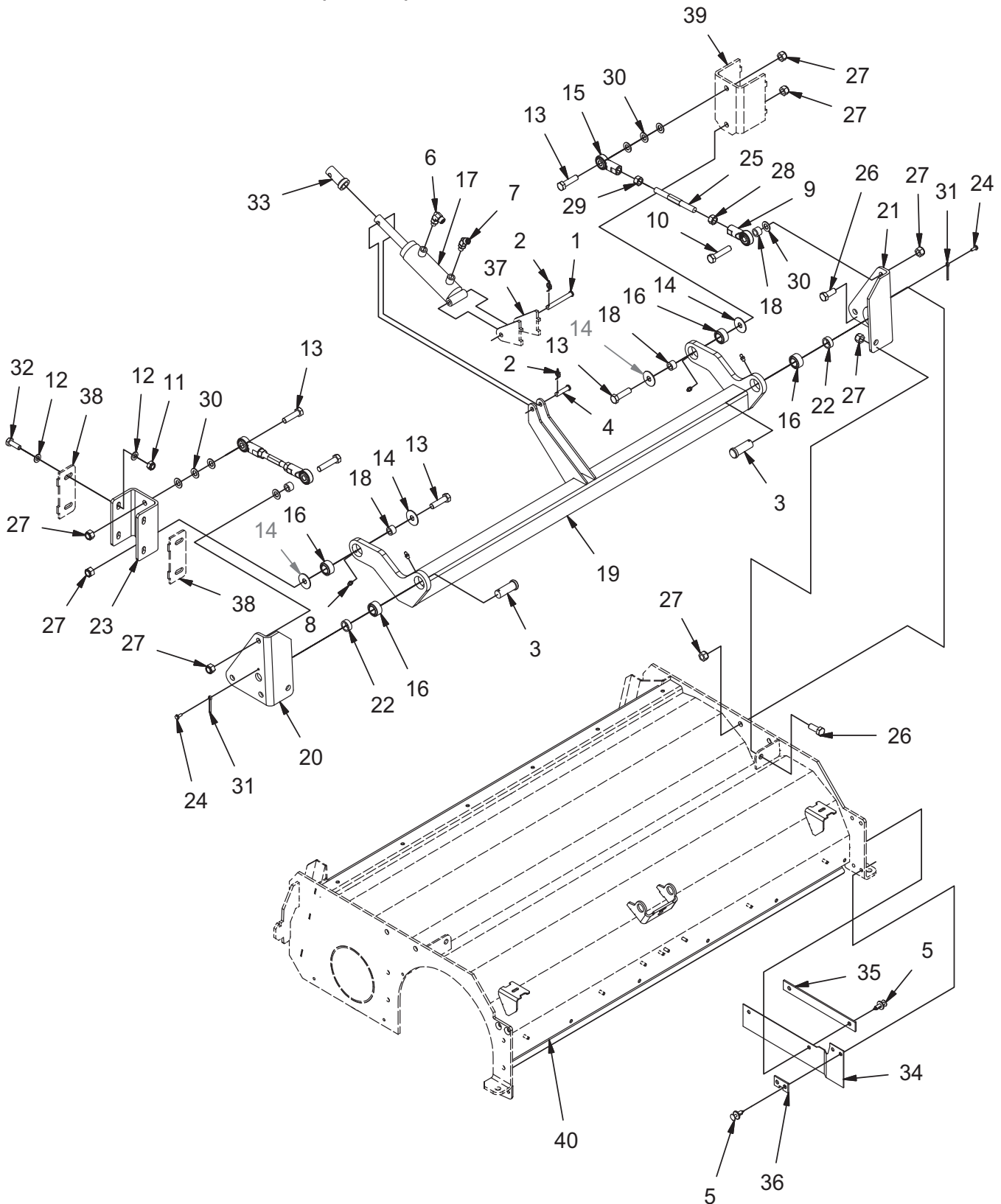


REV H

SCRUB HEAD GROUP (730112)

Parts List - 730112			
ITEM	PART NO.	QTY	DESCRIPTION
1	11039567	1	BOLT, M8-1.25 X 25 HH SS
2	12040259	4	NUT, M8-1.25 ESN SS
3	712761	4	WASHER-FENDER 1/4 X 1.25 X .059 SS
4	3304160	2	SPRING, EXT
5	3330338	2	KEY, WOODRUFF .25 X .50
6	3400318	2	BOLT, 5/16-18 X 1.00 HH SS
7	3400383	2	WASHER, 1/4 BELLEVILLE
8	3400385	8	WASHER, 3/8, BELLEVILLE
9	675605	1	FITTING, CAP -4 ORFS
	600337		HUB, MAIN BROOM DRIVE (PRIOR TO S/N 18PB1783)
10	731304-1	2	HUB, MAIN BROOM DRIVE (MUST BUY K-731304-1 TO CONVERT (STARTING S/N 18PB1783)
11	600569	4	RETAINING RING, EXT .50 HD
12	600910	2	CAP
13	600917	2	SCREW, M8-1.25 X 25 BUTTON HD CAP SS
14	600965	6	FASTENER, PRESS-IN
15	675523	4	FITTING, 90, -8 ORFS - 8 SAE
16	675541	1	FITTING, 45, 4 ORFS - 4 SAE
17	675544	2	FITTING, 90, BULKHEAD 8 ORFS - 8 ORFS
18	675607	1	FITTING, BULKHEAD TEE - 4 ORFS - 4 ORFS
19	712562	2	SCR-HH 1/4-20 X .75, 18-8 SS
20	712683	6	NUT, 5/16-18 ESN SS
21	717029	2	NUT, M8-1.25 SS
22	730325MBC	1	WELDMENT, SCRUB HEAD
23	730343	2	MOTOR, 4.5 DISP
24	730348	1	ASSEMBLY, CROSS TUBE
25	730526	6	WASHER, M8 FENDER SS
26	730609	4	WASHER, M8 SS
27	730622	2	WELDMENT, DOOR LATCH
28	730626	1	SQU MNT CHANNEL, RH
29	730627	1	SQU MNT CHANNEL, LH
30	730642	2	SHAFT, .50 D X 8.00 L
31	730685	5	GUARD, HOSE
32	730775	1	ASSEMBLY, RH MOTOR TUBE
33	730776	1	ASSEMBLY, LH MOTOR TUBE
34	730959	8	SCREW, 3/8-16 X .750 HHC SS
35	730982	1	SKIRT, SCRUB HEAD
36	730983	1	STRAP, RETAINER
37	731131	2	HINGE, ADJ
38	731139	2	SCREW, M8-1.25 X 25 FHCS SS

SCRUB BRUSH LIFT GROUP (730113)

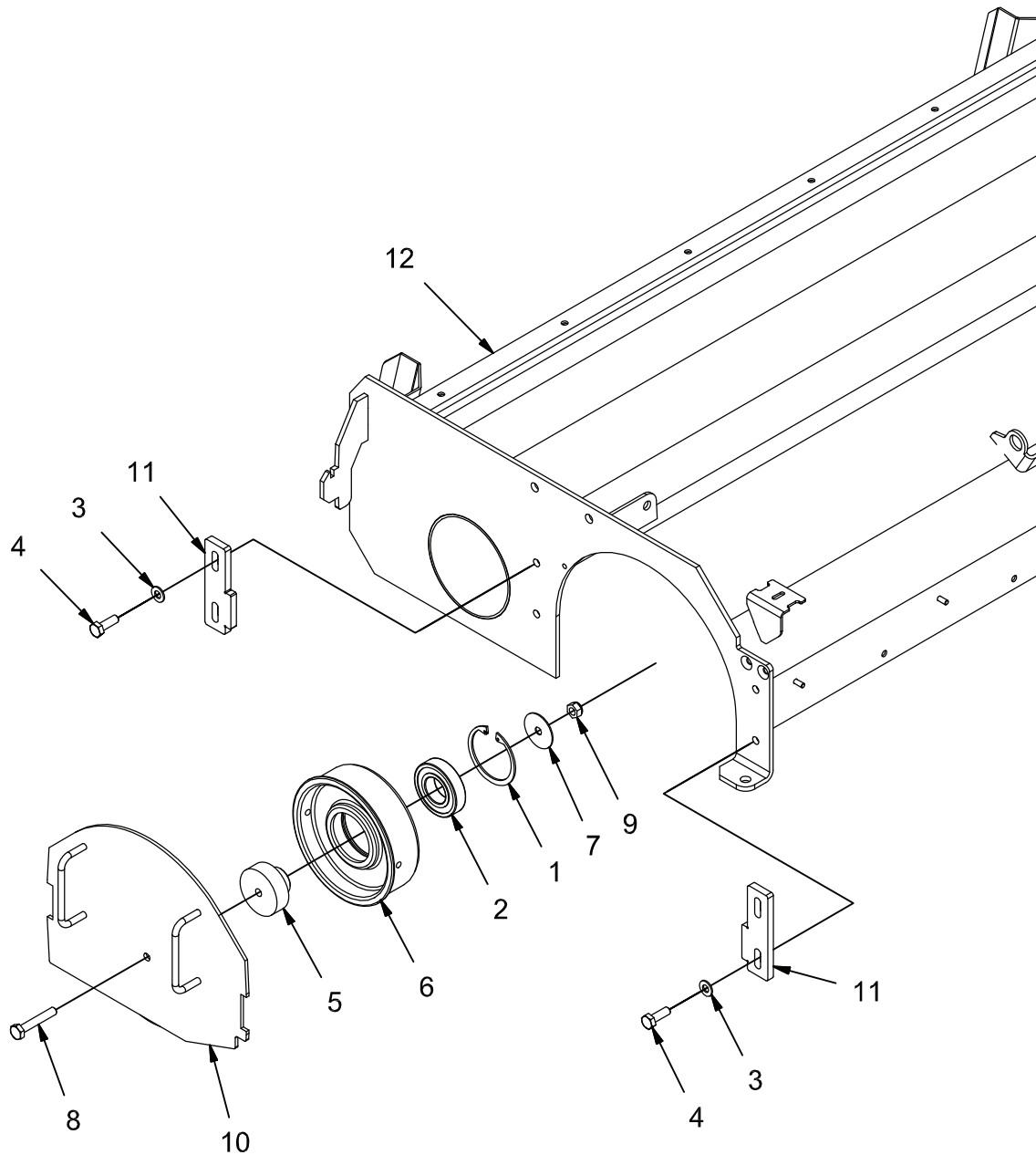


REV D

SCRUB BRUSH LIFT GROUP (730113)

Parts List - 730113			
ITEM	PART NO.	QTY	DESCRIPTION
1	3400115	1	PIN-CLEVIS 3/8 X 3.00 ZP
2	3400125	2	RING-RUE 3/8
3	3400439	2	PIN-CLEVIS 3/4 X 2.00 ZP
4	600573	1	PIN-CLEVIS 3/8 X 1.50 ZP
5	600965	4	FASTENER-PUSH TYPE RETAINER
6	675507	1	FTG-ORFS 90 ELBOW -4 -4 SAE
7	675541	1	FTG-ORFS 45 ELBOW -4 -4 SAE
8	710006	4	FTG-GREASE, 1/4-28 THREAD-FORMING
9	714638	2	ROD END, M12 LH
10	714648	2	SCR-HH M12-1.75 X 55 SS
11	730339	4	NUT-NYLOC M10-1.50 SS
12	730344	8	WASHER-FLAT M10 SS
13	730516	4	SCR-HH M12-1.75 X 45 SS
14	730528	4	WASHER-FENDER M12 X 37 SS
15	730544	2	ROD END, FEM, M12-1.75
16	730547	4	BEARING, SPHERICAL
17	730548	1	CYLINDER-1.5 BORE X 2.88 STROKE
18	730549	4	SPACER, .484 B .746 OD .500 T
19	730590	1	WELDMENT, SH LIFT ARM BLK
20	730594	1	WELDMENT, SH LIFT BRACKET RH BLK
21	730597	1	WELDMENT, SH LIFT BRACKET LH BLK
22	730599	2	SPACER, .760 B 1.00 OD .375 T
23	730600	1	CHANNEL, SH ADJ MNT
24	730601	2	SCR-HH 10-32 X .50 SS F POINT WSHR HD
25	730603	2	ROD, ADJ
26	730604	6	SCR-HH M12-1.75 X 30 SS FULL THREAD
27	730605	12	NUT-NYLOC M12-1.75 SS
28	730606	2	NUT-HEX M12-1.75 SS LEFT-HAND THREAD
29	730607	2	NUT-HEX M12-1.75 SS
30	730608	8	WASHER-FLAT M12 SS
31	730610	2	PIN-COTTER .156 X 1.25 SS
32	730878	4	SCR-HH M10-1.50 X 30 SS
33	731194	1	TUBE, STOP
34	731362	1	SKIRT, SIDE
35	731363	1	SKIRT RETAINER, REAR
36	731364	1	SKIRT RETAINER, FRONT
37	REFERENCE	1	FRAME
38	REFERENCE	1	FRAME
39	REFERENCE	1	FRAME
40	REFERENCE	1	SCRUB HEAD

SCRUB BRUSH IDLER GROUP (730114)

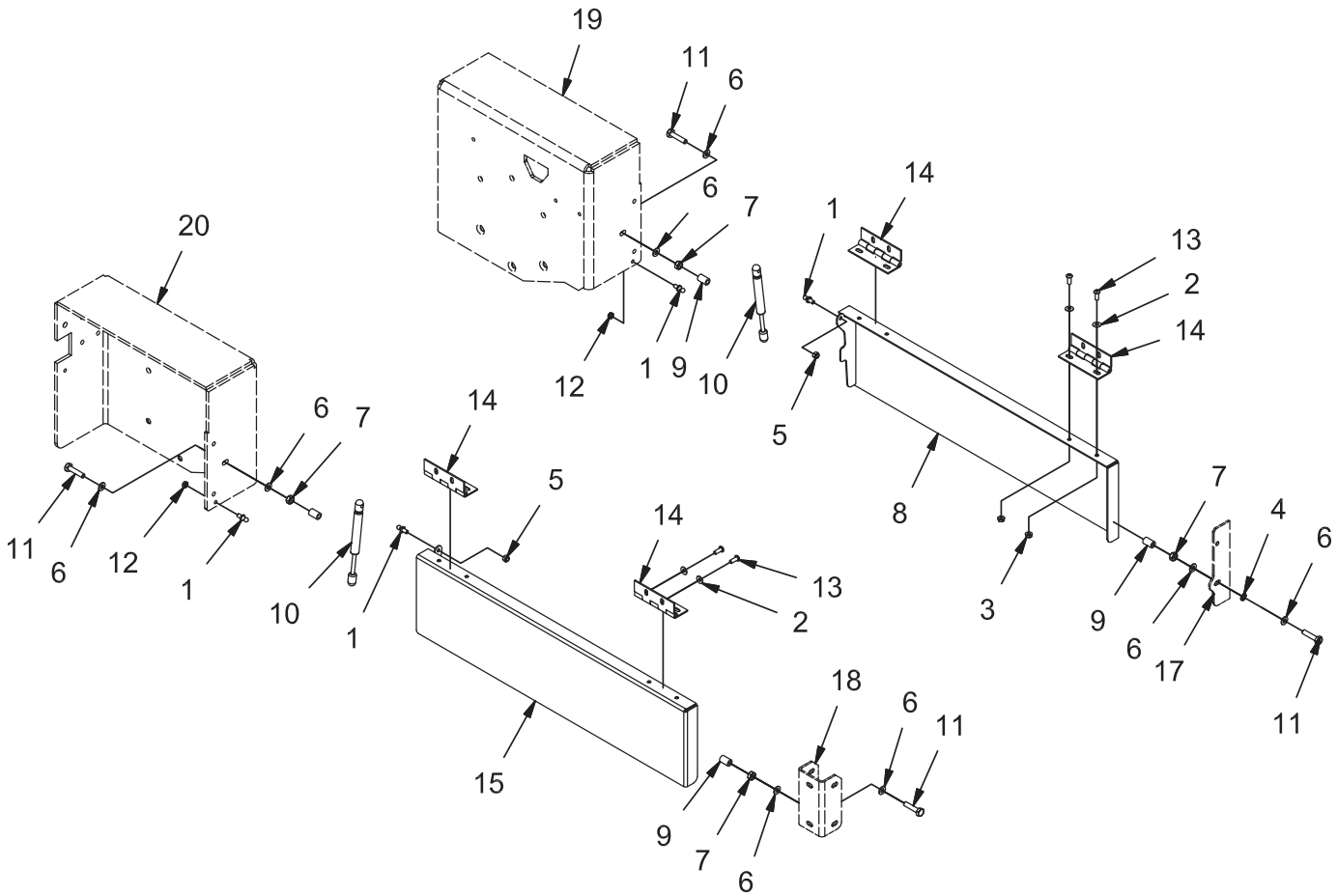


REV C

SCRUB BRUSH IDLER GROUP (730114)

Parts List - 730114			
ITEM	PART NO.	QTY	DESCRIPTION
1	3305666	2	RING, RETAINING, INT
2	3305667	2	BEARING, BALL, 207PP
3	3400385	8	WASHER, 3/8, BELLEVILLE
4	730878	8	BOLT, M10-1.50 X 30 HH SS
5	600544	2	MOUNT, BEARING
6	620083	2	IDLER, MAIN BROOM
7	712768	2	WSR-FLT .406 X 1.875 SS
8	730323	2	BOLT, M10-1.50 X 60 HH SS
9	730339	2	NUT, M10-1.50 ESN SS
10	730341	2	WELDMENT, BRUSH RETAINER
11	730613	4	PLT, ADJ
12	REFERENCE	1	SCRUB HEAD

BRUSH DOOR GROUP (730115)

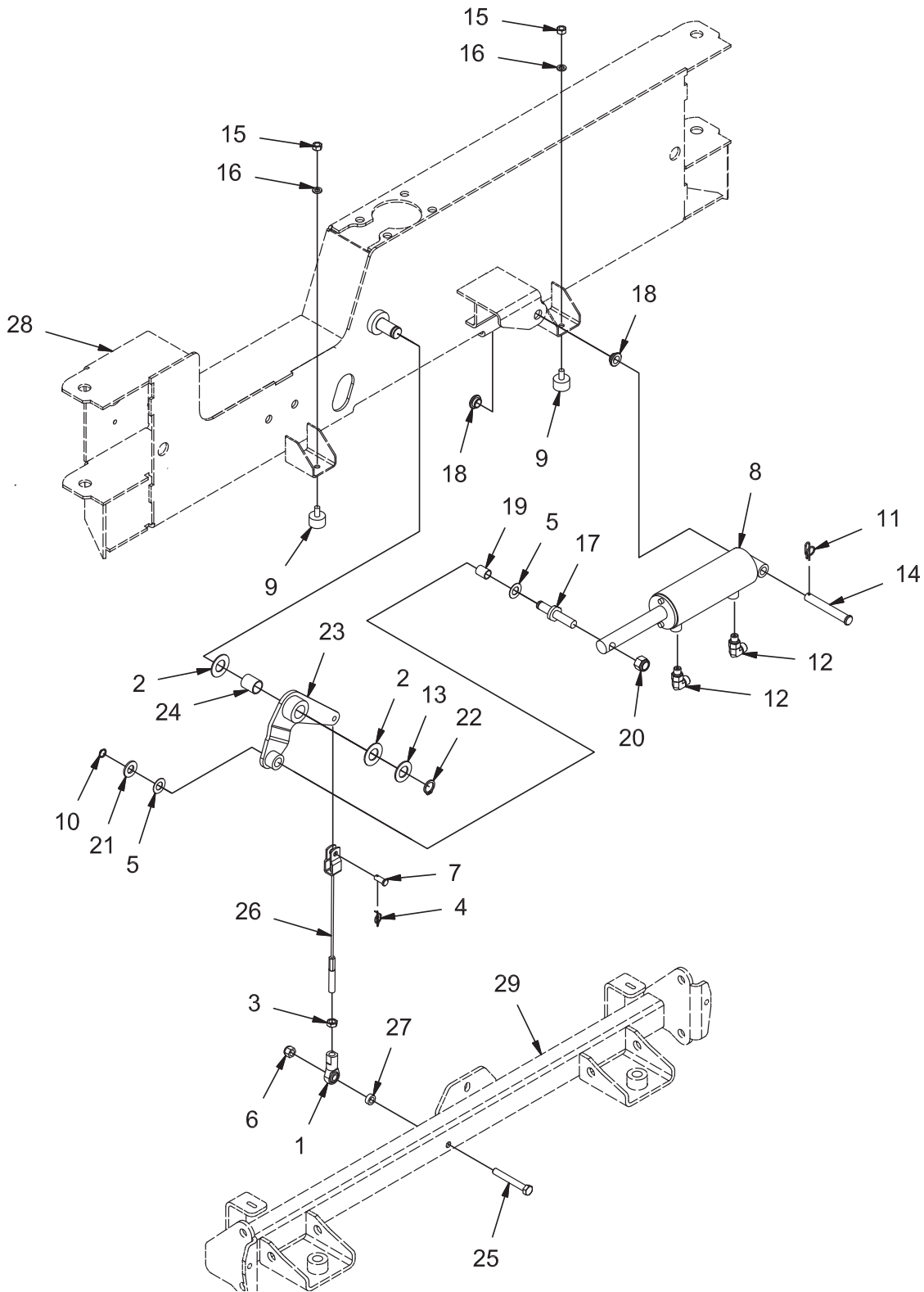


REV C

BRUSH DOOR GROUP (730115)

Parts List - 730115			
ITEM	PART NO.	QTY	DESCRIPTION
1	3300376	4	STUD, 10MM BALL
2	3400384	16	WASHER, 5/16 BELLEVILLE
3	600934	8	NUT, M8-1.25 FLNG
4	600946	1	LOCK WASHER, 3/8 INT STAR
5	712683	2	NUT, 5/16-18 ESN SS
6	730344	8	WASHER, M10 SS
7	730718	4	NUT, M10-1.50 HEX SS
8	730900	1	WELDMENT, LH BRUSH DOOR
9	730901	4	TUBING, STOP
10	730902	2	GAS STRUT, 8.77 EXT, 3.00 STK, 200N
11	730903	4	BOLT, M10-1.50 X 45 HH SS
12	730904	2	NUT, 5/16-18 HEX JAM SS
13	730905	16	SCREW, M8-1.25 X 20 BUTTON HD CAP SS
14	730906	4	HINGE' 5"
15	730952	1	WELDMENT, SSB DOOR
17	REFERENCE	1	FRAME
18	REFERENCE	1	FRAME
19	REFERENCE	1	FRAME
20	REFERENCE	1	FRAME

SQUEEGEE LIFT GROUP (770100)

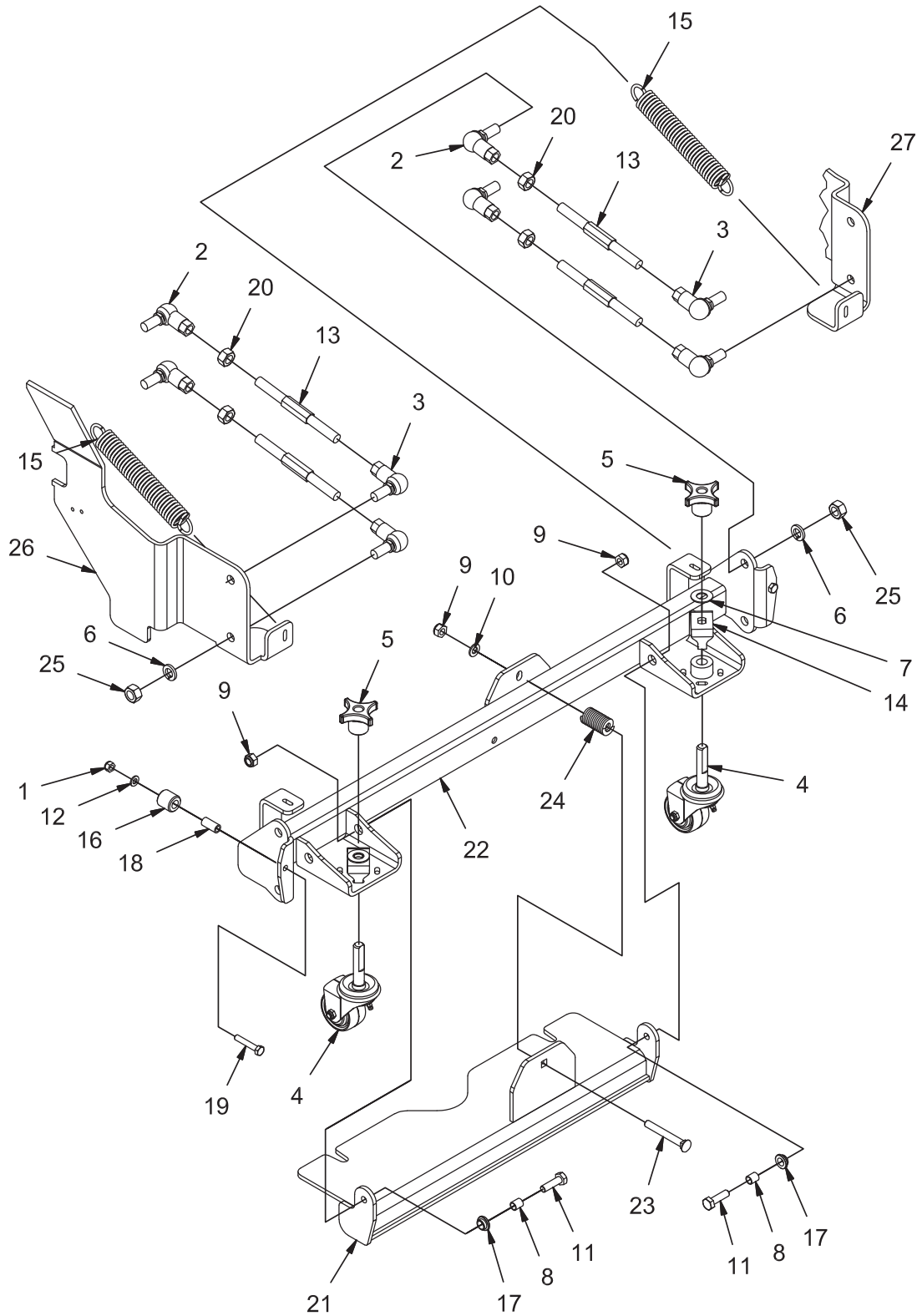


REV *

SQUEEGEE LIFT GROUP (770100)

Parts List - 770100			
ITEM	PART NO.	QTY	DESCRIPTION
1	3308762	1	ROD END-FEMALE 3/8-24
2	3313161	2	WASHER-3/4 FIBERGLIDE
3	3400075	1	NUT-JAM 3/8-24 ZP
4	3400125	1	RING-RUE 3/8
5	3400178	2	BEARING-THRUST .531 ID X 1.00 OD
6	3400340	1	NUT-NYLOC 3/8-16 SS
7	450034	1	PIN-CLEVIS 5/16 X .75 ZP
8	600106	1	CYLINDER-HOPPER DOOR
9	600220	2	BUMPER 1.00X0.625T
10	600569	1	RET RING-EXT .50 HD
11	600578	1	RING-RUE .50 ZP
12	675507	2	FTG-STR THD ELBOW -4 ORFS TO -4 SAE
13	711512	1	WASHER-FLAT 3/4 X 1.37 X .08 ZP
14	712098	1	PIN-CLEVIS 1/2 X 3.5
15	712680	2	NUT-HEX 5/16-18 SS
16	730527	2	WASHER-LOCK M8 SS
17	730741	1	PIN, SQU LIFT
18	730750	2	BUSHING, BRONZE, .50 B .62 OD .31
19	730752	1	FIBERGLIDE BEARING, .50 ID, .75
20	730756	1	NUT-NYLOC 1/2-13 SS
21	730759	1	WASHER-FLAT 1/2 SS
22	730877	1	RET RING-EXT .750
23	770325	1	WELDMENT, BELLCRANK
24	770328	1	BEARING, FIBERGLIDE .75 ID 1.00
25	770330	1	SCR-HH 3/8-16 X 2.75 SS
26	770332	1	CABLE ASSEMBLY
27	770333	1	SPACER, .380 B .625 OD .250
28	REFERENCE	1	REAR BUMPER
29	REFERENCE	1	SQUEEGEE RAIL

SQUEEGEE LINKAGE GROUP (770101)

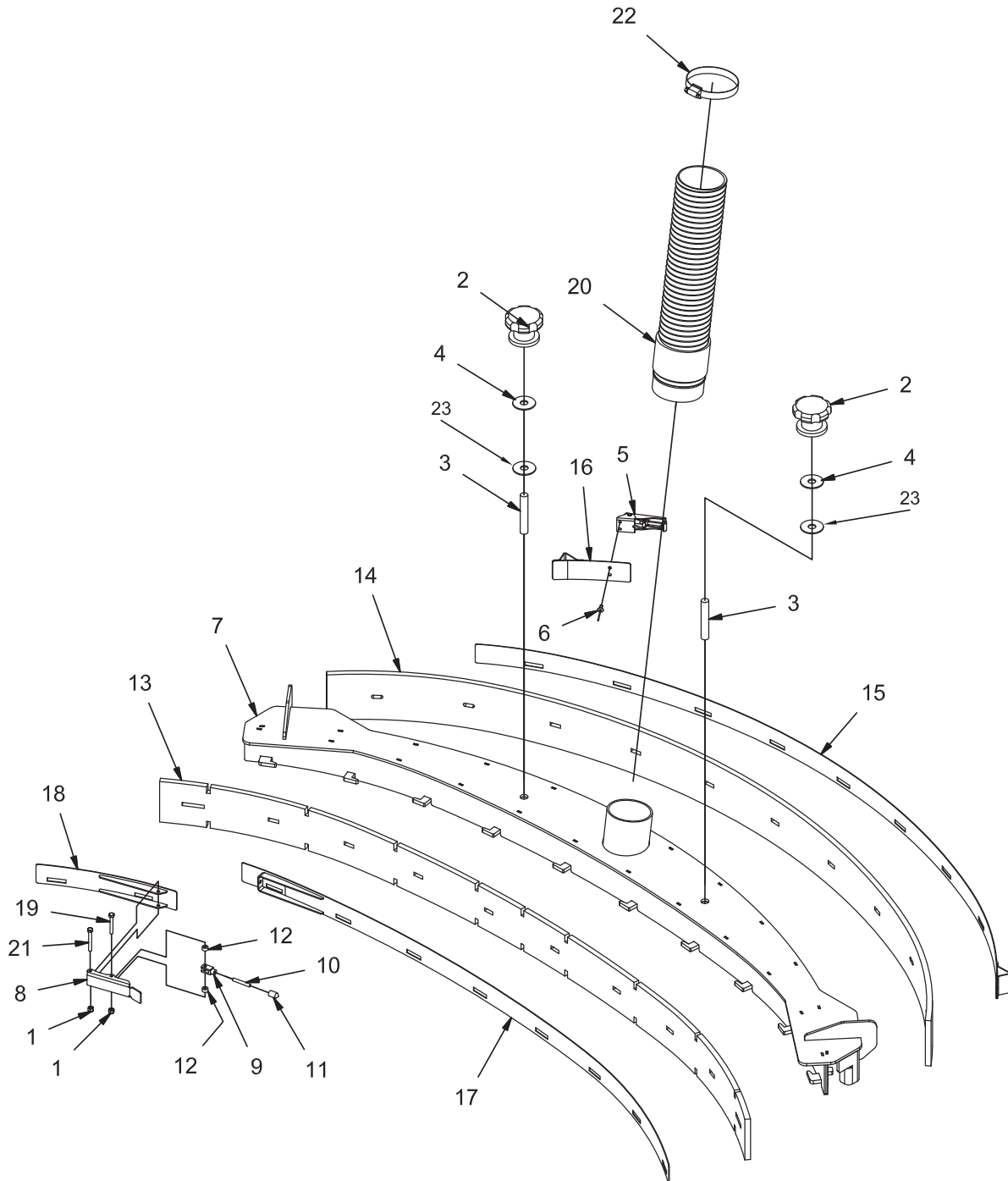


REV B

SQUEEGEE LINKAGE GROUP (770101)

Parts List - 770101			
ITEM	PART NO.	QTY	DESCRIPTION
1	12040259	2	NUT, M8-1.25 ESN SS
2	16046054	4	ROD END, M14 RH THRDS
3	16046062	4	ROD END, M14 LH THRDS
4	3343816	2	CASTER
5	3343819	2	KNOB
6	3400414	8	LOCK WASHER, 9/16 HS MED
7	3401543	2	WASHER-EXT 1/2 ZP RIP STYLE
8	600525	2	SPACER, .406 B .50 OD .57 T
9	730339	3	NUT, M10-1.50 ESN SS
10	730344	1	WASHER, M10 SS
11	730345	2	BOLT, M10-1.50 X 35 HH SS
12	730609	2	WASHER, M8 SS
13	730662	4	ROD, SQUEEGEE
14	730668	2	KEEPER, CASTER ADJUSTMENT
15	730742	2	SPRING, EXT, .160 W 1.25 OD 10.25 L SS
16	730744	2	ROLLER, SQU
17	730750	2	BUSHING, BRONZE, FLANGED
18	730751	2	SPACER, .344 B .500 OD 1.06 T
19	730754	2	BOLT, M8-1.25 X 45 HH SS
20	731176	4	NUT, M14-1.50 HEX SS
21	770313	1	WELDMENT, SQU MNT
22	770318	1	WELDMENT, SQU RAIL
23	770329	1	CARRIAGE BOLT, M10-1.5 X 80 SS
24	770331	1	SPRING, 1.00 OD, .50 ROD ID, 2.00L
25	PART OF ROD END	8	NUT, M14-1.50 HEX SS
26	REFERENCE	1	LIFT ARM
27	REFERENCE	1	LIFT ARM

SQUEEGEE GROUP (730118)

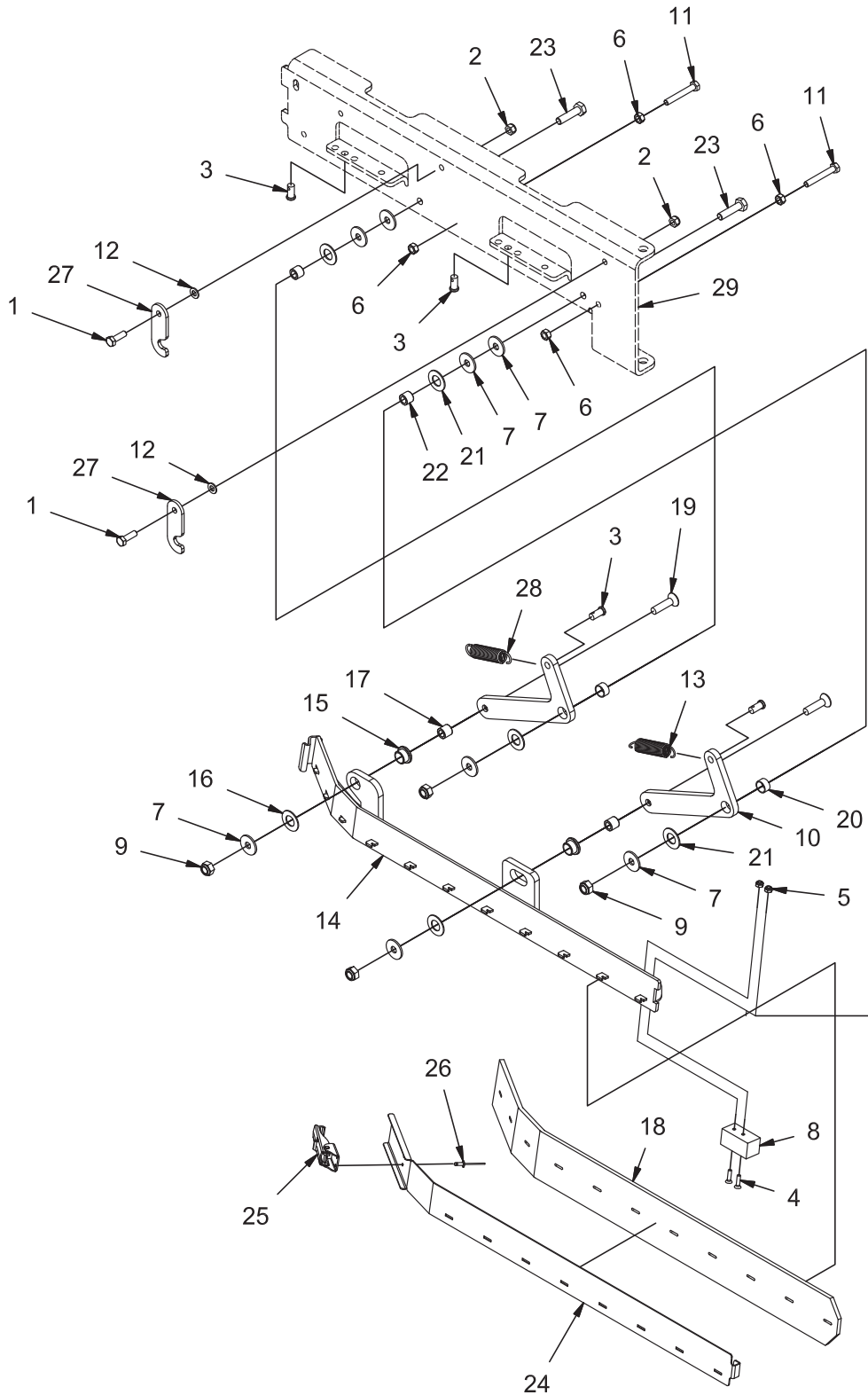


REV F

SQUEEGEE GROUP (730118)

Parts List - 730118			
ITEM	PART NO.	QTY	DESCRIPTION
1	12040283	2	NUT, M5 - 0.8 ESN SS
2	3343814	2	KNOB
3	3343903	2	STUD, 1/2-13 X 3.00 SS
4	3400091	2	WASHER-FENDER 1/2 X 2.00 ZP
5	730652	1	LATCH, UNDER CENTER
6	730654	2	RIVET,BLIND, .156 D X .062 - .125 GRIP SS
7	730764	1	WELDMENT, SQUEEGEE
8	730780	1	LATCH, BODY
9	730781	1	CLEVIS, M5-0.8
10	730782	1	ROD, M5-0.8
11	730783	1	ROD, NOSE
12	730784	2	SPACER, .203 B .375 OD .210 T
13	730787	1	SQUEEGEE BLADE, FRONT
14	730788	1	SQUEEGEE BLADE, REAR
15	730791	1	WELDMENT, REAR RETAINER
16	730796	1	WELDMENT, REAR RETAINER, SHORT
17	730798	1	WELDMENT, FRONT RETAINER
18	730800	1	WELDMENT, FRONT RETAINER, SHORT
19	730802	1	BOLT, M5-0.8 X 35 HH SS
20	730985	1	ASSEMBLY, LOWER SQU HOSE
21	731130	1	BOLT, M5-0.8 X 40 HH SS
22	731144	1	CLAMP, HOSE, 2.25 - 3.25
23	730992	2	WASHER-RUBBER .53 ID x 2.00 OD x .25 THK

SIDE SQUEEGEE GROUP - RH (730120)

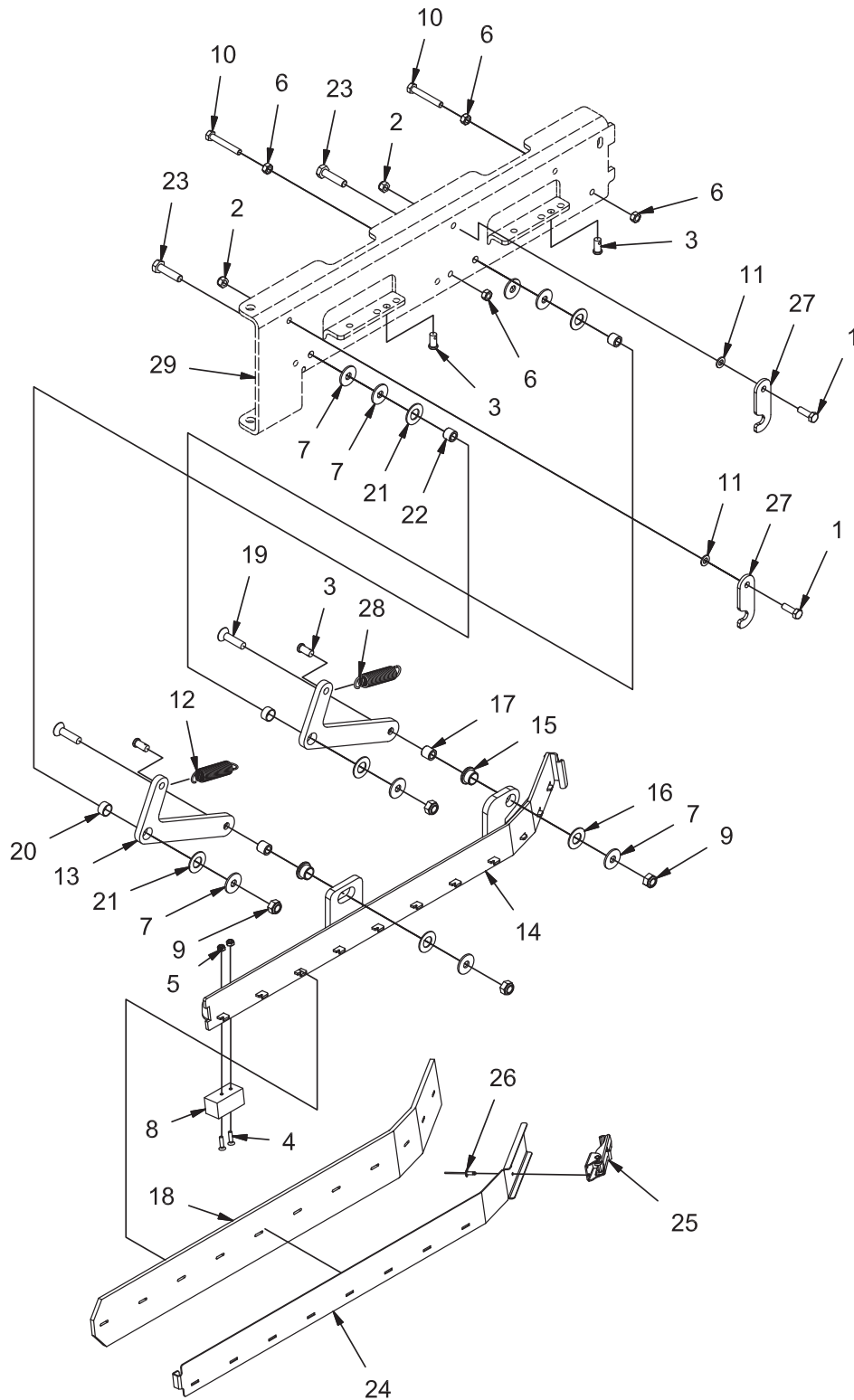


REV C

SIDE SQUEEGEE GROUP - RH (730120)

Parts List - 730120			
ITEM	PART NO.	QTY	DESCRIPTION
1	11039567	2	BOLT, MB-1.25 X 25 HH SS
2	12040259	2	NUT, MB-1.25 ESN SS
3	711679	4	PIN, CLEVIS, .375 X .75
4	712544	2	SCR-FHMS 10-24 X 3/4 SS
5	712638	2	NUT-NYLOC 10-24 SS
6	717029	4	NUT, MB-1.25 SS
7	717040	8	WASHER, FENDER, .413 B 1.18 OD .098 T SS
8	730063	1	BLOCK, SIDE SQUEEGEE SLIDER
9	730339	4	NUT, M10-1.50 ESN SS
10	730346	2	ARM, SIDE SQU, RH
11	730507	2	BOLT, MB-1.25 X 55 HH SS
12	730609	2	WASHER, MB SS
13	730619	1	SPRING, EXT, .07 W .75 OD 3.50 L SS
14	730630	1	WELDMENT, SQU MNT, RH
15	730640	2	BUSHING, BRONZE FLANGED
16	730641	2	WASHER, BACKED THRUST
17	730643	2	SPACER, .406 B .623 OD .570 T SS
18	730644	1	SQUEEGEE, SIDE
19	730645	2	SCREW, M10-1.50 X 40 FLAT HD SOC HD SS
20	730646	2	BEARING, DU, .63 B .72 OD .38 T
21	730647	4	WASHER, THRUST, .66 B 1.25 OD .06 T
22	730648	2	SPACER, .406 B .624 OD .515 T SS
23	730649	2	BOLT, M10-1.50 X 40 HH SS
24	730650	1	STRAP, RH SQU
25	730652	1	LATCH, UNDER CENTER
26	730654	2	RIVET.BLIND, .156 D X .062 - .125 GRIP SS
27	730990	2	LATCH, DOUBLE SCRUB
28	731183	1	SPRING, EXT, .09 W .75 OD 3.50 L SS
29	REFERENCE	1	SQUEEGEE MOUNT CHANNCEL, RH

SIDE SQUEEGEE GROUP - LH (730157)

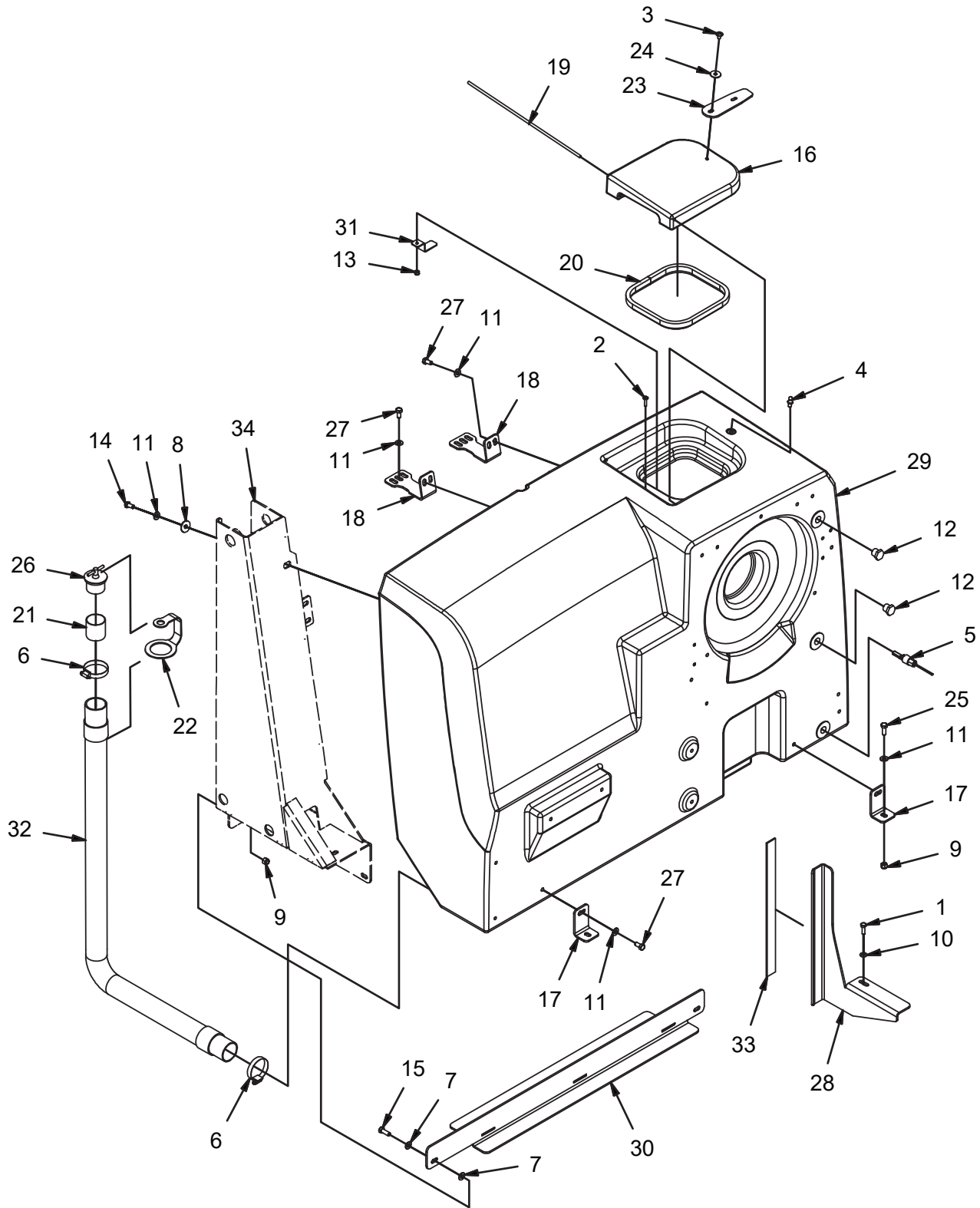


REV C

SIDE SQUEEGEE GROUP - LH (730157)

Parts List - 730157			
ITEM	PART NO.	QTY	DESCRIPTION
1	11039567	2	SCR-HH M8-1.25 X 25 SS
2	12040259	2	NUT-NYLOC M8 X 1.25 SS
3	711679	4	PIN-CLEVIS 3/8 X .750 ZP
4	712544	2	SCR-FHMS 10-24 X 3/4 SS
5	712638	2	NUT-NYLOC 10-24 SS
6	717029	4	NUT-HEX M8 X 1.25 SS
7	717040	8	WASHER-FLAT M10.5 X 30 X 2.5 SS
8	730063	1	BLOCK, SIDE SQUEEGEE SLIDER
9	730339	4	NUT-NYLOC M10-1.50 SS
10	730507	2	SCR-HH M8-1.25 X 55 SS
11	730609	2	WASHER-FLAT M8 SS
12	730619	1	SPRING, EXT, .07 W .75 OD 3.50 L SS
13	730620	2	ARM, SIDE SQU, LH BLK
14	730637	1	WELDMENT, SQU MNT, LH SS
15	730640	2	BUSHING, BRONZE FLANGED,
16	730641	2	WASHER, BACKED THRUST
17	730643	2	SPACER, .406 X .623OD .575T SS
18	730644	1	SQUEEGEE, SIDE, LINATEX, NAUTILUS
19	730645	2	SCR-FHSCS M10-1.50 X 40 SS
20	730646	2	BEARING, DU, .63B .72OD .38T
21	730647	4	WASHER, THRUST, .66B 1.25OD .06T
22	730648	2	SPACER, .406 X .624OD .515T SS
23	730649	2	SCR-HH M10-1.50 X 40 SS
24	730651	1	STRAP, LH SQU SS
25	730652	1	LATCH, UNDER CENTER
26	730654	2	RIVET-BLIND 5/32 .125 GRIP SS
27	730990	2	LATCH, DOUBLE SCRUB SS
28	731183	1	SPRING, EXT, .09 W .75 OD 3.50 L SS
29	REFERENCE	1	SQUEEGEE MOUNT CHANNCEL, LH

SOLUTION TANK GROUP (770104)

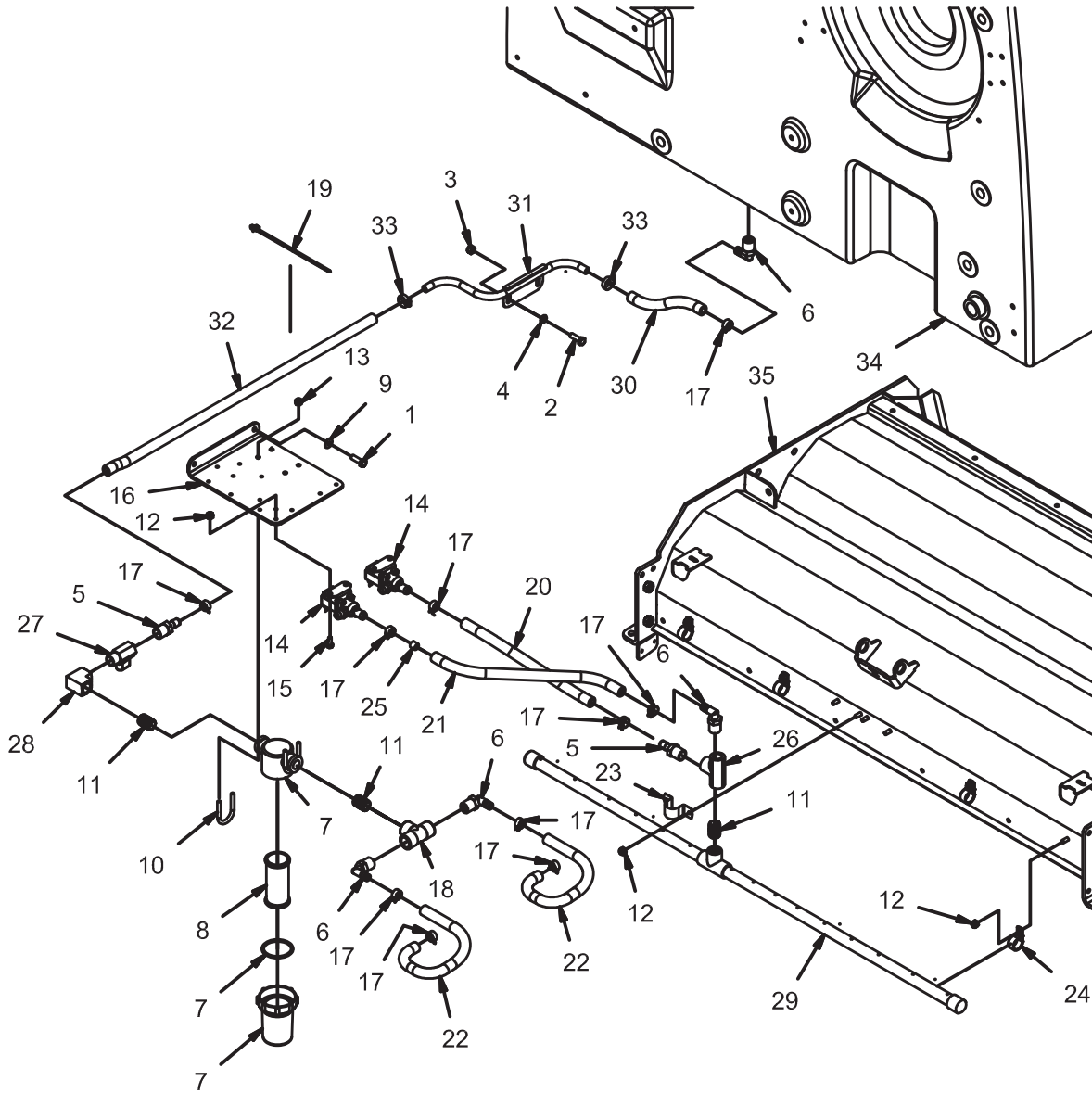


REV A

SOLUTION TANK GROUP (770104)

Parts List - 770104			
ITEM	PART NO.	QTY	DESCRIPTION
1	11038247	1	BLT-HH M8-1.25 X 25 STL ZINC
2	11177161	1	SCREW, M6-1.00 X 25
3	11177253	1	SC BHCS W/ FLANGE M8-1.25 X 12 SS
4	3300376	1	STUD, 10MM BALL
5	3302737-1	1	WIRE ASSY, SWITCH - LEVEL LS7
6	3312189	2	CLAMP, HOSE, 2.00
7	3400087	4	WASHER, 3/8
8	3400278	2	WASHER, FENDER, 3/8
9	3400340	4	NUT, 3/8-16 ESN SS
10	3400384	1	WASHER, 5/16 BELLEVILLE
11	3400385	10	WASHER, 3/8, BELLEVILLE
12	500122	2	1/2 NPT PLASTIC PLUG
13	600933	1	NUT, M6-1.00 ESN SS
14	713041	2	SCREW, 3/8-16 X .750 HHC
15	713042	2	SCREW, 3/8-16 X 1.000 HHC
16	730480	1	COVER, ACCESS, SOL TANK
17	730491	2	BRACKET, TANK MNT
18	730492	2	BRACKET, TANK MNT
19	730493	1	ROD, SOL COVER
20	730494	1	SEAL, SOL COVER
21	730518	1	TUBE, SS
22	730520	1	LANYARD, CAP
23	730525	1	RETAINER, COVER
24	730526	1	WASHER, M8 FENDER SS
25	730529	2	SCREW, 3/8-16 X 1.00 HH SS
26	730531	1	PLUG, EXPANSION, 1.88
27	730959	6	SCREW, 3/8-16 X .750 HHC SS
28	731273-1	1	BRACKET, SUPPORT
29	770378	1	TANK, SOLUTION, HD
30	770447	1	WELDMENT, TANK SUPPORT
31	770460	1	INDICATOR, FULL TANK
32	770461	1	ASSEMBLY, SOL DRAIN HOSE
33	PART OF 731273-1	1	FRICTION STRIP 281470-1
34	REFERENCE	1	WELDMENT, RH PILLAR

SOLUTION CONTROL GROUP (770114)

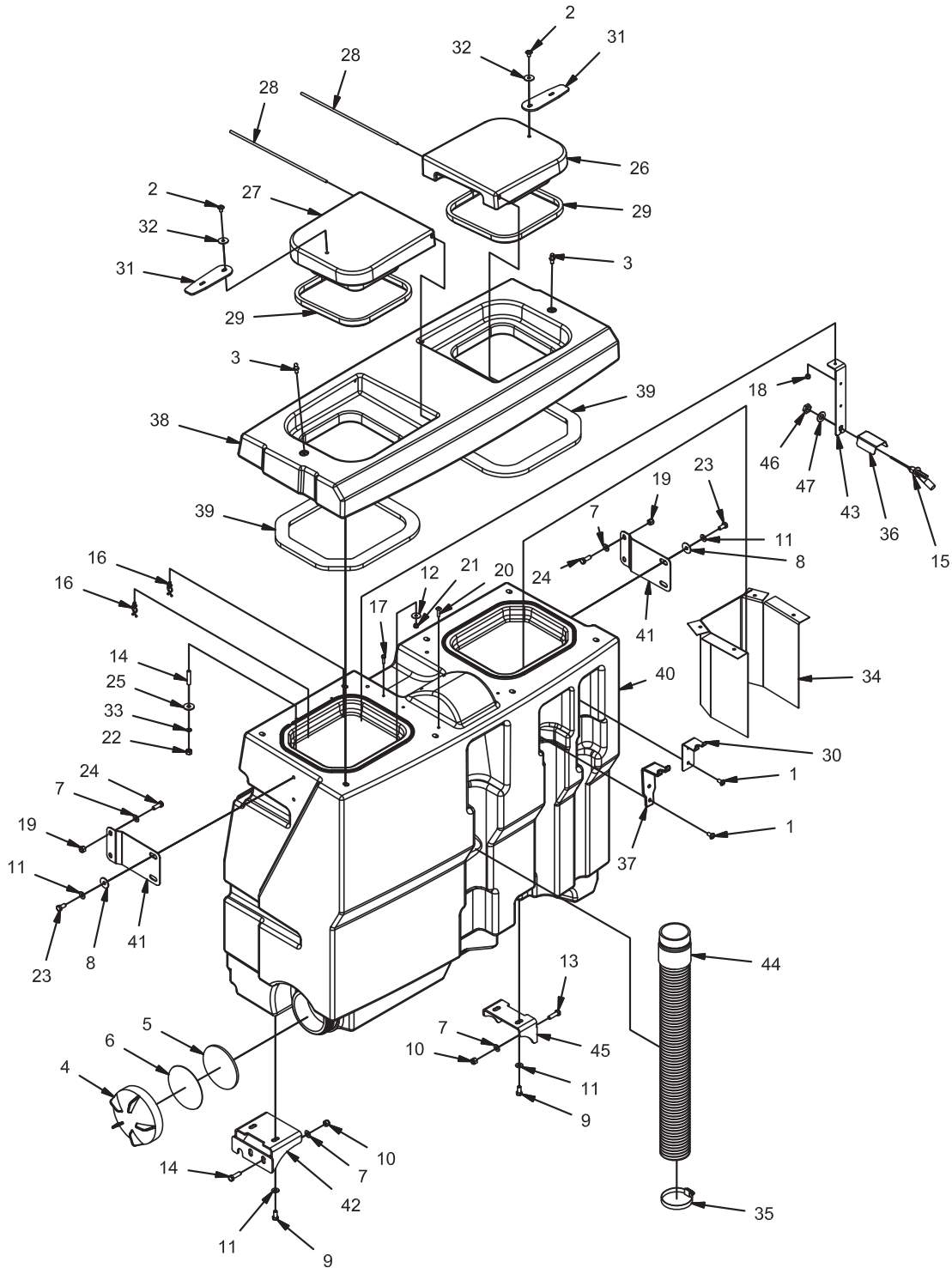


REV C

SOLUTION CONTROL GROUP (770114)

Parts List - 770114			
ITEM	PART NO.	QTY	DESCRIPTION
1	11038247	2	SCR-HH M8-1.25 X 25 ZP CLASS 8.8
2	11039567	2	SCR-HH M8-1.25 X 25 SS
3	12040259	2	NUT-NYLOC M8 X 1.25 SS
4	12310041	2	WASHER-FLAT M8.4 X 16 X 1.6 ZP
5	3315534	2	FTG-ADAPTER 1/2 MPT X 1/2 HB PP
6	3315535	4	FTG-ELBOW 90 1/2 MPT X 1/2 HB PP
7	3323501	1	FILTER-B50 MESH INLINE
8	3332264	1	SCREEN-40 MESH
9	3400384	2	WASHER-CONICAL SPRING 5/16
10	3401981	2	BLT-U 1/4-20 X3/4 ZP
11	383465	3	FTG-NIPPLE 1/2 MPT X 1-1/8 LG BRASS
12	600933	10	NUT-NYLOC M6-1.00 SS
13	712667	4	NUT-NYLOC 1/4-20 SS
14	730899	2	VALVE, SOLENOID, 12V W .406 DIA ORIFICE
15	730934	4	SCR-HH M6-1.00 X 16 SS FULL THREAD
16	730955	1	BRACKET, FILTER MNT ZP
17	730962	10	CLAMP, WIRE HOSE
18	730966	1	FTG-TEE FEMALE 1/2 NPT X 1/2 X 1/2 PVC
19	730968	4	TIE, MOUNTED CABLE
20	730971	1	TUBING, .50 ID X .13 WAL BRA VIN 18.5 IN
21	730972	1	TUBNG, .50 ID X .13 WAL BRD VIN 20.75 IN
22	730973	2	TUBING, .50 ID X .13 WAL BRD VINYL 14 IN
23	730974	1	CLAMP, CONDUIT, 1 IN
24	731218	4	CLAMP, .88 HOSE
25	731244	1	ORIFICE, SOLUTION
26	731309	1	FTG-TEE FEMALE 1/2 NPT X 1/2 X 1/2 PVC
27	731378	1	BALL VALVE, 1/2 IN NPT, BRASS
28	731380	1	FTG, ELBOW, 1/2 IN FNPT, BRASS
29	731389	1	SOLUTION DELIVERY BAR
30	770524	1	TUBING, .50 ID X 6.75 VINYL
31	770525	1	WELDMENT, SOLUTION TUBE
32	770529	1	TUBING, .50 ID X 28.00 VINYL
33	829129	2	CLAMP-HOSE WORM
34	REFERENCE	1	SOLUTION TANK
35	REFERENCE	1	SCRUB HEAD

RECOVERY TANK GROUP (770102)

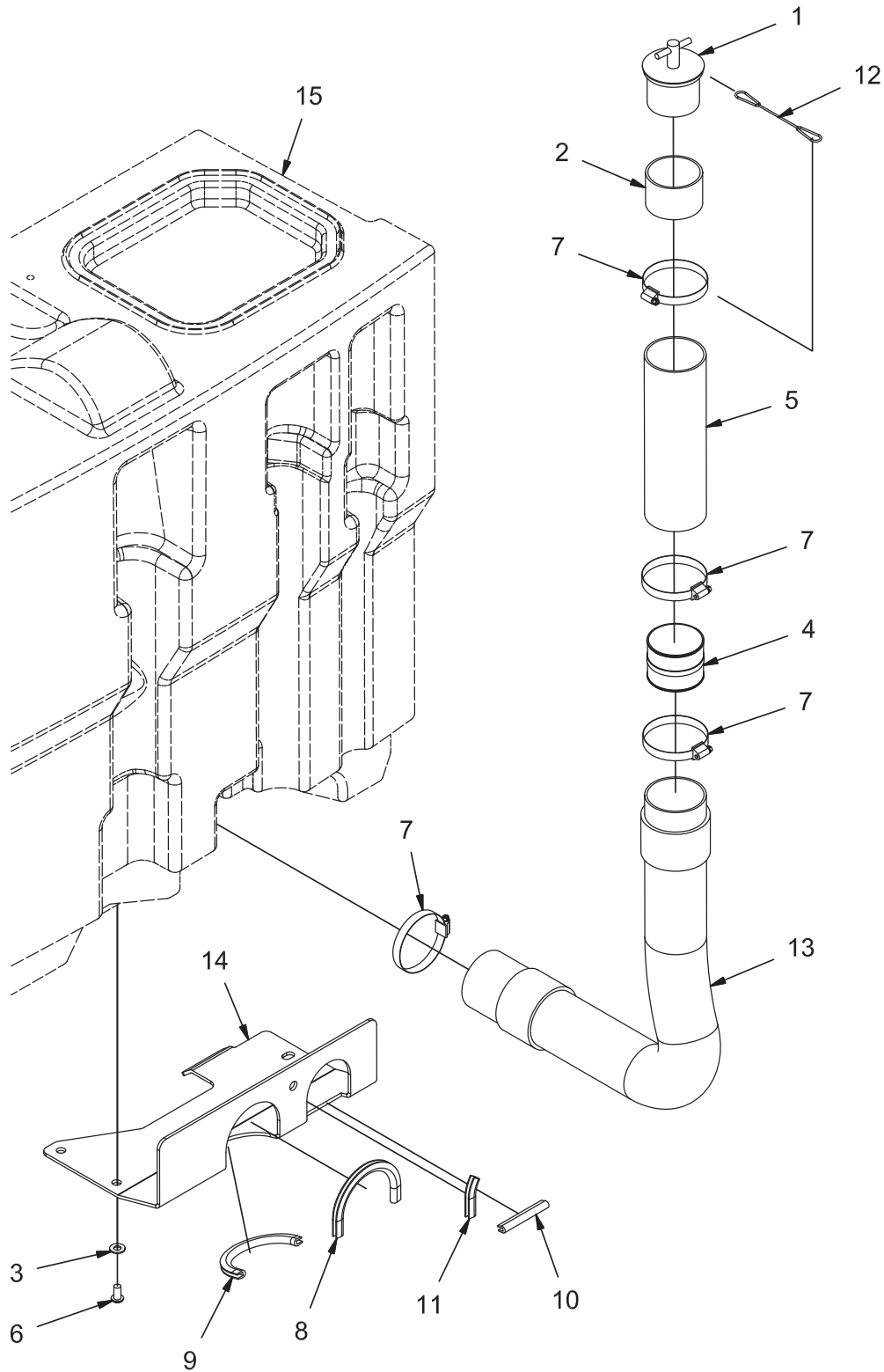


REV E

RECOVERY TANK GROUP (770102)

Parts List - 770102			
ITEM	PART NO.	QTY	DESCRIPTION
1	11177187	4	SC-BHCS W/ FLANGE M8 X 1.25 X 16 304SS
2	11177253	2	SC-BHCS W/ FLANGE M8 X 1.25 X 12 304SS
3	3300376	2	STUD-BALL GAS SPR 5/16-18 THRD .391DIA.
4	3309006	1	CAP-TANK 6.00 DIA. BLACK
5	3309070	1	GASKET-6" PLASTIC CAP
6	3309099	1	PLT-BACKING FOR 6" CAP GASKET
7	3400087	8	WASHER-FLAT 3/8 ZP
8	3400278	4	WASHER-FENDER 3/8 X 1.25 ZP
9	3400335	2	SCR-HH 3/8-16 X .75 SS
10	3400340	4	NUT-NYLOC 3/8-16 SS
11	3400385	6	WASHER-CONICAL SPRING 3/8
12	3401052	6	WASHER-FENDER 1/4 X 1.00 SS
14	3402010	12	SCR-HEX 3/8-16 X 1.25 SS
15	500133-1	1	WIRE ASSY, SWITCH-FLOAT
16	600581	2	CLAMP WIRE CLIP, PURSE-LOCK .60
17	600913	1	SCR-HH M6-1.00 X 20 SS
18	600933	1	NUT-NYLOC M6-1.00 SS
19	711380	4	NUT-NYLOC 3/8-16 ZP
20	712541	6	SCR-THMS 1/4-20 X 1.00 SS
21	712667	6	NUT-NYLOC 1/4-20 SS
22	712695	8	NUT-HEX 3/8-16 SS
23	713041	4	SCR-HH 3/8-16 X .75 ZP GR 5
24	713042	4	SCR-HH 3/8-16 X 1.00 ZP GR 5
25	717040	8	WASHER-FLAT M10.5 X 30 X 2.5 SS
26	730497	1	COVER, LH REC TANK
27	730503	1	COVER, RH REC TANK
28	730504	2	ROD, REC COVER
29	730505	2	SEAL, REC COVER
30	730519	1	RETAINER, SOL HOSE ZP
31	730525	2	RETAINER, COVER
32	730526	2	WASHER-FENDER M8 X 24 SS
33	730527	8	WASHER-LOCK M8 SS
34	730804	1	DEFLECTOR FLAP
35	731144	1	CLAMP - SCREW 2.25 to 3.25 DIA 201SS
36	731415	1	GUARD, FLOAT
37	731528	1	RETAINER, RECOVERY HOSE
38	770440	1	DEMISTER, HIGH DUMP
39	770441	2	SEAL, DEMISTER
40	770443	1	RECOVERY TANK, HIGH DUMP
41	770444	2	PLATE, SIDE MNT
42	770456	1	WELDMENT, RH TANK BRACKET
43	770458	1	REC TANK FLOAT SW MNT
44	770459	1	ASSEMBLY, UPPER SQUEEGEE HOSE
45	770578	1	WELDMENT, LH TANK BRACKET
46	PART OF 500133-1	1	NUT
47	PART OF 500133-1	1	GASKET

RECOVERY TANK DRAIN GROUP (770124)

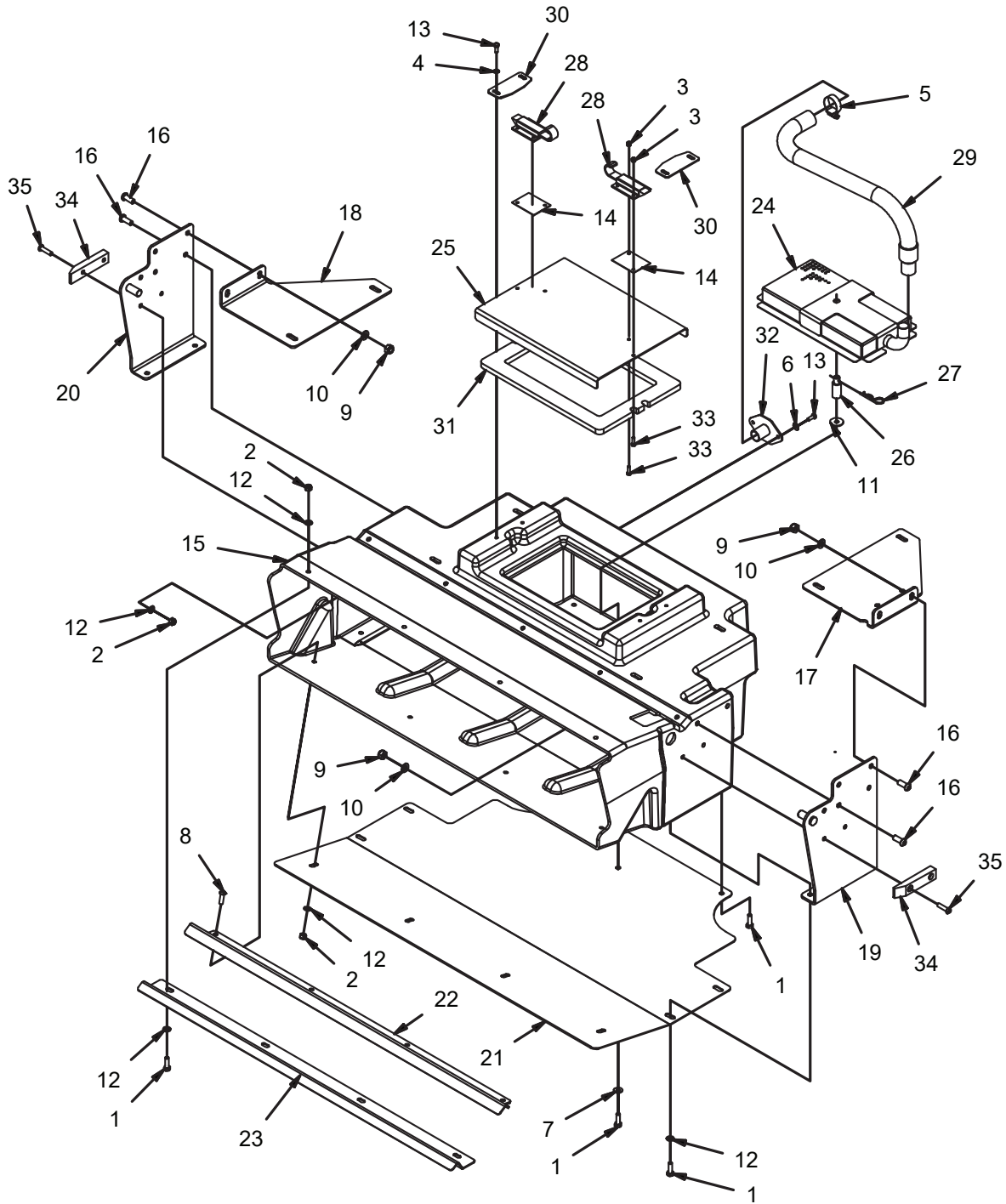


REV D

RECOVERY TANK DRAIN GROUP (770124)

Parts List - 770124			
ITEM	PART NO.	QTY	DESCRIPTION
1	3336089	1	PLUG-2 3/4" X 2" TURN-TITE EXPANDABLE RU
2	3345608	1	SUPPORT TUBE-SS, DRAIN HOSE NAUTILUS
3	3400385	3	WASHER-CONICAL SPRING 3/8
4	730511	1	W/D, VALVE BODY, TUBE
5	730517	1	TUBE, DRAIN VALVE
6	731143	3	SCR-BHSCS 3/8-16 X .750 SS
7	731144	4	CLAMP, 2.25 IN TO 3.25 IN SS
8	731529	1	EDGING, 3/16, 8.25"
9	731530	1	EDGING, 3/16, 7.00"
10	731531	1	EDGING, 3/16, 3.25"
11	731532	1	EDGING, 3/16, 2.25"
12	731539	1	LANYARD
13	731533	1	ASSEMBLY, RECOVERY DRAIN HOSE
14	770646	1	PLATE, HOSE GUIDE
15	REFERENCE	1	RECOVERY TANK, HIGH DUMP

HOPPER GROUP (770113)

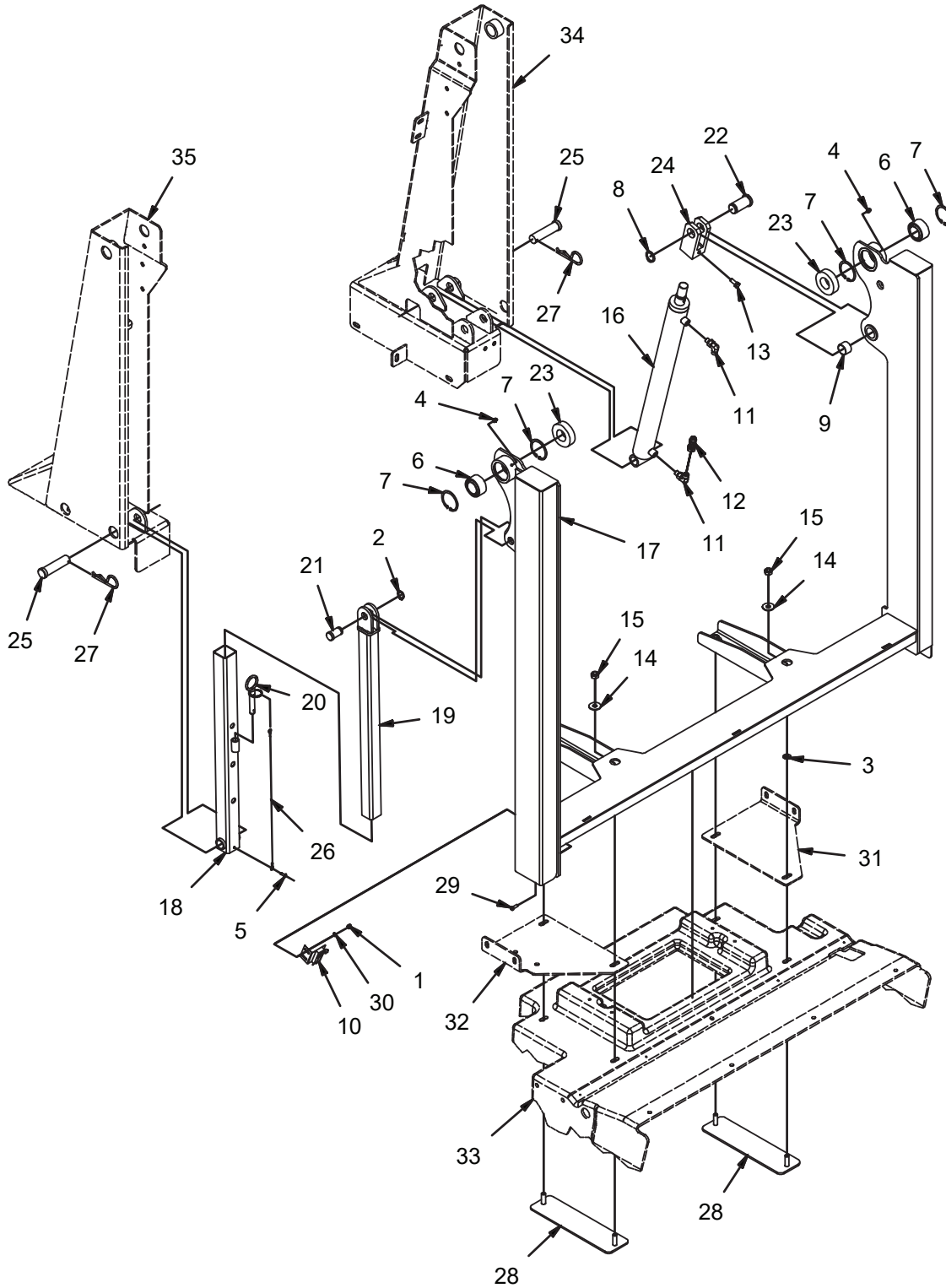


REV A

HOPPER GROUP (770113)

Parts List - 770113			
ITEM	PART NO.	QTY	DESCRIPTION
1	11039567	11	BOLT, M8-1.25 X 25 HH SS
2	12040259	18	NUT, M8-1.25 ESN SS
3	12040283	4	NUT, M5 - 0.8 ESN SS
4	12310033	4	WASHER, M6
5	3302193	1	CLAMP, HOSE, .75 - 1.25
6	3400383	2	WASHER, 1/4 BELLEVILLE
7	3400384	1	WASHER, 5/16 BELLEVILLE
8	600917	4	SCREW, M8-1.25 X 25 BUTTON HD CAP SS
9	730339	8	NUT, M10-1.50 ESN SS
10	730344	8	WASHER, M10 SS
11	730526	1	WASHER, M8 FENDER SS
12	730609	26	WASHER, M8 SS
13	730934	6	BOLT, M6-1.00 X 16 HH SS
14	770594	2	PLATE, SPACER
15	770487	1	HOPPER, HIGH DUMP
16	770488	8	BOLT, M10-1.50 X 25 BUTTON HD CAP
17	770489	1	WELDMENT, LH HOPPER MOUNT
18	770491	1	MOUNT, RH HOPPER
19	770492	1	WELDMENT, LH SIDE SUPPORT
20	770495	1	WELDMENT, RH SIDE SUPPORT
21	770500	1	SKID PLATE, HOPPER
22	770502	1	LIP, HOPPER
23	770503	1	ANGLE, UPPER
24	770505	1	WELDMENT, SEPARATOR
25	770509	1	COVER, HOPPER
26	770510	1	PIN, STRAINER
27	770511	1	HAIR PIN COTTER, .50 - .56 SS
28	770512	2	LATCH, PULL
29	770513	1	ASSEMBLY, HOSE, 1"
30	770514	2	PLATE, STRIKER
31	770515	1	SEAL, HOPPER ACCESS
32	770520	1	WELDMET, SEAL FACE
33	770528	4	SCREW, M5-0.8 X 16 HH SS
34	770535	2	GUIDE
35	770536	4	SCREW, M8-1.25 X 30 BUTTON HD CAP SS

HOPPER LIFT GROUP (770111)

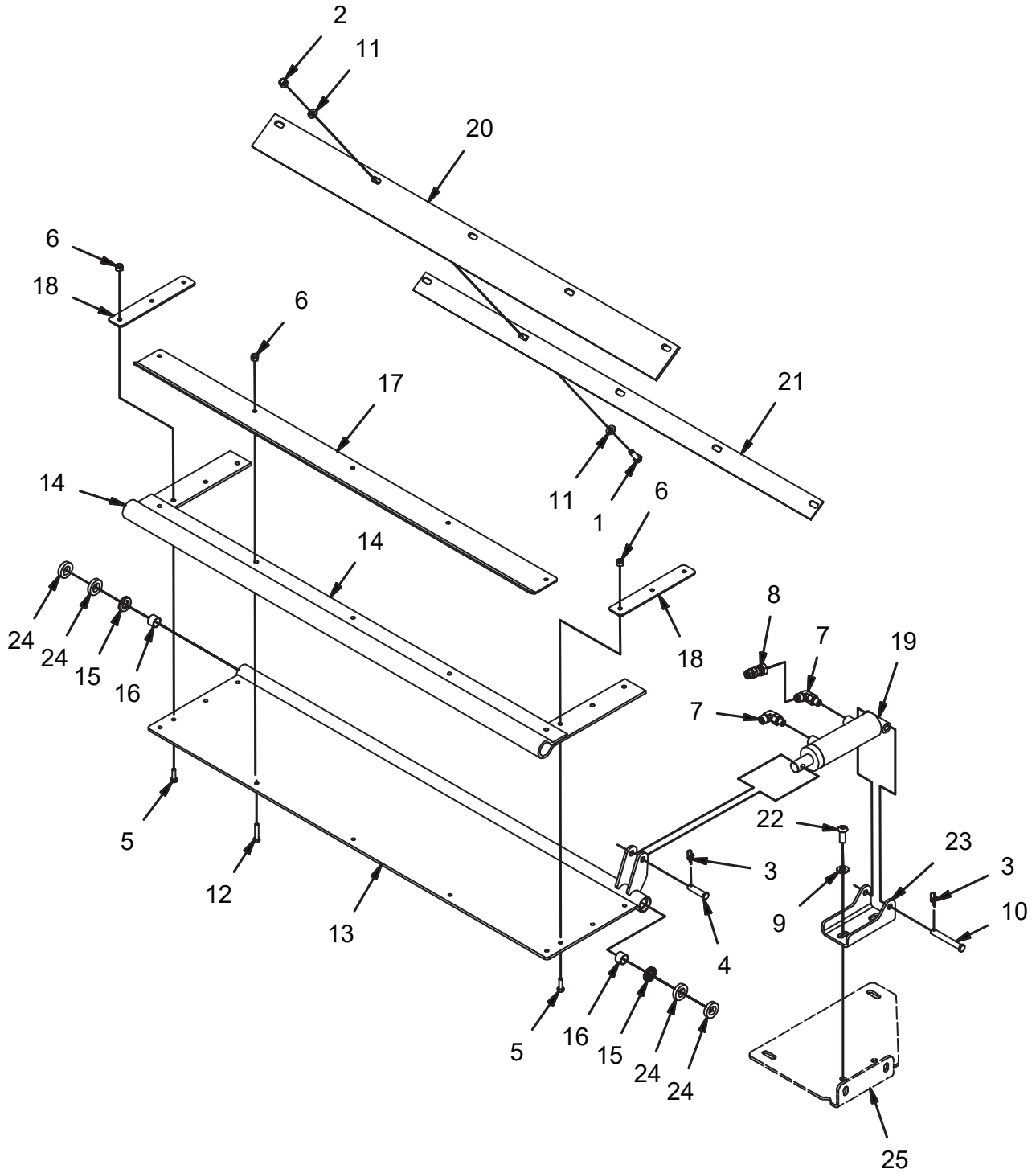


REV B

HOPPER LIFT GROUP (770111)

Parts List - 770111			
ITEM	PART NO.	QTY	DESCRIPTION
1	12040283	2	NUT, M5 - 0.8 ESN SS
2	172425	1	RETAINING RING, EXT, .750 HD
3	3316981	4	PUSH NUT, M8
4	3400012	2	GREASE ZIRK
5	3400484	1	RIVET, MULTI-GRIP
6	600109	2	BEARING, SPHERICAL
7	600575	4	RING, RETAINING INT, 2.00
8	600577	1	RETAINING RING, EXT, 1.00 HD
9	600801	1	BEARING, FIBERGLIDE 1.00 ID .75 T
10	600530-1	1	SWITCH, LIMIT, NC
11	675507	2	FITTING, 90, -4 ORFS - 4 SAE
12	675622	1	FITTING, ORIFICE, .031
13	711228	1	SCREW, 5/16-18 X .750 HHC
14	717040	4	WASHER, FENDER, .413 B 1.18 OD .098 T SS
15	730339	4	NUT, M10-1.50 ESN SS
16	770300	1	CYLINDER, HYD, 1.5 B X 15.5 STK
17	770357	1	WELDMENT, HOPPER LIFT ARM
18	770366	1	WELDMENT, SAFETY TUBE
19	770370	1	WELDMENT, UPPER SAFETY TUBE
20	770374	1	SAFETY PIN
21	770377	1	PIN, UPPER SAFETY TUBE
22	770380	1	PIN, UPPER CYLINDER
23	770397	2	SPACER, 1.255 B 2.50 OD .688T
24	770398	1	CLEVIS
25	770464	2	CLEVIS PIN, .88 X 3.25
26	770466	1	LANYARD
27	770468	2	COTTER, HAIR SPRING, 7/8 - 1
28	770497	2	WELDMENT, BACK PLATE
29	770528	2	SCREW, M5-0.8 X 16 HH SS
30	770538	2	WASHER, M5 SS
31	REFERENCE	1	RH HOPPER MOUNT
32	REFERENCE	1	LH HOPPER MOUNT
33	REFERENCE	1	HOPPER
34	REFERENCE	1	RIGHT PILLAR
35	REFERENCE	1	LEFT PILLAR

HOPPER DUMP DOOR GROUP (770112)

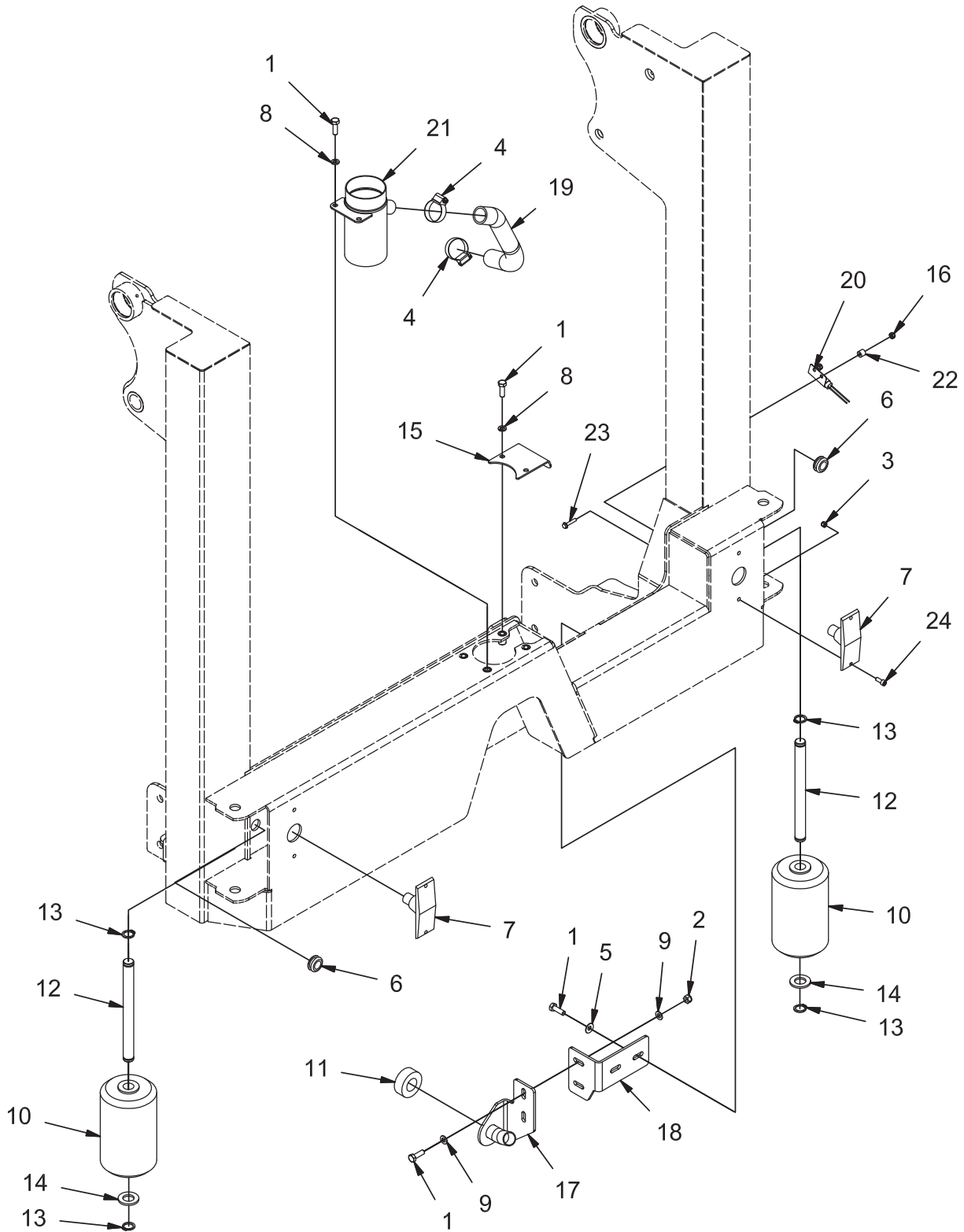


REV B

HOPPER DUMP DOOR GROUP (770112)

Parts List - 770112			
ITEM	PART NO.	QTY	DESCRIPTION
1	11039567	5	BOLT,M8-1.25X25HHSS
2	12040259	5	NUT,M8-1.25ESNSS
3	3400125	2	RUE-RING,.375
4	600573	1	PIN,CLEVIS,38X1.50
5	600913	6	BOLT,M6-1.00X20HHSS
6	600933	11	NUT,M6-1.00ESNSS
7	675507	2	FITTING,90,-4ORFS-4SAE
8	675547	1	FITTING,ORIFICE,.047
9	730344	2	WASHER,M10SS
10	730602	1	PIN,CLEVIS,.375X2.75
11	730609	10	WASHER,M8SS
12	731050	5	BOLT,M6-100X30HHSS
13	770306	1	WELDMENT,HOPPERDOOR
14	770312	1	SEAL,HOPPERDOOR
15	770474	2	SEAL,.625,LOADEDLIP
16	770475	2	BEARING,FIBERGLIDE.625ID.50T
17	770476	1	RETAINER,SEAL
18	770477	2	RETAINER,SEAL
19	770478	1	CYLINDER,HOPPERDOOR
20	770479	1	SEAL,UPPERDOOR
21	770480	1	RETAINER,UPPERDOORSEAL
22	770488	2	BOLT,M10-1.50X25BUTTONHDCAP
23	770499	1	MOUNT,DOORCYL
24	770501	4	SEAL,DOORPIN
25	REFERENCE	1	LH HOPPER MOUNT

REAR BUMPER GROUP (770115)

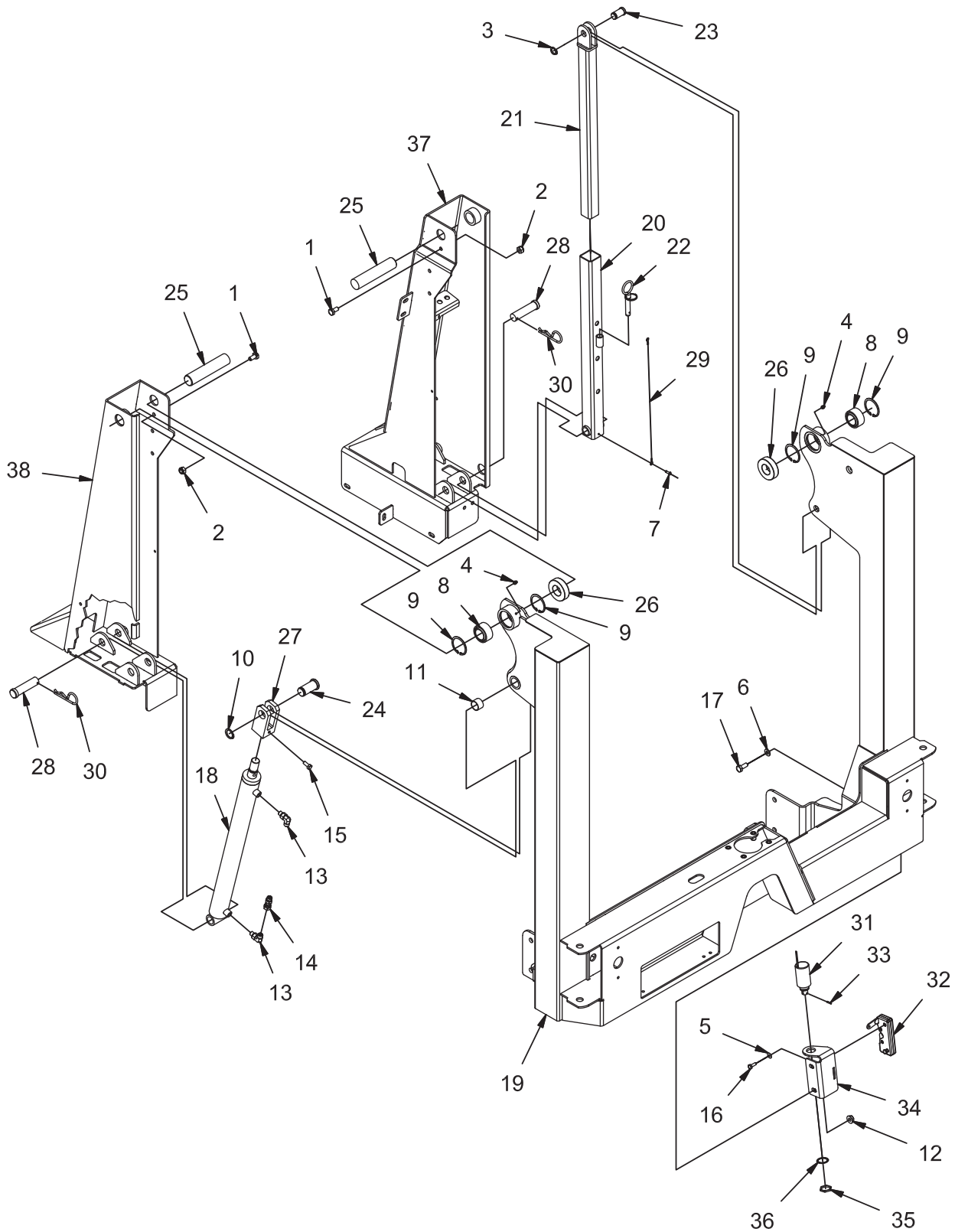


REV D

REAR BUMPER GROUP (770115)

Parts List - 770115			
ITEM	PART NO.	QTY	DESCRIPTION
1	11039567	8	SCR-HH M8-1.25 X 25 SS
2	12040259	2	NUT-NYLOC M8 X 1.25 SS
3	12040283	4	NUT-NYLOC M5 X 0.8 304SS DIN985
4	3302193	2	CLAMP-HOSE 1.25 NOM
5	3400384	2	WASHER-CONICAL SPRING 5/16
6	600151	2	GROMMET, .63 ID .88 OD .25 T
7	600514-6	2	WIRE ASY, TAIL-LIGHT
8	730527	4	WASHER-LOCK M8 SS
9	730609	4	WASHER-FLAT M8 SS
10	730719	2	ROLLER
11	730848	1	SEAL
12	730876	2	PIN, ROLLER
13	730877	4	RET RING-EXT .750
14	730886	2	WASHER-FLAT 3/4 ZP
15	731189	1	COVER, HOSE PORT
16	731242	2	NUT-NYLOC 10-32 18-8 SS
17	770516	1	WELDMENT, HOSE ADJ
18	770518	1	BRACKET, ADJ
19	770645	1	HOPPER SUCTION TUBE
20	770589-1	1	WIRE ASSY, TILT SWITCH
21	770591	1	WELDMENT, HD SQU TUBE
22	770599	2	SPACER, .203 B .438 OD .400 T
23	713597	2	SCR-HH 10-32 X 1.00, SLOTTED ZP
24	831206	4	SCR-SHCS M5-0.8 X 16 ZP
25	REFERENCE	1	SQUEEGEE LIFT ARM

BUMPER LIFT GROUP (770110)

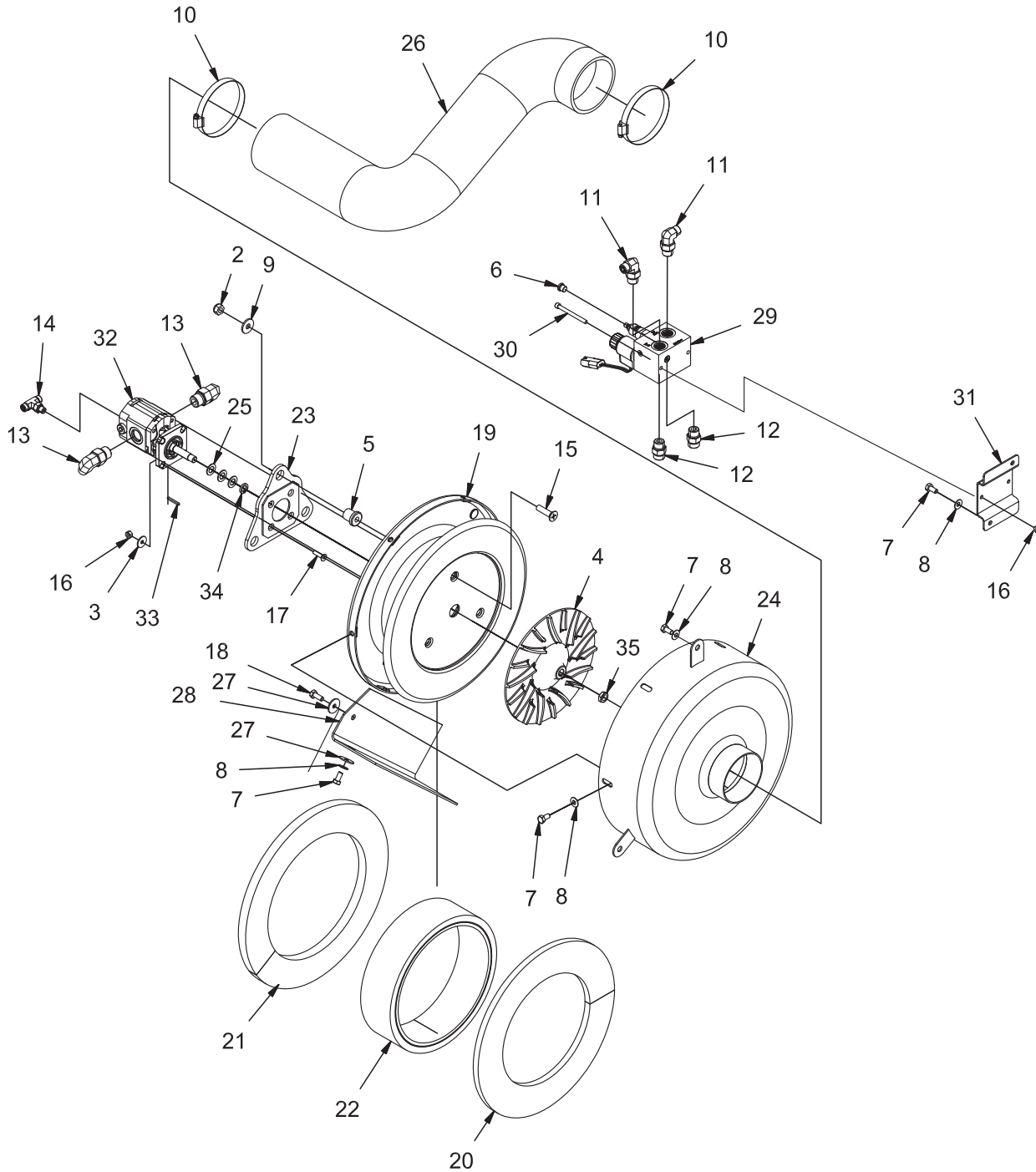


REV B

BUMPER LIFT GROUP (770110)

Parts List - 770110			
ITEM	PART NO.	QTY	DESCRIPTION
1	11038353	2	BOLT, M10-1.50 X 20 HH
2	12040069	2	NUT, M10-1.50 ESN
3	172425	1	RETAINING RING, EXT, .750 HD
4	3400012	2	GREASE ZIRK
5	3400383	4	WASHER, 1/4 BELLEVILLE
6	3400385	2	WASHER, 3/8, BELLEVILLE
7	3400484	1	RIVET, MULTI-GRIP
8	600109	2	BEARING, SPHERICAL
9	600575	4	RING, RETAINING INT, 2.00
10	600577	1	RETAINING RING, EXT, 1.00 HD
11	600801	1	BEARING, FIBERGLIDE 1.00 ID .75 T
12	600936	2	NUT, M10-1.50 FLNG
13	675507	2	FITTING, 90, -4 ORFS - 4 SAE
14	675622	1	FITTING, ORIFICE, .031
15	711228	1	SCREW, 5/16-18 X .750 HHC
16	712562	4	SCREW, 1/4-20 X .75 HH SS
17	730958	2	BOLT, M10-1.50 X 25 HH SS
18	770300	1	CYLINDER, HYD, 1.5 B X 15.5 STK
19	770334-1	1	ASSEMBLY, SQUEEGEE LIFT
20	770366	1	WELDMENT, SAFETY TUBE
21	770370	1	WELDMENT, UPPER SAFETY TUBE
22	770374	1	WELDMENT, SAFETY PIN
23	770377	1	PIN, UPPER SAFETY TUBE
24	770380	1	PIN, UPPER CYLINDER
25	770394	2	WELDMENT, PIVOT PIN
26	770397	2	SPACER, 1.255 B 2.50 OD .688T
27	770398	1	CLEVIS
28	770464	2	CLEVIS PIN, .88 X 3.25
29	770466	1	LANYARD
30	770468	2	COTTER, HAIR SPRING, 7/8 - 1
31	770472-1	1	WIRE ASSY, SOLENOID
32	770473	1	LATCH, MECH
33	770537	1	ROLL PIN, SPLIT, 1/8 ZP
34	770552	1	WELDMENT, LATCH MNT
35	PART OF 770472	1	NUT
36	PART OF 770472	1	LOCKWASHER
37	REFERENCE	1	RIGHT PILLAR
38	REFERENCE	1	LEFT PILLAR

IMPELLER GROUP (770674)

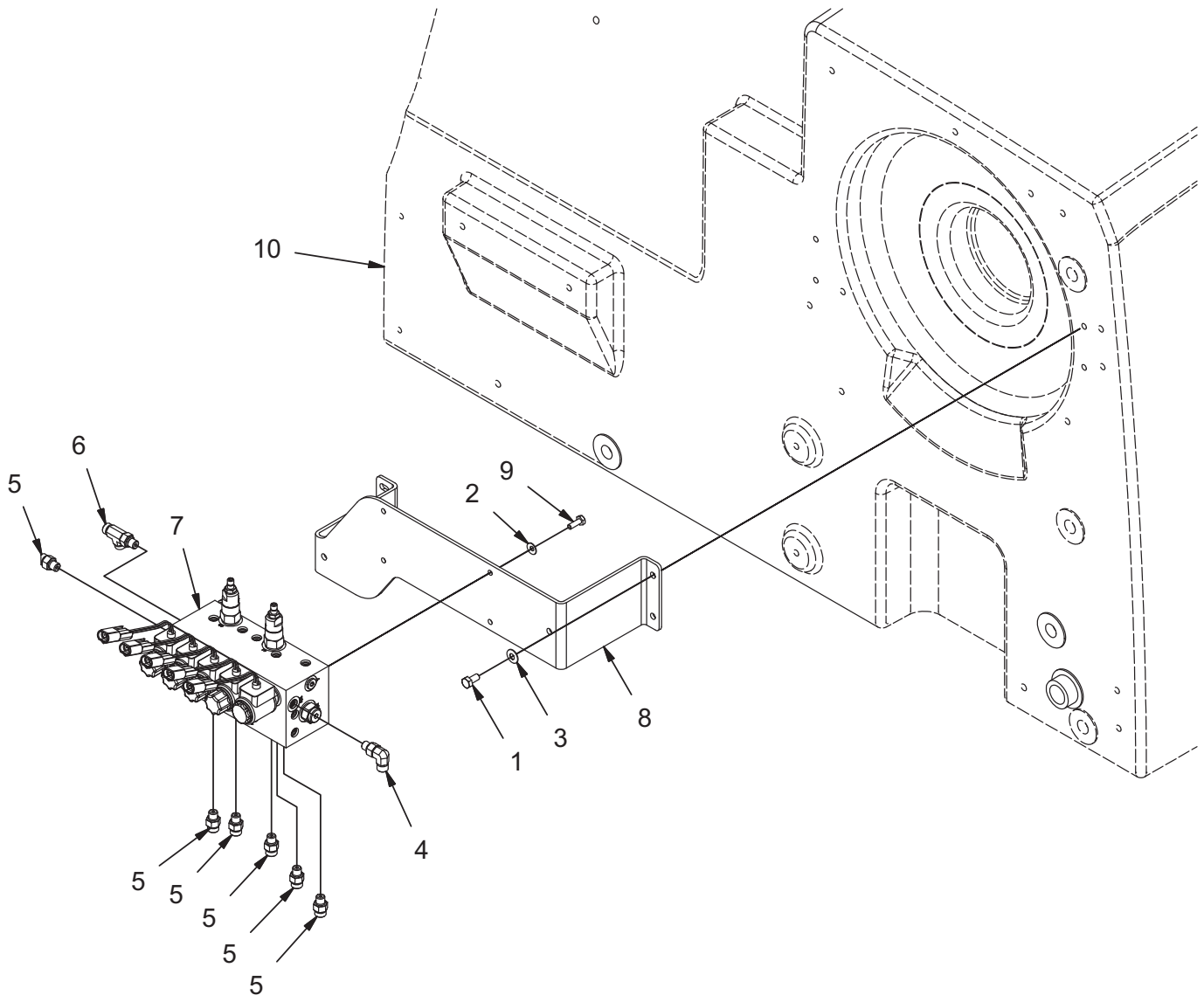


REV A

IMPELLER GROUP (770674)

Parts List - 770674			
ITEM	PART NO.	QTY	DESCRIPTION
1	000712	0.001	LOCTITE 243 BLUE
2	12040069	3	NUT-NYLOC M10 X 1.5 ZD CLASS 6
3	173080	4	WASHER-FLAT .266 X .875 X .07 SS
4	3300133	1	IMPELLER, BALANCED 82/90/NAUTILUS
5	3300465	3	ISOLATOR-RUBBER (.375ID X .81OD)
6	3331436	1	FTG-ORFS PLUG-1/4 HEX SOC,ST THD
7	3400291	11	SCR-HH M8-1.25 X 16 ZP CLASS 8.8
8	3400384	11	WASHER-CONICAL SPRING 5/16
9	600363	3	WASHER-FLAT .39 X 1.12 X .1 ZP
10	620176	2	CLAMP, HOSE, WORM TYPE, 4"
11	675520	2	FTG-ORFS 90 ELBOW -6 -8 SAE
12	675524	2	FTG-ORFS STR THD -8 -8 SAE
13	675532	2	FTG-ORFS 90 ELBOW -6 -10 SAE
14	675556	1	FTG-ORFS TEE BRANCH -4 -4 -4 SAE
15	710028	3	SCR-FHMS M10-1.50 X 40 SLOTTED ZP
16	711373	6	NUT-NYLOC 1/4-20 ZP
17	712153	4	SCR-FHSCS 1/4-20 X 1.00 SS
18	717030	1	SCR-HH M8-1.25 X 20 SS
19	730463-1	1	IMPELLER HOUSING, MACHINED
20	730466	1	INSULATION, SOUND
21	730467	1	INSULATION, SOUND
22	730468	1	INSULATION, SOUND
23	730471	1	WELDMENT, MOTOR MNT DG
24	730474	1	WELDMENT, IMPELLER SHROUD
25	730479	3	PRECISION WASHER, .88 D .51 B .060 T
26	730501	1	HOSE, 4.00, IMPELLER
27	730526	2	WASHER-FENDER M8 X 24 SS
28	730639	1	FLAP, IMPELLER
29	730790-1	1	MANIFOLD ASSY, IMPELLER
30	730889	2	SCR-SHCS 1/4 -20 X 2.75 ZP CP
31	730891	1	BRACKET, MANIFOLD ZP
32	770672	1	MOTOR-IMPELLER, CCW ROT (2.8 CC/ROT)
33	770673	1	KEY, 3.18 X 3.18 X 30 MM (SERVICE)
34	770680	1	SPACER, .500 X .750 X .125 STEEL ARBOR
35	770681	1	NUT-JAM M12-1.75 ZP

IMPELLER HYDRAULIC MANIFOLD GROUP (770116)

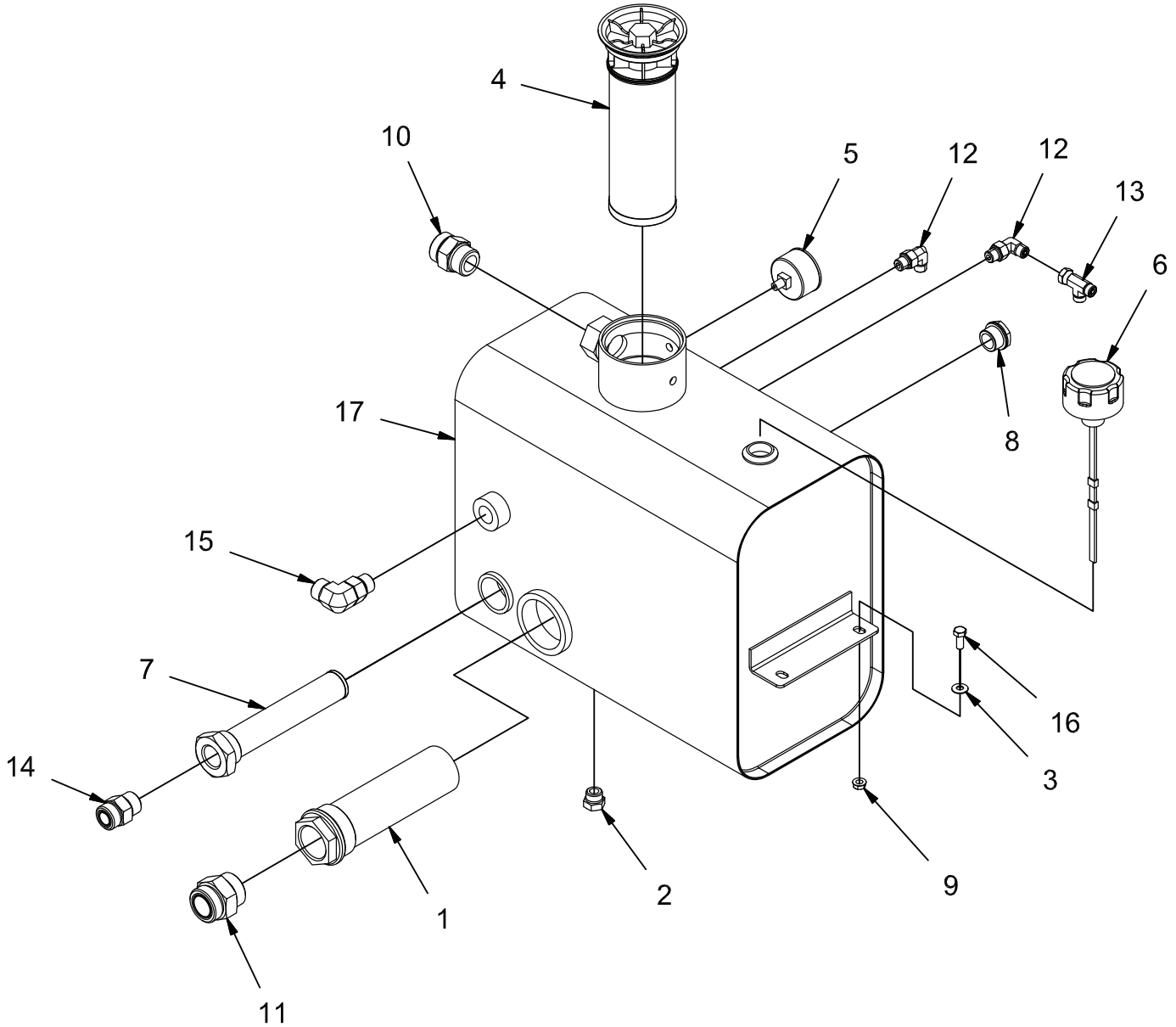


REV F

IMPELLER HYDRAULIC MANIFOLD GROUP (770116)

Parts List - 770116			
ITEM	PART NO.	QTY	DESCRIPTION
1	3400291	4	BOLT, M8-1.25 X 16 HH
2	3400383	4	WASHER, 1/4 BELLEVILLE
3	3400384	4	WASHER, 5/16 BELLEVILLE
4	675507	1	FITTING, 90, -4 ORFS - 4 SAE
5	675508	6	FITTING, STR, 4 ORFS - 4-SAE
6	675509	1	FITTING, RUN TEE -4 ORFS TO -4 SAE
7	770557-1	1	HIGH DUMP MANIFOLD
8	770676	1	MOUNT, HIGH DUMP MANIFOLD
9	713002	4	SCREW, 1/4-20 X .750 HHC
10	REFERENCE	1	SOLUTION TANK, HIGH DUMP

HYDRAULIC RESERVOIR GROUP (730127)

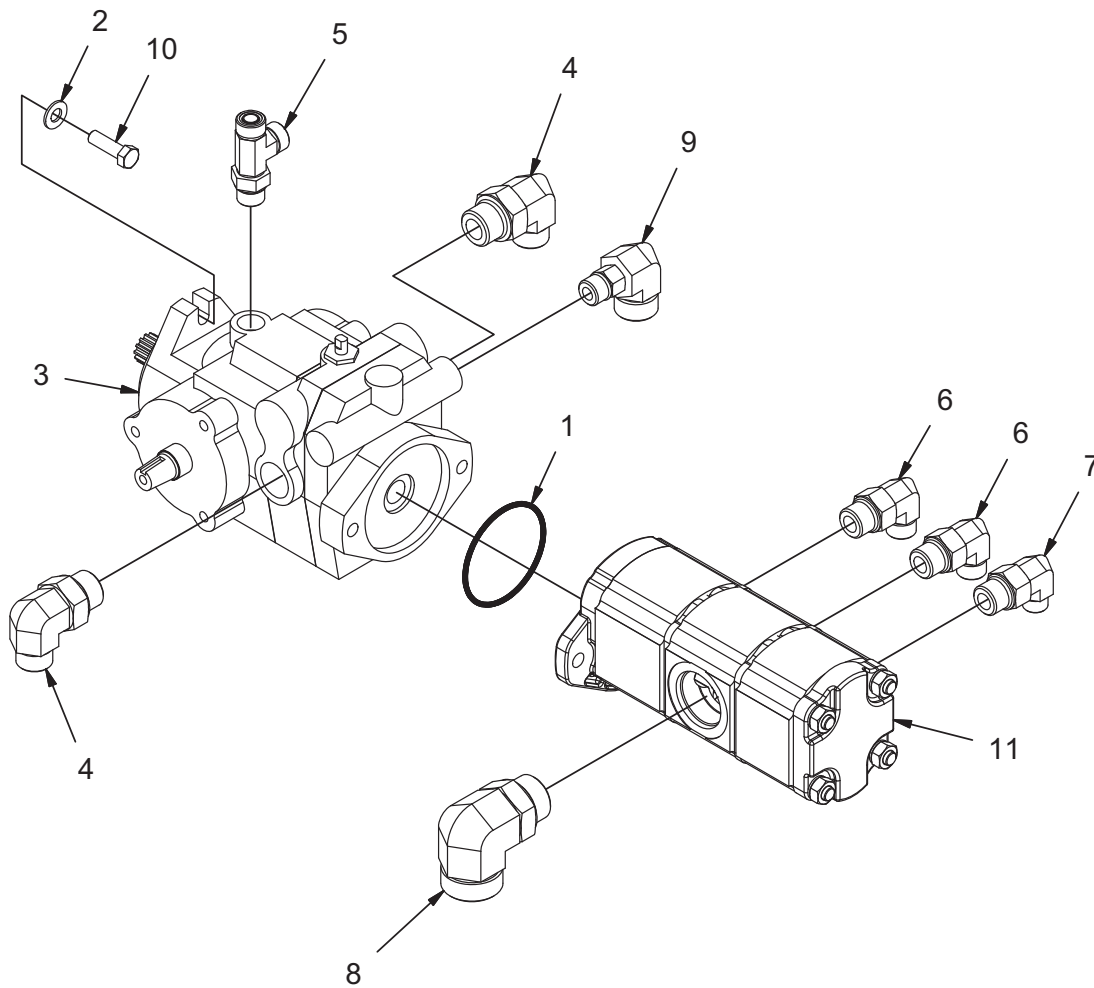


REV *

HYDRAULIC RESERVOIR GROUP (730127)

Parts List - 730127			
ITEM	PART NO.	QTY	DESCRIPTION
1	3343836	1	STRAINER, HYDRAULIC, 20
2	3400164	1	FITTING, PLUG, 8 O-RING
3	3400384	4	WASHER, 5/16 BELLEVILLE
4	600182	1	FILTER ELEMENT, 10 MIC
5	600183	1	GAUGE, 0-60 PSI
6	600184	1	FILLER-BREATHER, 10 MIC
7	600185	1	STRAINER, 12
8	600531	1	SIGHT GAUGE
9	600934	4	NUT, M8-1.25 FLNG
10	675505	1	FITTING, STR, 16 ORFS - 16 SAE
11	675539	1	FITTING, STR, 20 ORFS - 20 SAE
12	675546	2	FITTING, 90, 4 ORFS - 6 SAE
13	675549	1	FITTING, RUN TEE, 4 ORFS - 4 SAE
14	675551	1	FITTING, STR, 12 ORFS - 12 SAE
15	675557	1	FITTING, 90, 10 ORFS - 10 SAE
16	717024	4	BOLT, M8-1.25 X 20 HH
17	730309	1	TANK, HYD RESERVOIR

HYDRAULIC PUMP GROUP (770675)

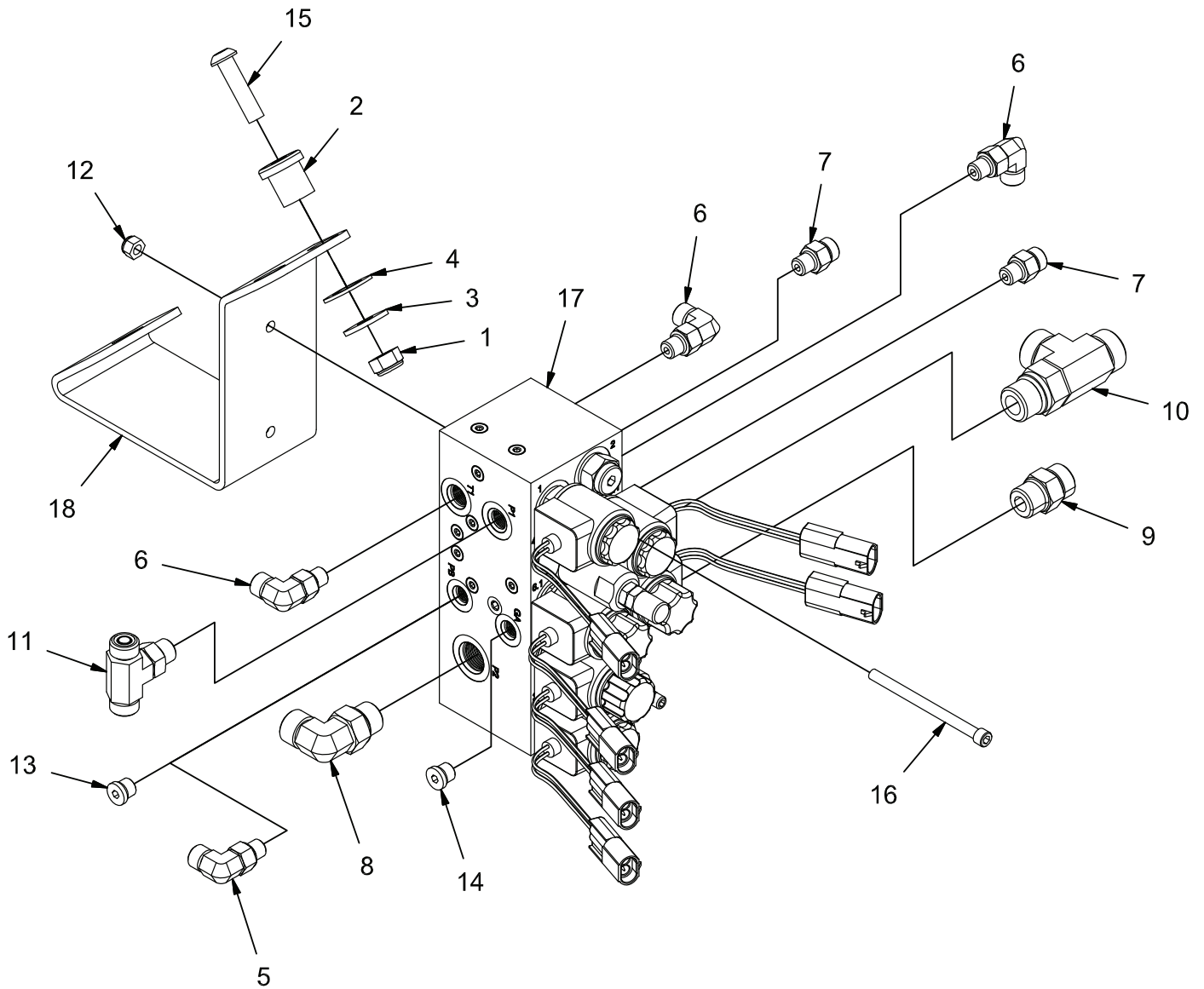


REV D

HYDRAULIC PUMP GROUP (770675)

Parts List - 770675			
ITEM	PART NO.	QTY	DESCRIPTION
1	3303711	1	O-RING
2	3400385	2	WASHER,38,BELLEVILLE
3	600215	1	PUMP,PROPULSION
4	675500	2	FTG-ELBOW-10ORFSTO-12SAE
5	675525	1	FITTING,RUNTEE,8ORFS-8ORFS-8SAE
6	675528	2	FITTING,90,-8ORFS-10SAE
7	675532	1	FITTING,90,6ORFS-10SAE
8	675538	1	FTG-ORFS 90 ELBOW -20 -20 SAE
9	675543	1	FTG-ORFS 90 ELBOW -12 -8 SAE
10	713043	2	SCREW,38-16X1.25HH
11	770671	1	PUMP,AUX

HYDRAULIC VALVE GROUP (730137)

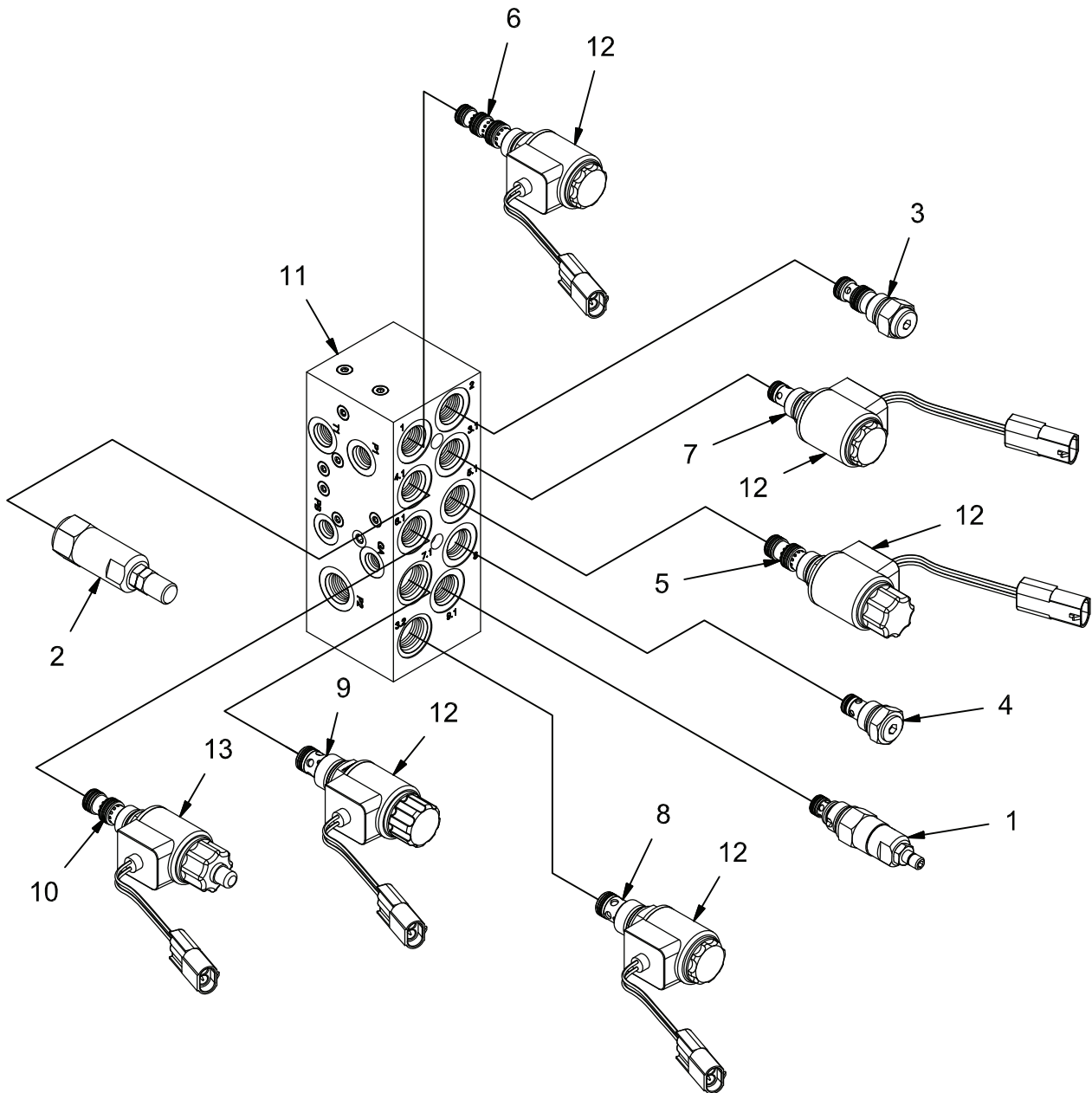


REV A

HYDRAULIC VALVE GROUP (730137)

Parts List - 730137			
ITEM	PART NO.	QTY	DESCRIPTION
1	12040069	3	NUT, M10-1.50 ESN
2	3300465	3	ISOLATOR, VIB
3	600363	3	WASHER, ISOLATOR
4	66-431-A	3	WASHER, .77 B 1.25 OD .075 T
5	675507	1	FITTING, 90, 4 ORFS - 4 SAE
6	675507	3	FITTING, 90, 4 ORFS - 4 SAE
7	675508	2	FITTING, STR, 4 ORFS - 4-SAE
8	675523	1	FITTING, 90, 8 ORFS - 8 SAE
9	675524	1	FITTING, STR, 8 ORFS - 8 SAE
10	675540	1	FITTING, RUN TEE, 10 ORFS - 10 SAE
11	675555	1	FITTING, TEE 6 ORFS - 6 SAE
12	711373	2	NUT, FIBER INSERT 1/4-20
13	3331436	1	FITTING, PLUG 4 O-RING
14	3331436	1	FITTING, PLUG, 4 O-RING (GAUGE PORT)
15	730698	3	BOLT, M10-1.50 X 40 BUTTON HD CAP
16	730699	2	BOLT, 1/4-20 X 3.50 SOC HD CAP
17	730700	1	HYDRAULIC MANIFOLD ASSEMBLY
18	730711	1	MOUNT, MANIFOLD

HYDRAULIC MANIFOLD COMPONENTS GROUP (730170)

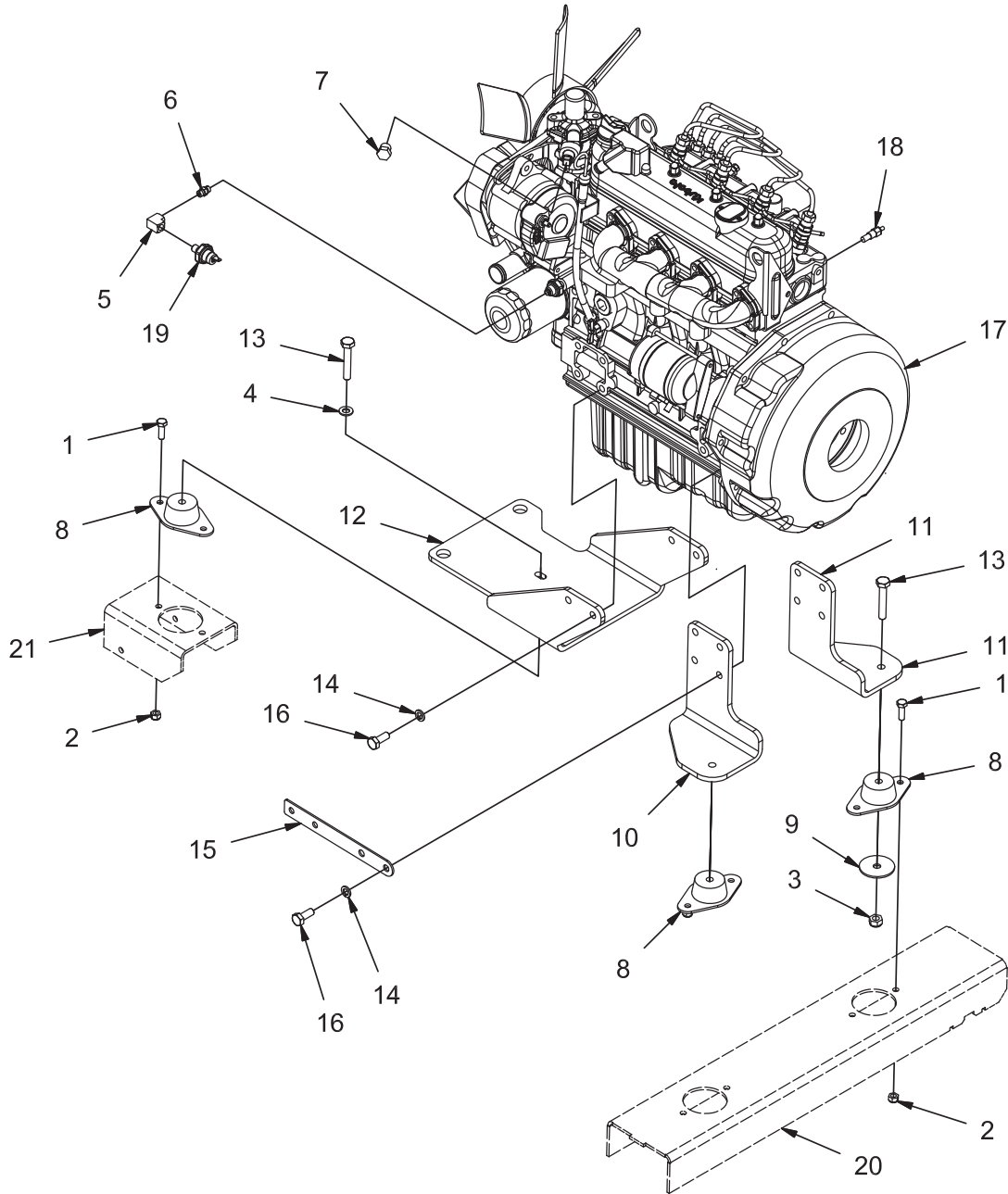


REV B

HYDRAULIC MANIFOLD COMPONENTS GROUP (730170)

Parts List - 730170			
ITEM	PART NO.	QTY	DESCRIPTION
1	730701	1	PORT 9.1 - RV2 - RELIEF VALVE RELIEF VALVE, DBOBP-01-C-N-330-V-250
2	730702	1	PORT 4.1 - RV3 - PRESSURE REDUCTION VALVE SOL. RED. VALVE, DROB-01-C-N-050-V-45
3	730703	1	PORT 2 - CV2 - P.O. CHECK VALVE P.O. CHECK VALVE, RPOBA-01-C-N-15-4
4	730704	1	PORT 8 - CV1 - CHECK VALVE CHECK VALVE, RVOBA-01-C-N-05
5	730705	1	"PORT 5.1 - SV5 - MAIN BRUSHES DOWN SOL. VALVE, WKOBL-01-C-N-O
6	730706	1	PORT 1 - SV7 - SQUEEGEE UP-DN SOL. VALVE, WKOBX-01-C-N-O
7	730707	1	PORT 3.1 - SV6 - MAIN BRUSHES UP-LOCK SOL. VALVE, WSOBZR-01-C-N-O
8	730708	1	PORT 3.2 - SV3 - MAIN BRUSHES ON-OFF SOL. VALVE, WS10ZR-01-C-N-O
9	730709	1	PORT 7.1 - SV2 - ALL OFF SOL. VALVE, WS10Y-01-C-N-O
10	730710	1	PORT 6.1 - SV4 - BRUSH FORCE PROP. RED. VALVE, PDROB-01-M-C-N-070
11	731121	1	MANIFOLD BLOCK, MAIN C961-1
12	731122	5	COIL, 12V, 3003124
13	731226	1	COIL, PROPORTIONAL, 12PL-2.2-40-1836

ENGINE MOUNT GROUP - DIESEL (730128)

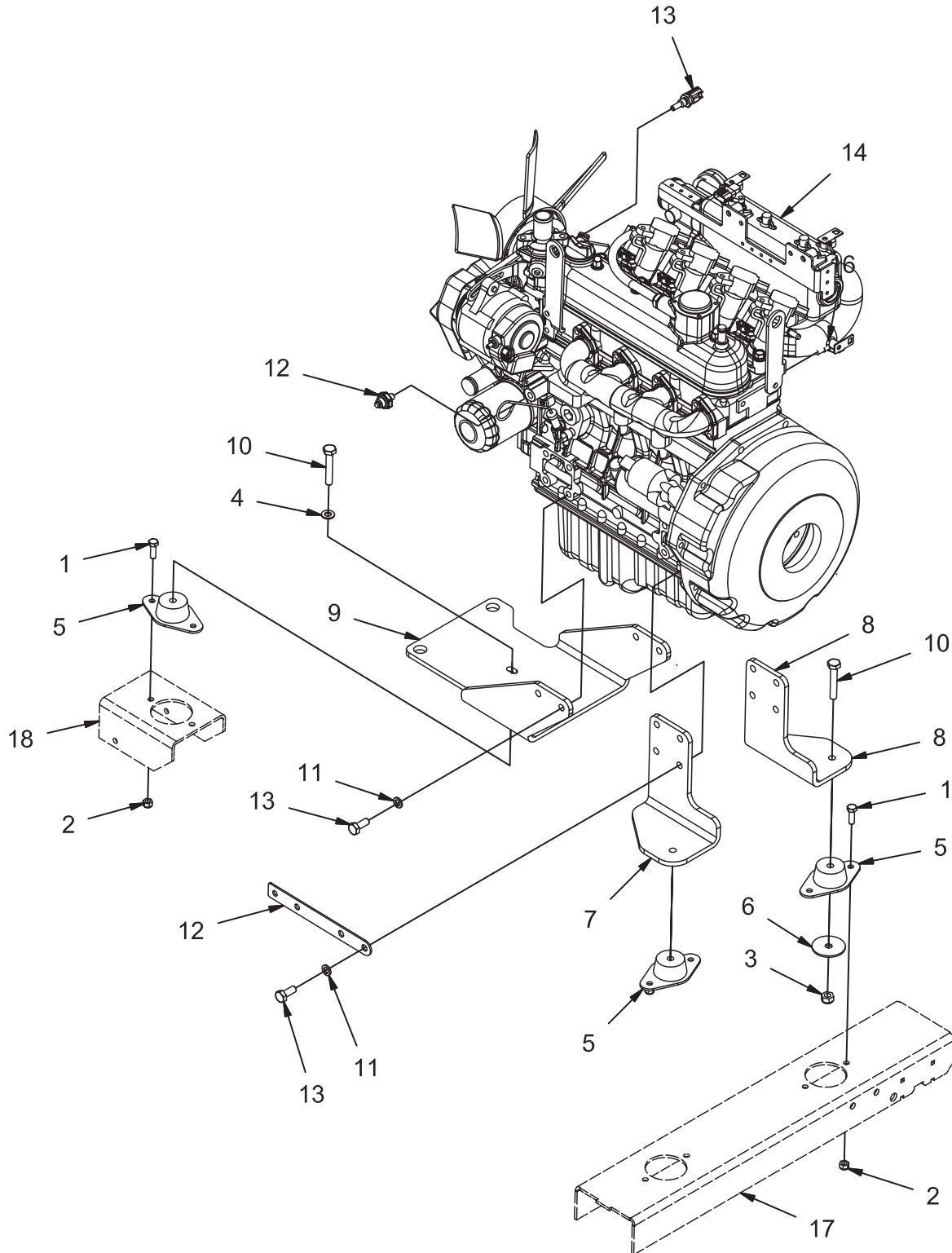


REV A

ENGINE MOUNT GROUP - DIESEL (730128)

Parts List - 730128			
ITEM	PART NO.	QTY	DESCRIPTION
1	11038247	6	SCR-HH M8-1.25 X 25 ZP CLASS 8.8
2	12040051	6	NUT-NYLOC M8 X 1.25 ZP CLASS 8
3	12040069	3	NUT-NYLOC M10 X 1.5 ZD CLASS 6
4	12310058	1	WASHER-FLAT M10.5 X 20 X 2 ZP
5	3301720	1	FTG-90 ELL 1/8 FPT
6	3305640	1	FTG-NIPPLE 1/8BPT-1/8NPT BRASS
7	3400194	1	FTG-PLUG PIPE 3/8 MPT HEX
8	600212	3	ISOLATOR VIBRATION
9	600333	3	WASHER-FLAT.425 X 2.00 X .1 THK ZP
10	600881	1	MOUNT REAR OUTER DIESEL ENG
11	600882	1	MOUNT REAR INNER DIESEL ENG
12	600899	1	MOUNT FRONT DIESEL ENGINE
13	600925	3	SCR-HH M10-1.5 X 60 ZP CLASS 8.8
14	600945	12	WASHER-LOCK M10
15	620081	1	MOUNT, HARNESS
16	620082	12	SCR-HH M10-1.25 X 25 ZP CLASS 8.8
17	REFERENCE	1	ENGINE, DSL, KUBOTA V1505
18	PART OF 620234	1	SWITCH, WATER TEMP (603000)
19	PART OF 620234	1	SWITCH, OIL PRESSURE (603001)
20	REFERENCE	1	FRAME
21	REFERENCE	1	FRAME
22	748535	1	HARNESS ASSY, ENGINE GROUND

ENGINE MOUNT GROUP - GAS (730164)

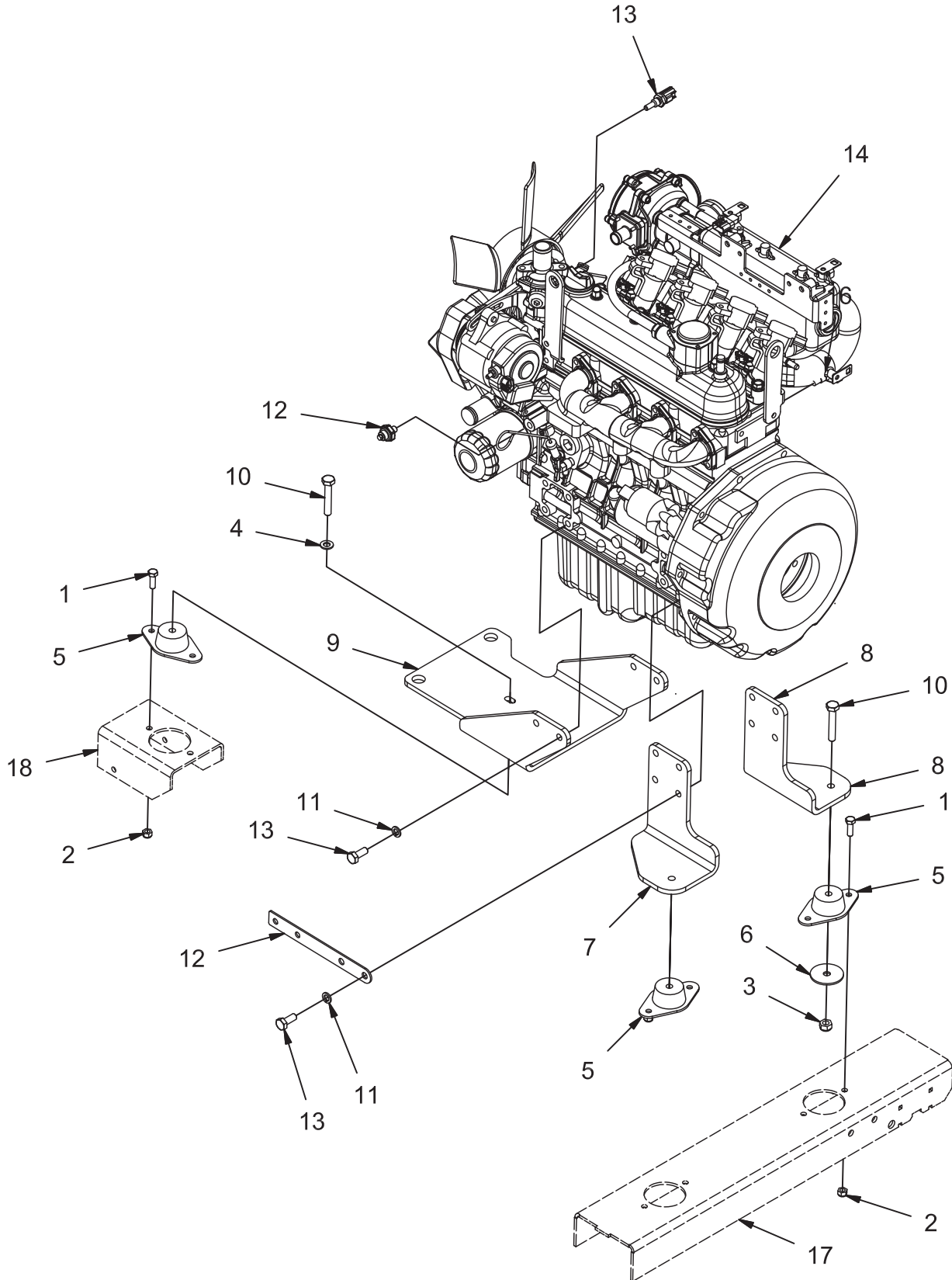


REV B

ENGINE MOUNT GROUP - GAS (730164)

Parts List - 730164			
ITEM	PART NO.	QTY	DESCRIPTION
1	11038247	6	BLT-HH M8-1.25 X 25 STL ZINC
2	12040051	6	NUT, M8-1.25 ESN
3	12040069	3	NUT, M10-1.50 ESN
4	12310058	1	WASHER, M10
5	600212	3	ISOLATOR, VIBRATION
6	600333	3	WASHER, SAFETY
7	600881	1	MOUNT, REAR OUTER DIESEL ENG
8	600882	1	MOUNT, REAR INNER DIESEL ENG
9	600899	1	MOUNT, FRONT DIESEL ENG
10	600925	3	BOLT, M10-1.50 X 60 HH
11	600945	12	LOCK WASHER, M10
12	620081	1	MOUNT, HARNESS
13	620082	12	BOLT, M10-1.25 X 25 HH ZP
14	620700	1	KUBOTA ENGINE - GAS A/N (CAT MUFFLER)
15	PART OF 620236	1	SWITCH, OIL PRESSURE (603001)
16	PART OF 620236	1	SWITCH, WATER TEMP (603000)
17	REFERENCE	1	FRAME
18	REFERENCE	1	FRAME
19	748535	1	HARNESS ASSY, ENGINE GROUND

ENGINE MOUNT GROUP - LPG (730163)

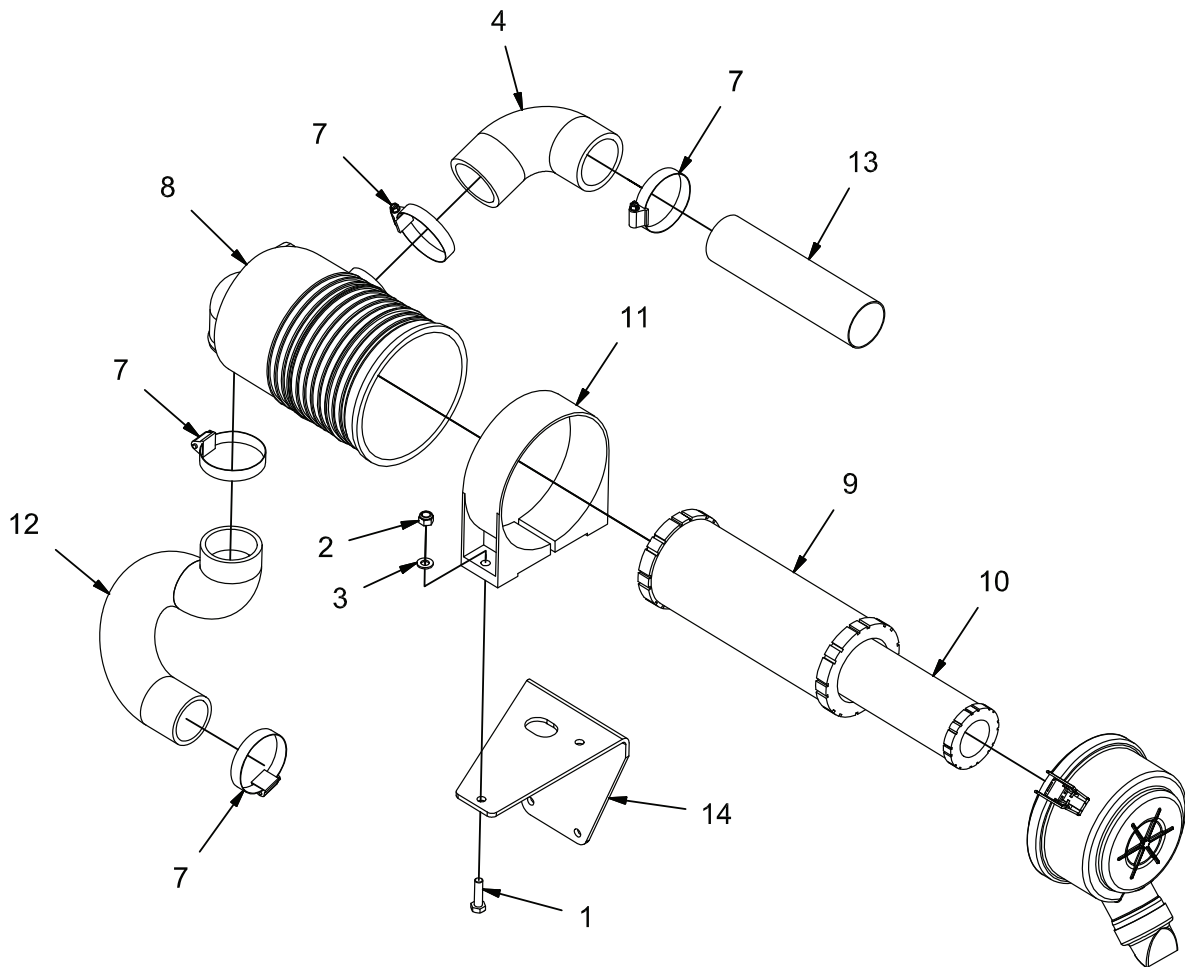


REV B

ENGINE MOUNT GROUP - LPG (730163)

Parts List - 730163			
ITEM	PART NO.	QTY	DESCRIPTION
1	11038254	2	BOLT, M8-125 X 30 HH
2	12040051	2	NUT, M8-1.25 ESN
3	12310041	2	WASHER, M8
4	3300396	1	ADAPTER, 2" 90
5	3303991	1	INDICATOR, FLTR SERVICE
6	3305640	1	FITTING, NIPPLE
7	3312189	4	CLAMP, HOSE, 2.00
8	3317917	1	HOUSING, AIR FLTR
9	3321143	1	ELEMENT, FLTR, PRIMARY
10	3322572	1	ELEMENT, FLTR, SAFETY
11	600385	1	MOUNTING BAND, AIR CLEANER
12	730319	1	HOSE, AIR INTAKE, DIESEL
13	730393	1	TUBE, AIR CLEANER INTAKE
14	731188	1	MOUNT, AIR CLEANER
15	PART OF 620235	1	SWITCH, OIL PRESSURE (603001)
16	PART OF 620235	1	SWITCH, WATER TEMP (603000)
17	REFERENCE	1	FRAME
18	REFERENCE	1	FRAME
19	748535	1	HARNESS ASSY, ENGINE GROUND

AIR CLEANER GROUP - DIESEL (730131)

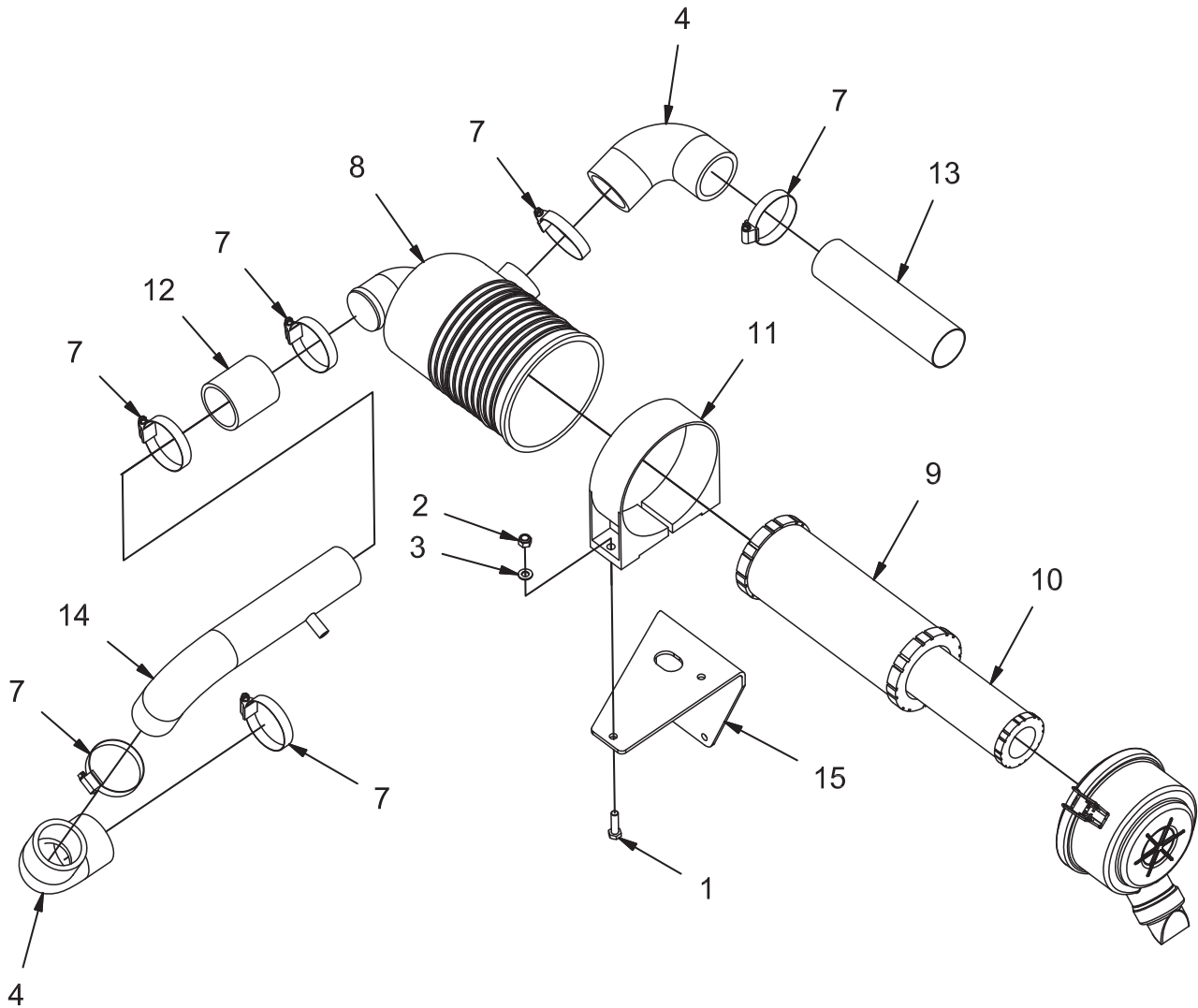


REV A

AIR CLEANER GROUP - DIESEL (730131)

Parts List - 730131			
ITEM	PART NO.	QTY	DESCRIPTION
1	11038254	2	BOLT, M8-125 X 30 HH
2	12040051	2	NUT, M8-1.25 ESN
3	12310041	2	WASHER, M8
4	3300396	2	ADAPTER, 2" 90
5	3303991	1	INDICATOR, FLTR SERVICE
6	3305640	1	FITTING, NIPPLE
7	3312189	6	CLAMP, HOSE, 2.00
8	3317917	1	HOUSING, AIR FLTR
9	3321143	1	ELEMENT, FLTR, PRIMARY
10	3322572	1	ELEMENT, FLTR, SAFETY
11	600385	1	MOUNTING BAND, AIR CLEANER
12	730319	1	HOSE, AIR INTAKE, DIESEL
13	730393	1	TUBE, AIR CLEANER INTAKE
14	731110	1	WELDMENT, GAS AIR INTAKE
***	731188	1	MOUNT, AIR CLEANER (NOT SHOWN)

AIR CLEANER GROUP - GAS (730129)

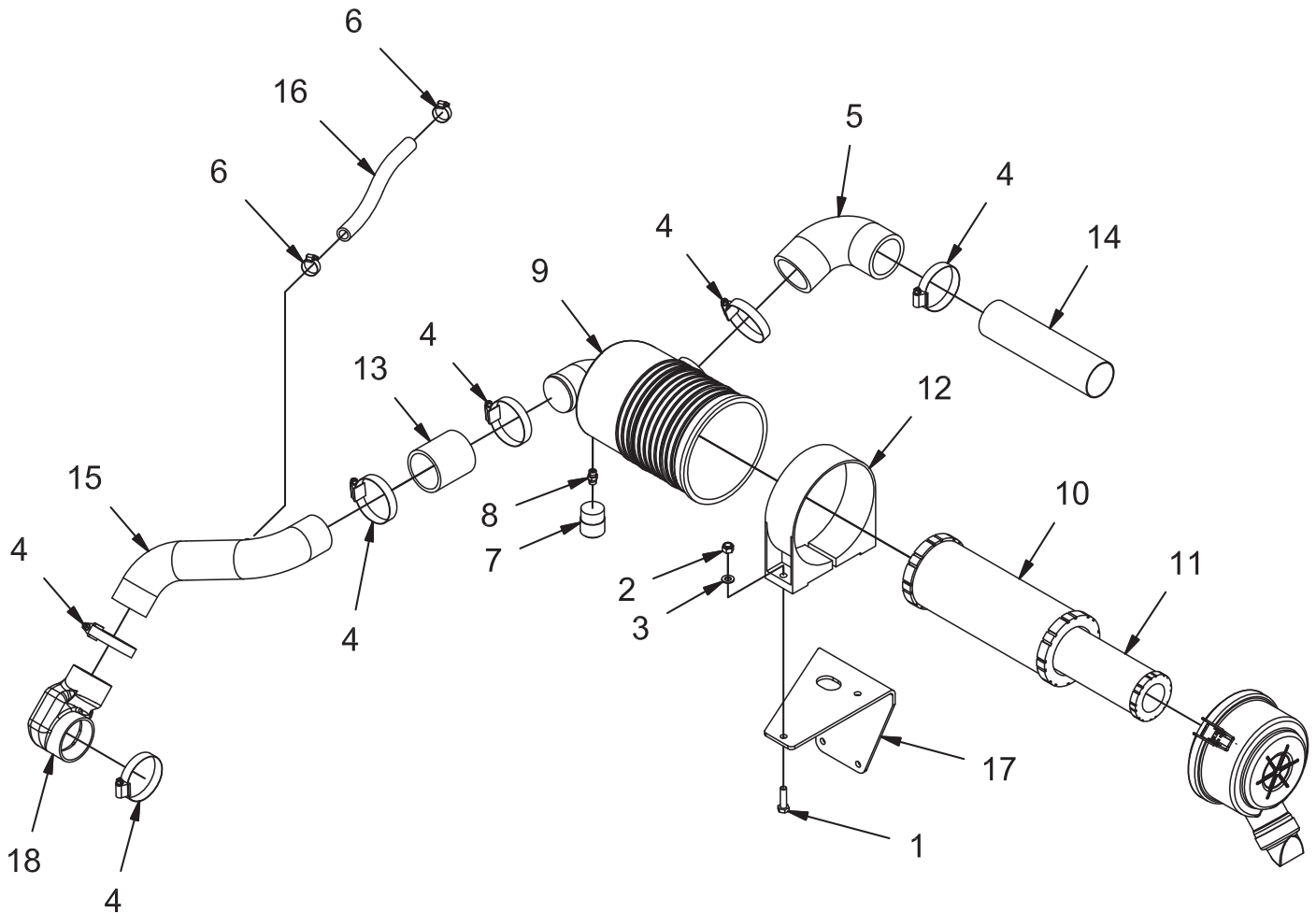


REV C

AIR CLEANER GROUP - GAS (730129)

Parts List - 730129			
ITEM	PART NO.	QTY	DESCRIPTION
1	11038254	2	BOLT, M8-125 X 30HH
2	12040051	2	NUT, M8-1.25 ESN
3	12310041	2	WASHER, M8
4	3300396	1	ADAPTER, 2" 90
5	3303991	1	INDICATOR, FLTR SERVICE (INCLUDES 3305640)
***	3305640	1	FITTING, NIPPL E(SERVICE PART-NOT SHOWN)
7	3312189	6	CLAMP - SCREW 1.25" to 2.25" DIA 201SS
8	3317917	1	HOUSING, AIR FLTR (INCLUDES FILTER ELEMENTS)
9	3321143	1	ELEMENT, FLTR, PRIMARY (SERVICE PART)
10	3322572	1	ELEMENT, FLTR, SAFETY (SERVICE PART)
11	600385	1	MOUNTING BAND, AIR CLEANER
12	730056	1	HOSE, 2.00 X 3.00
13	730393	1	TUBE, AIR CLEANER INTAKE
14	731110	1	WELDMENT, LPG AIR INTAKE
15	731188	1	MOUNT, AIR CLEANER
***	620662	1	ADAPTER, COBRA HEAD, AIR INTAKE (NOT SHOWN)

AIR CLEANER GROUP - LPG (730130)

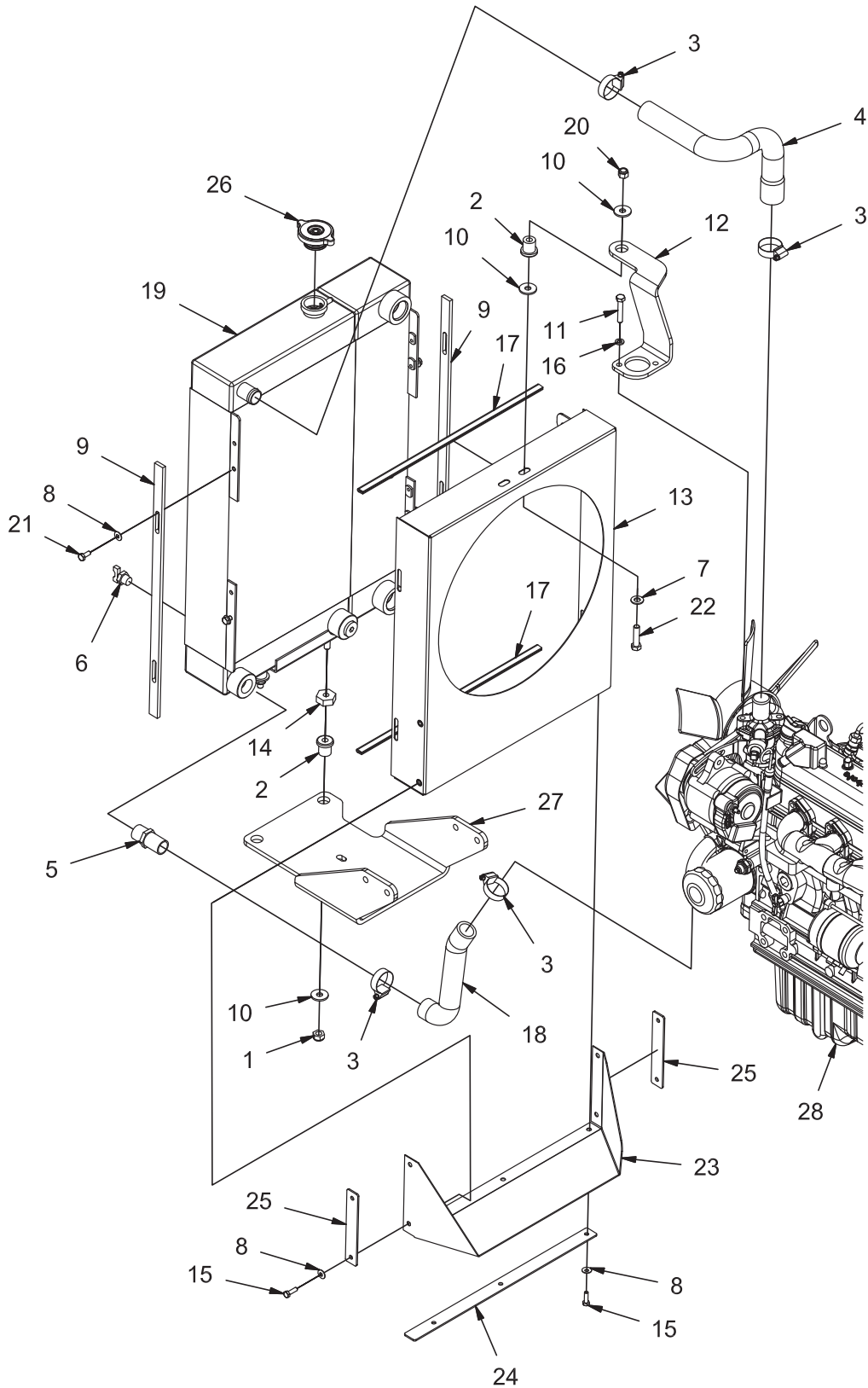


REV D

AIR CLEANER GROUP - LPG (730130)

Parts List - 730130			
ITEM	PART NO.	QTY	DESCRIPTION
1	11038254	2	SCR-HH M8-1.25 X 30 ZP CLASS 8.8
2	12040051	2	NUT-NYLOC M8 X 1.25 ZP CLASS 8
3	12310041	2	WASHER-FLAT M8.4 X 16 X 1.6 ZP
4	3044112	6	CLAMP - SCREW 1.5" to 2.5" DIA 201SS
5	3300396	1	ADAPTER-90 ELL RUBBER H DUTY AC
6	3300535	2	CLAMP - SCREW .5" to 1.25" DIA 201SS
7	3303991	1	INDICATOR-AIR CLEANER RESTRICTION
8	3305640	1	FTG-NIPPLE 1/8BPT-1/8NPT BRASS
9	3317917	1	AIR CLEANER-RADIAL FPG STYLE(PLASTIC)
10	3321143	1	ELEMENT-AIR CLNR/PLASTIC (SP)
11	3322572	1	ELEMENT-AIR CLNR/PLASTIC SAFETY (SP)
12	600385	1	MOUNT BAND AIR CLEANER
13	730056	1	HOSE 2.00 ID X 3.00 LG
14	730393	1	TUBE, AIR CLEANER INTAKE BLK
15	731128	1	WELDMENT, LPG AIR INTAKE
16	731175	1	HOSE, PCV, 16 IN
17	731188	1	MOUNT, AIR CLEANER BLK
18	620662	1	ADAPTER, COBRA HEAD, AIR INTAKE

RADIATOR GROUP (730132)

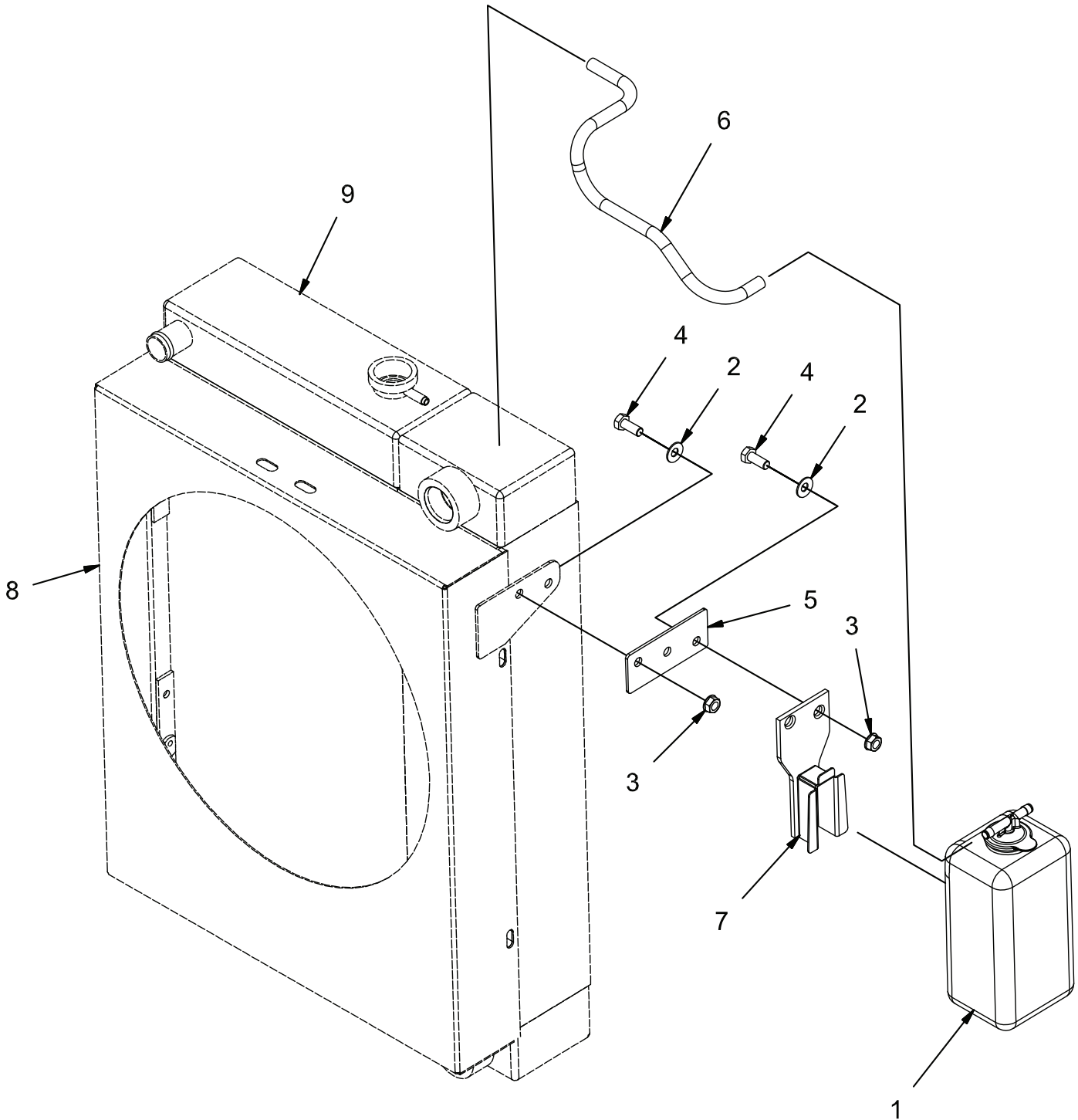


REV D

RADIATOR GROUP (730132)

Parts List - 730132			
ITEM	PART NO.	QTY	DESCRIPTION
1	12040069	2	NUT, M10-1.50 ESN
2	3300465	3	ISOLATOR, VIB
3	3302193	4	CLAMP, HOSE, .75 - 1.25
4	3332643	1	HOSE, UPPER RAD, DIESEL
5	3344231	1	FITTING, RADIATOR
6	3344232	1	PETCOCK
7	3400087	1	WASHER, 3/8
8	3400383	4	WASHER, 1/4 BELLEVILLE
9	600198	2	SPACER, SHROUD
10	600363	4	WASHER, ISOLATOR
11	600820	2	BOLT, M8-1.25 X 45 HH
12	600867	1	MOUNT, UPPER SHROUD, DIESEL
13	600875-1	1	ASSEMBLY, FAN SHROUD, DIESEL
14	600884	2	SPACER, ISOLATOR
15	600913	7	BOLT, M6-1.00 X 20 HH SS
16	600959	2	LOCK WASHER, M8
17	620064	2	SEAL, SHROUD
18	690020	1	HOSE, LOWER RADIATOR
19	690125	1	RADIATOR - OIL COOLER
20	711380	1	NUT, FIBER INSERT 3/8-16
21	713001	4	SCREW, 1/4-20 X .625 HHC
22	713044	1	SCREW, 3/8-16 X 1.50 HHC
23	731580	1	SHIELD
24	731581	1	RETAINER, BOTTOM
25	731582	2	RETAINER, SIDE
26	PART OF 3336679	1	RADIATOR CAP
27	REFERENCE	1	FRONT ENGINE MOUNT
28	REFERENCE	1	ENGINE, DSL, KUBOTA V1505

RADIATOR OVERFLOW BOTTLE GROUP (730133)

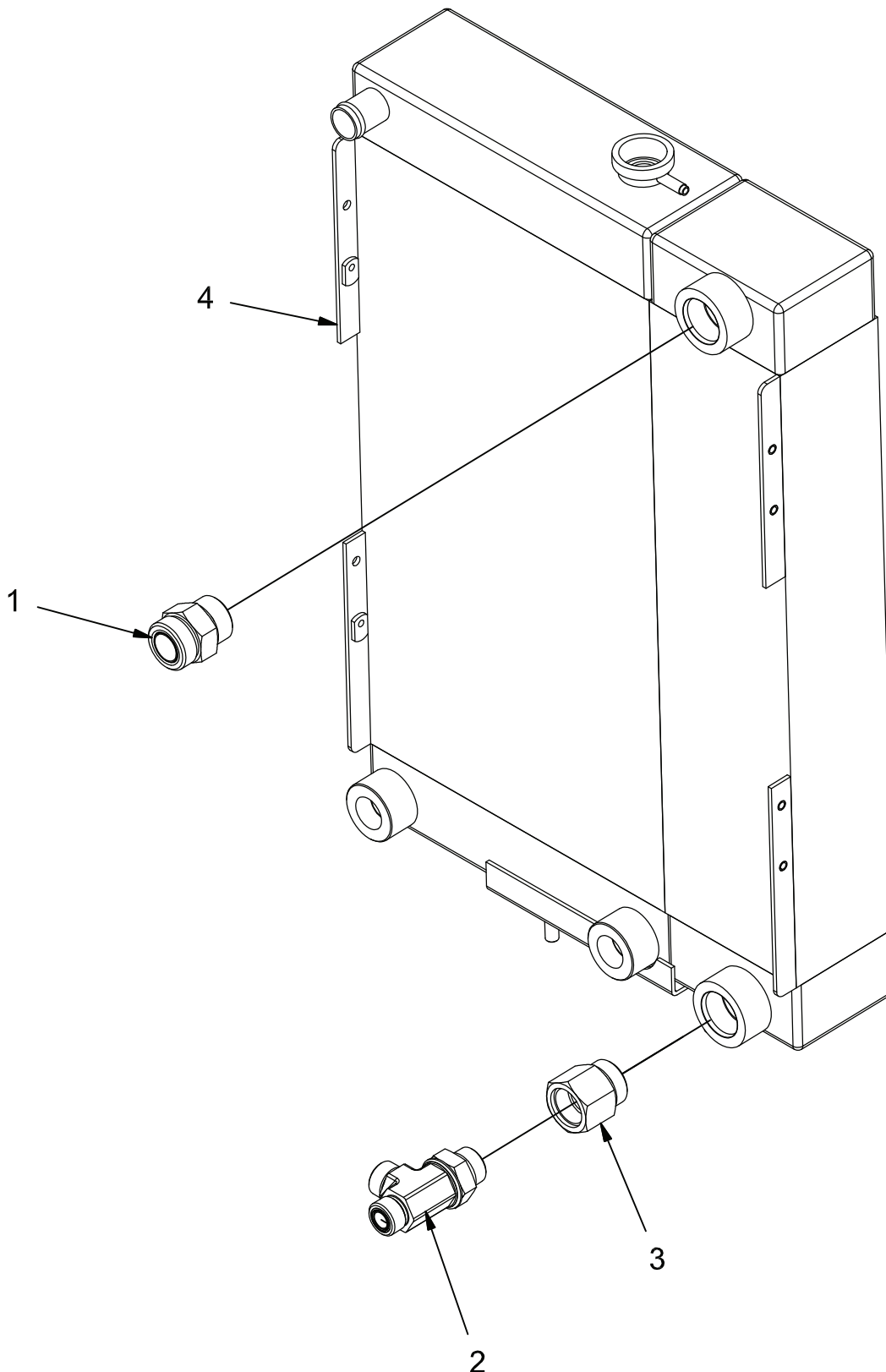


REV A

RADIATOR OVERFLOW BOTTLE GROUP (730133)

Parts List - 730133			
ITEM	PART NO.	QTY	DESCRIPTION
1	3318752	1	OVERFLOW BOTTLE
2	3400384	3	WASHER, 5/16 BELLEVILLE
3	600934	3	NUT, M8-1.25 FLNG
4	717024	3	BOLT, M8-1.25 X 20 HH
5	731165	1	MOUNT, OVERFLOW BOTTLE
6	PART OF 3318752	1	HOSE, OVERFLOW
7	PART OF 3318752	1	BRACKET, BOTTLE
8	REFERENCE	1	FAN SHROUD, DIESEL
9	REFERENCE	1	RADIATOR

OIL COOLER GROUP (730134)

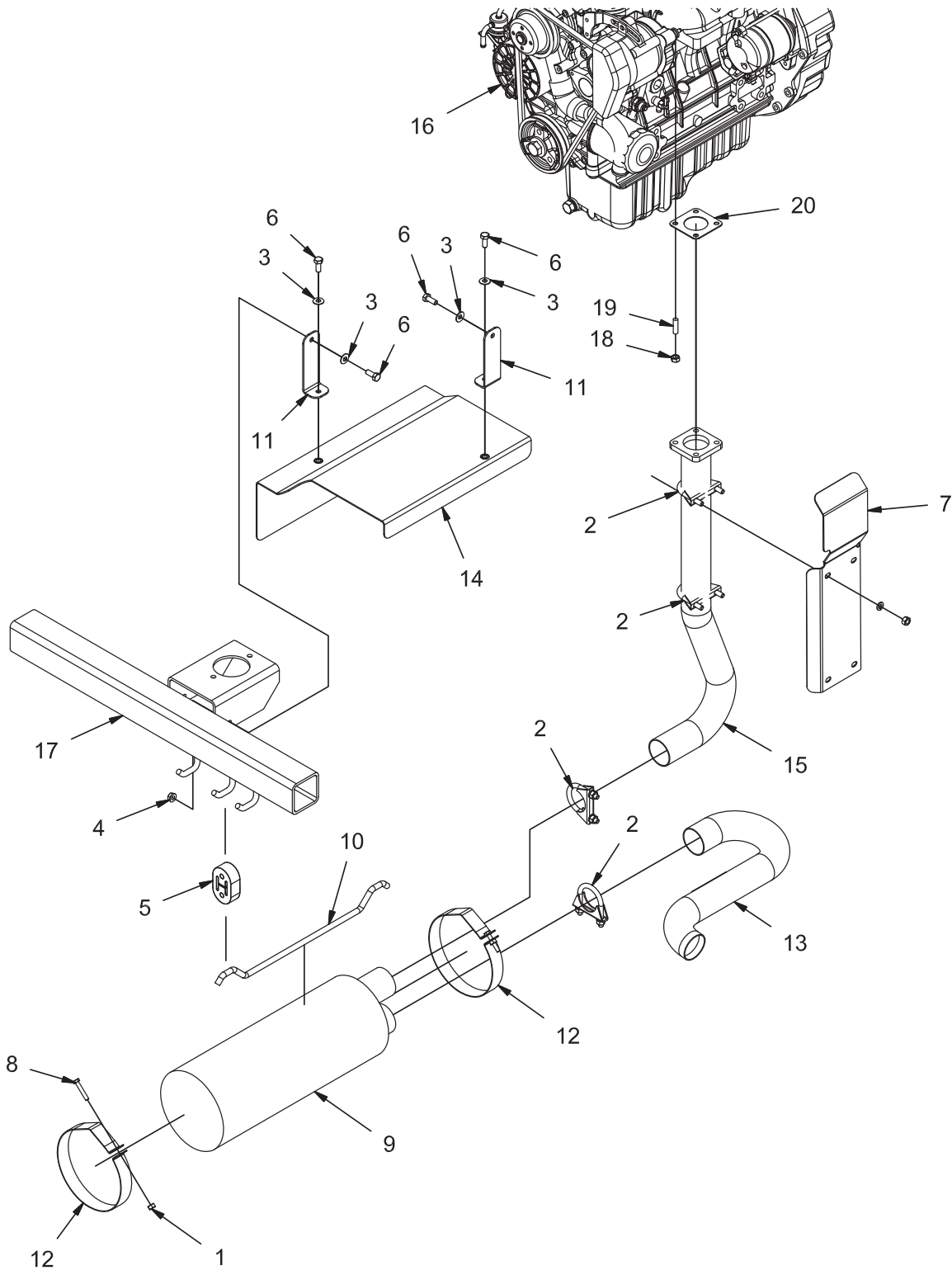


REV *

OIL COOLER GROUP (730134)

Parts List - 730134			
ITEM	PART NO.	QTY	DESCRIPTION
1	675505	1	FITTING, STR, 16 ORFS - 16 SAE
2	675554	1	FITTING, TEE, 10 ORFS - 12 SAE
3	675558	1	FITTING, REDUCER, 16 O-RING TO 12 O-RING
4	690125	1	RADIATOR-OIL COOLER, LP/GAS/DSL

EXHAUST GROUP - DIESEL (730154)

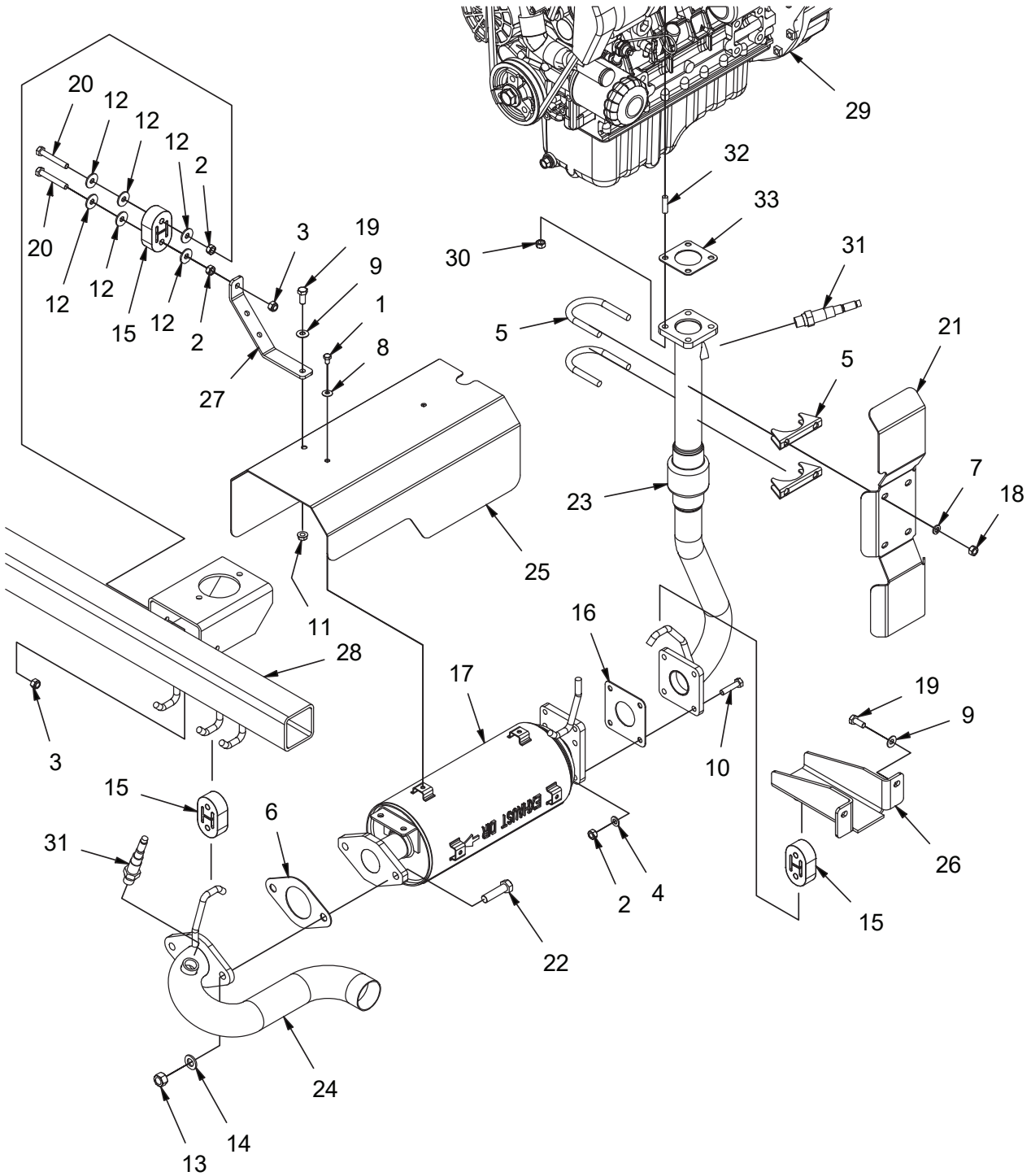


REV F

EXHAUST GROUP - DIESEL (730154)

Parts List - 730154			
ITEM	PART NO.	QTY	DESCRIPTION
1	12022042	2	NUT, M6-1.00 HEX
2	3302917	4	CLAMP, EXHAUST, 2 IN
3	3400384	4	WASHER, 5/16 BELLEVILLE
4	600934	1	NUT, M8-1.25 FLNG
5	620205	1	EXHAUST ISOLATOR
6	717024	4	BOLT, M8-1.25 X 20 HH
7	730419	1	HEAT SHIELD
8	730508	2	BOLT, M6-1.00 X 35 HH FULL THREAD SS
9	731177	1	MUFFLER
10	731178	1	HANGER, MUFFLER
11	731179	2	MOUNT, HEAT SHIELD
12	731180	2	STRAP, MUFFLER
13	731219	1	TAIL PIPE
14	731220-1	1	ASSEMBLY, HEAT SHIELD - DIESEL
15	731222	1	EXHAUST PIPE - DIESEL
16	REFERENCE	1	ENGINE, DSL, KUBOTA V1505
17	REFERENCE	1	FRAME
18	WITH ENGINE	4	NUT, M8-1.25 SS
19	WITH ENGINE	4	STUD, M8-1.25
20	WITH ENGINE	1	GASKET, EXHAUST

EXHAUST GROUP - GAS / LP (730178)

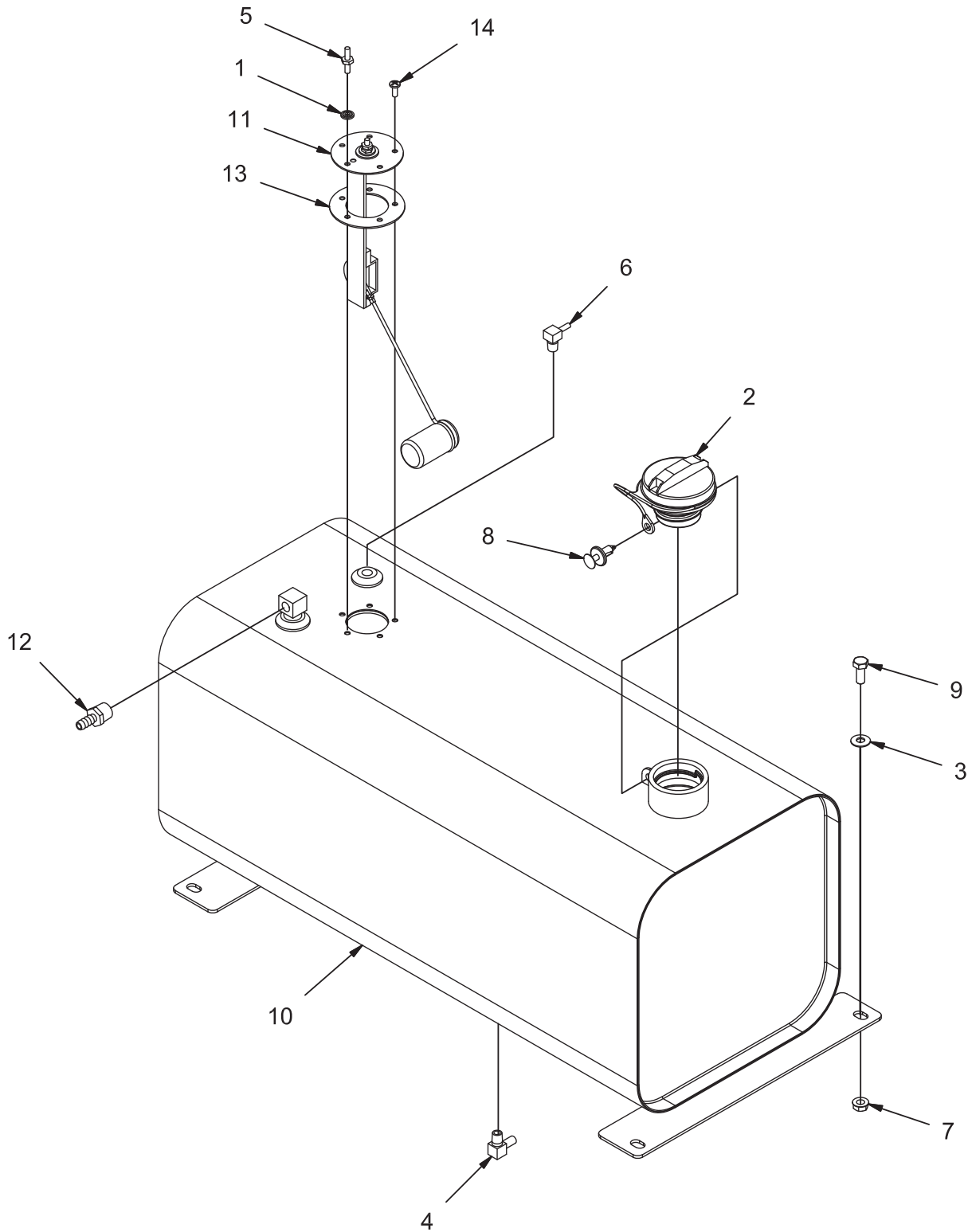


REV C

EXHAUST GROUP - GAS / LP (730178)

Parts List - 730178			
ITEM	PART NO.	QTY	DESCRIPTION
1	11038056	2	BLT-HH M6 X 1.0 X 10 STL ZD 8.8 DIN 933
2	12022059	6	NUT-HEX M8 X 1.25 STL ZD CL8 DIN 934
3	12040051	2	NUT-NYLOC M8 X 1.25 ZP CLASS 8
4	12310041	4	WASHER-FLAT M8.4 X 16 X 1.6 ZP
5	3302917	2	CLAMP-EXHAUST 2"
6	3345028	1	GASKET-CAT 1605 INLET
7	3400102	4	WASHER-LOCK 5/16 SPLIT ZP
8	3400383	2	WASHER-CONICAL SPRING 1/4
9	3400384	3	WASHER-CONICAL SPRING 5/16
10	600918	4	SCR-HH M8-1.25 X 35 ZP CLASS 8.8
11	600934	1	NUT-FLANGE WIZZ M8-1.25 ZP
12	600940	6	WASHER-FENDER M8 X 24 ZP
13	600949	2	NUT-HEX M12-1.75 ZP CLASS 8
14	600950	2	WASHER-FLAT M12 ZP
15	620205	3	EXHAUST ISOLATOR
16	690190	1	GASKET, CATALYST, 4 BOLT - 9X LP/GAS
17	690191	1	CATALYTIC CONVERTER, LP-GAS
18	711319	4	NUT-HEX 5/16-18 ZP
19	717024	3	SCR-HH M8-1.25 X 20 ZP GRADE 8.8
20	730507	2	SCR-HH M8-1.25 X 55 SS
21	730665	1	HEAT SHIELD ALUM, RAW
22	730667	2	SCR-HH M12-1.75 X 45 ZP CLASS 8.8
23	731327	1	WELDMENT, EXHAUST PIPE, GAS - LPG
24	731328	1	WELDMENT, EXHAUST PIPE
25	731432	1	HEAT SHIELD
26	731465	1	WELDMENT, EXHAUST HANGER
27	731483	1	BAR, HANGER
28	REFERENCE	1	FRAME
29	REFERENCE	1	ENGINE
30	WITH ENGINE	4	NUT, M8-1.25 SS
31	WITH ENGINE	2	O2 SENSOR
32	WITH ENGINE	4	STUD, M8-1.25
33	WITH ENGINE	1	GASKET, EXHAUST

FUEL TANK MOUNT GROUP - DIESEL (730140)

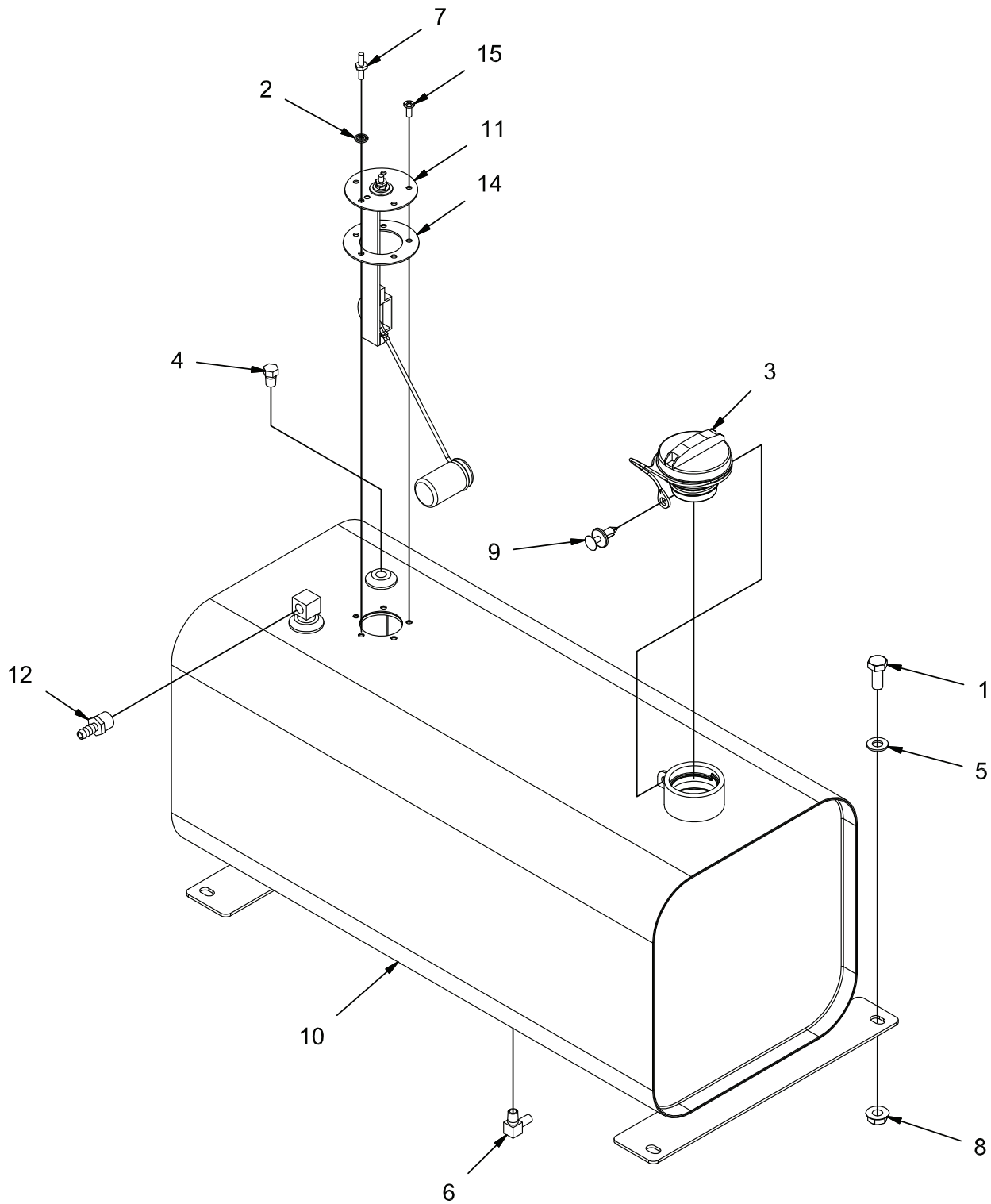


REV D

FUEL TANK MOUNT GROUP - DIESEL (730140)

Parts List - 730140			
ITEM	PART NO.	QTY	DESCRIPTION
1	3337019	1	SEAL - #10 BONDED NITRILE WASHER
2	3343413	1	CAP-FUEL TANK
3	3400384	4	WASHER-CONICAL SPRING 5/16
4	3401445	1	FTG-HOSE BARB 90° 5/16 X 1/4 NPT
5	3401579	1	SCR - HEX STANDOFF, 2X 10-32X.50 LG
6	3402022	1	FTG-ELBOW 90 1/4 MPT X 1/4 HB BRASS
7	600934	4	NUT-FLANGE WIZZ M8-1.25 ZP
8	600965	1	FASTENER-PUSH TYPE RETAINER
9	717024	1	SCR-HH M8-1.25 X 20 ZP GRADE 8.8
10	730313	1	TANK, FUEL
11	730322	1	SENDING UNIT, FUEL LEVEL
12	731389	1	SOLUTION DELIVERY BAR
13	PART OF 730322	1	GASKET
14	PART OF 730322	4	SCREW #10-32 X .50

FUEL TANK MOUNT GROUP - GAS (730139)

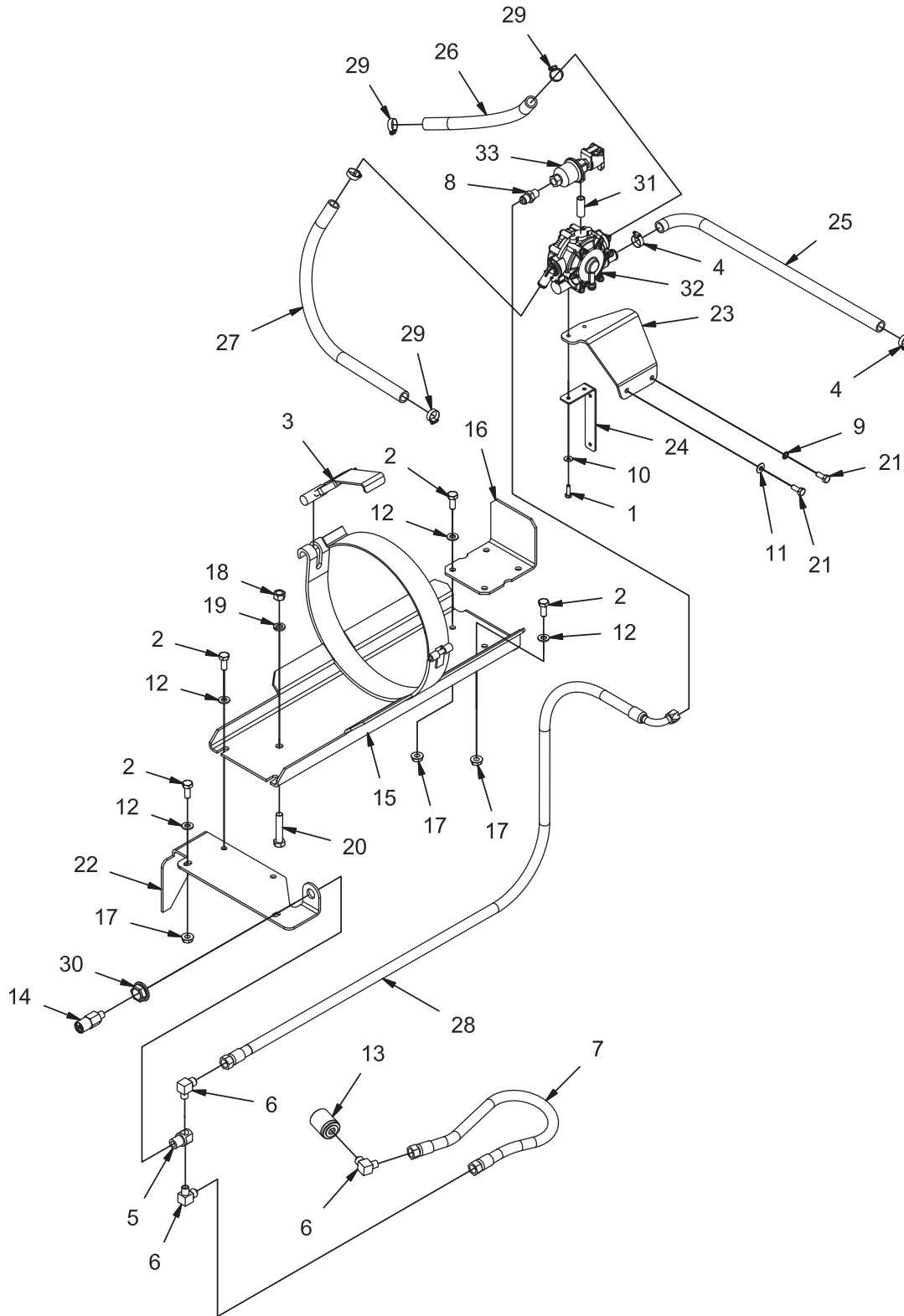


REV C

FUEL TANK MOUNT GROUP - GAS (730139)

Parts List - 730139			
ITEM	PART NO.	QTY	DESCRIPTION
1	11038346	4	BOLT, M10-1.50 X 25 HH
2	3337019	1	SEAL, #10
3	3343413	1	CAP, FUEL TANK
4	3400256	1	PLUG, 1/4 NPT
5	3400385	4	WASHER, 3/8, BELLEVILLE
6	3401445	1	FITTING, 90, 1/4 NPT X 5/16 BARB
7	3401579	1	SCREW, HEX, STANDOFF, 2X #10-32 X .50
8	600936	4	NUT, M10-1.50 FLNG
9	600965	1	FASTENER, PRESS-IN
10	730313	1	TANK, FUEL
11	730322	1	SENDING UNIT, FUEL LEVEL
12	731387	1	FITTING, 3/8 NPT - 5/16 HOSE BARB
13	748990-1	1	HARNES, FUEL PUMP
14	PART OF 730322	1	GASKET
15	PART OF 730322	4	SCREW #10-32 X .50

LPG TANK MOUNT GROUP (730138)

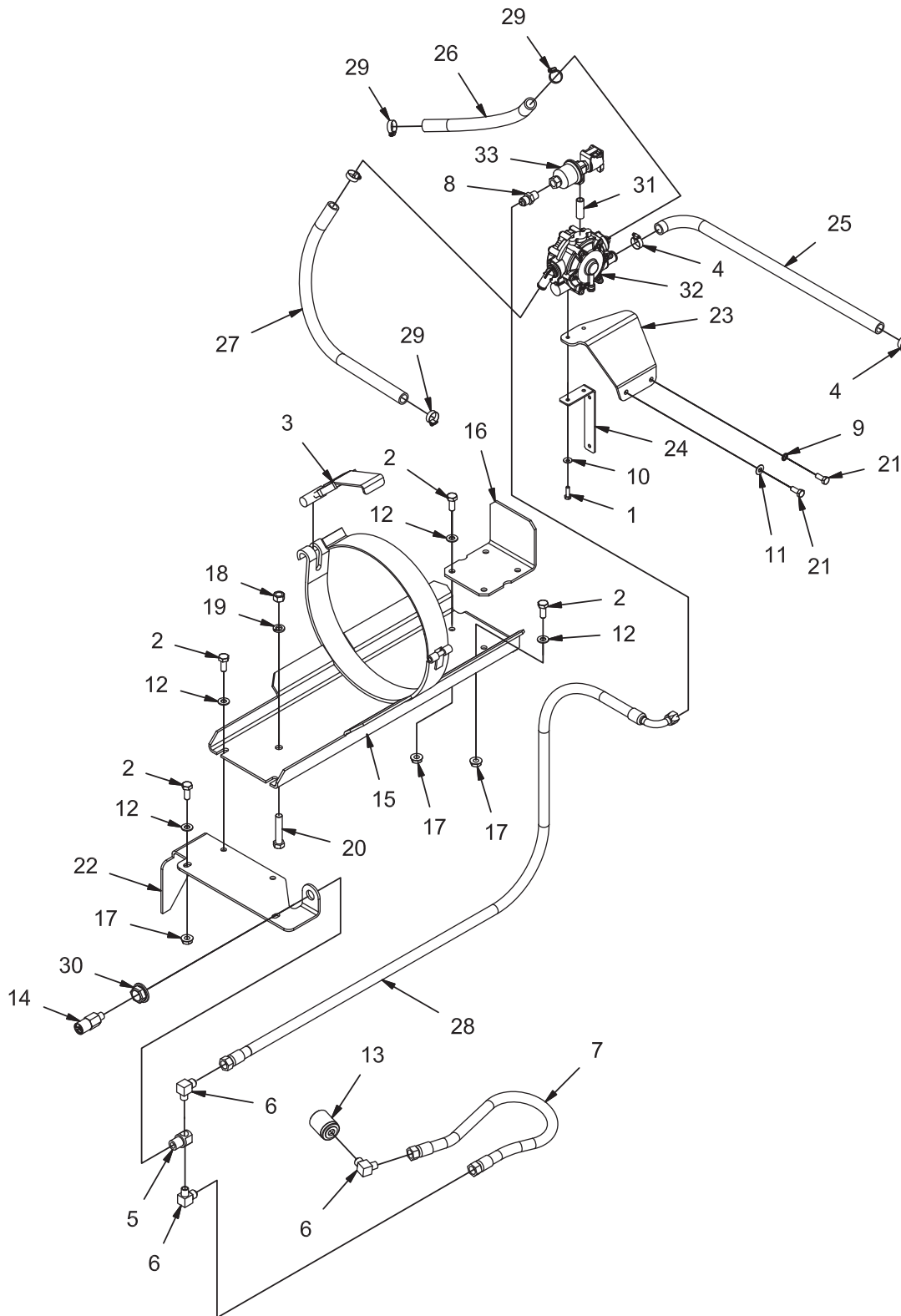


REV G

LPG TANK MOUNT GROUP (730138)

Parts List - 730138			
ITEM	PART NO.	QTY	DESCRIPTION
1	11038098	2	SCR-HH M6-1.0 X 20 ZP CLASS 8.8 DIN
2	11038346	8	SCR-HH M10-1.5 X 25 ZD CLASS 8.8
3	220131	1	BUCKLE
4	3300535	2	CLAMP-HOSE 1.00 NOM
5	3316511	1	FITTING, BULKHEAD ASSEMBLY
6	3334037	3	FTG-MALE ELBOW 49 X 6
7	3335375	1	HOSE - 5/16 LP 28.5 SAE 45 ST#6 ST#6
8	3342097	1	3/8 MALE SAE FLARE X 1/4 NPT
9	3400273	1	WASHER-INT LOCK 5/16 ZP
10	3400383	2	WASHER-CONICAL SPRING 1/4
11	3400384	1	WASHER-CONICAL SPRING 5/16
12	3400385	8	WASHER-CONICAL SPRING 3/8
13	3400860	1	FTG-LP TANK CONNECT
14	3400862	1	VALVE-LP RELIEF
15	600459-1	1	WELDMENT, LPG MOUNT
16	600461-1	1	LPG MNT, STOP
17	600936	8	NUT-FLANGE WIZZ M10-1.50 ZP GR 8
18	600949	1	NUT-HEX M12-1.75 ZP CLASS 8
19	600961	1	WASHER-LOCK M12 STL ZP CLEAR
20	620036	1	SCR-HH M12-1.75 X 60 ZP CLASS 8.8
21	717024	2	SCR-HH M8-1.25 X 20 ZP GRADE 8.8
22	730533	1	MOUNT, LPG VALVE DG
23	730890	1	BRACKET, VAPORIZER DG
24	731164	1	MOUNT, FUSE BOX
25	731167	1	HOSE, VAPORIZER TO CARB, 26 IN
26	731173	1	HOSE, COOLANT, 5/8 IN ID X 15.0 IN LG
27	731174	1	HOSE, COOLANT, 5/8 IN ID X 43.0 IN LG
28	731186	1	HOSE, LPG, 6 SAE STR - 6 SAE 90
29	829129	4	CLAMP-HOSE WORM-22MM HOSE DIA. 5/16
30	PART OF 3316511	1	NUT, VALVE MOUNT
31	PART OF ENGINE	1	FITTING, NIPPLE
32	PART OF ENGINE	1	VAPORIZER (13098-62401_)
33	PART OF ENGINE	1	SOLENOID AND LOCK OFF (EG523-46951)

CE LPG TANK MOUNT GROUP (730138-CE)

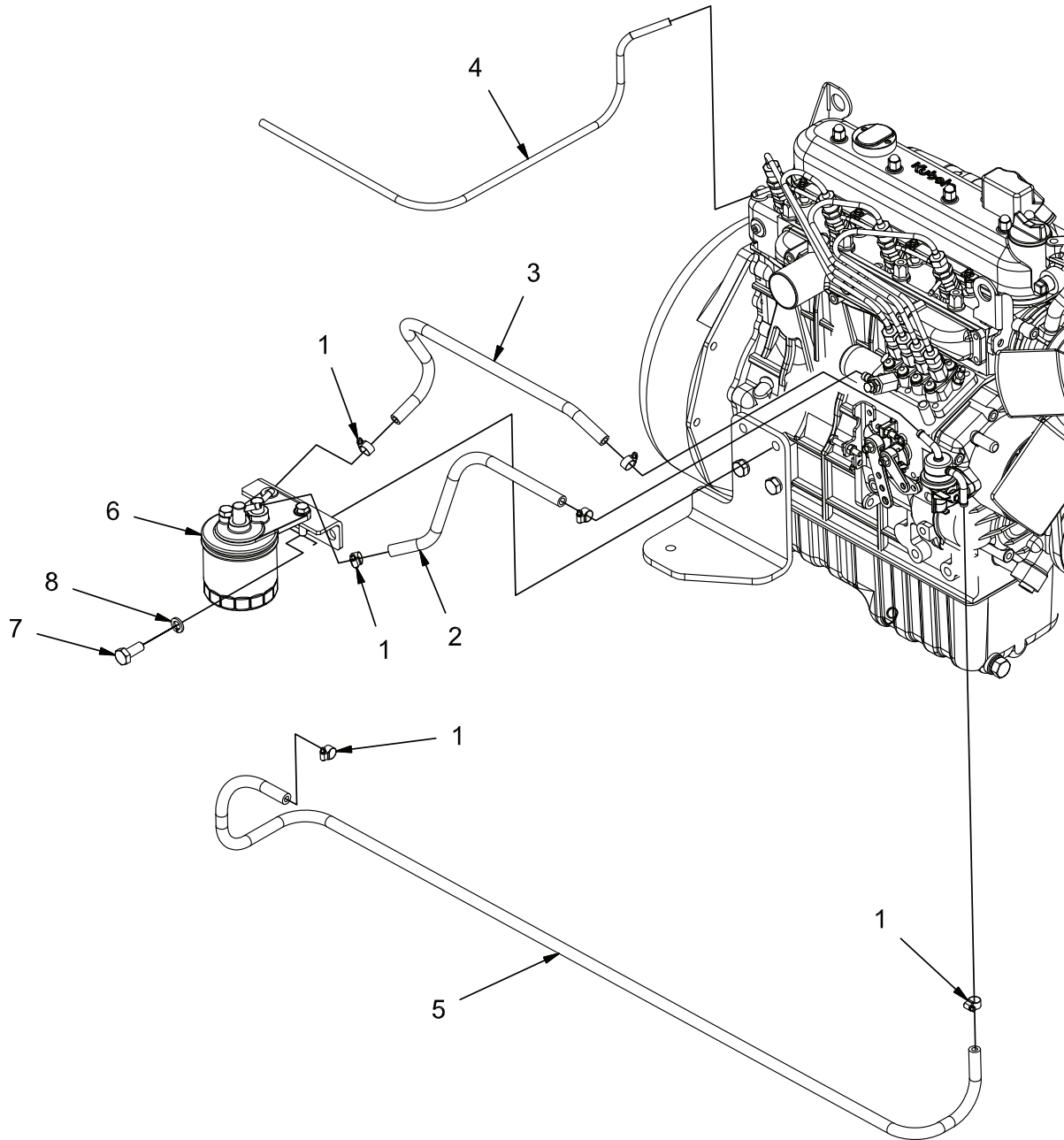


REV B

CE LPG TANK MOUNT GROUP (730138-CE)

Parts List - 730138-CE			
ITEM	PART NO.	QTY	DESCRIPTION
1	11038098	2	BOLT, M6-100 X 20 HH
2	11038346	8	BOLT, M10-1.50 X 25 HH
3	220131	1	BUCKLE
4	3300535	2	CLAMP, HOSE, .50
5	3316511	1	BODY, VALVE MOUNT
6	3334037	2	FITTING, 90, BRASS, LPG
7	3335375-CE	1	HOSE, LPG, TO TANK
8	3342097	2	FTG SAE 5/8-18 45 DEGREE FLARE
9	3400273	1	WASHER, STAR, .31, INT. ZP
10	3400383	2	WASHER, 1/4 BELLEVILLE
11	3400384	1	WASHER, 5/16 BELLEVILLE
12	3400385	8	WASHER, 3/8, BELLEVILLE
13	3400860	1	FTG-LP TANK CONNECT
14	3400862	1	LPG RELIEF VALVE
15	600459-1	1	WELDMENT, LPG MNT
16	600461-1	1	ANGLE, LPG STOP
17	600936	8	NUT, M10-1.50 FLNG
18	600949	1	NUT, M12-1.75
19	600961	1	LOCK WASHER, M12
20	620036	1	BOLT, M12-1.75 X 60 HH FULL THREAD
21	717024	2	BOLT, M8-1.25 X 20 HH
22	730533	1	MOUNT, LPG VALVE
23	730890	1	BRACKET, VAPORIZER
24	731164	1	MOUNT, FUSE BOX
25	731167-CE	1	HOSE, VAPORIZER TO CARB
26	731173	1	HOSE, COOLANT, 5/8" ID X 15.0" LG
27	731174	1	HOSE, COOLANT, 5/8" ID X 43.0" LG
28	731186-CE	1	HOSE, LPG TANK TO VAPORIZER
29	829129	4	CLAMP, HOSE
30	PART OF 3316511	1	NUT, VALVE MOUNT
31	PART OF ENGINE	1	FITTING, NIPPLE
32	PART OF ENGINE	1	VAPORIZER (13098-62401_)
33	PART OF ENGINE	1	SOLENOID AND LOCK OFF (EG523-46951)

FUEL LINE GROUP - DIESEL (730153)

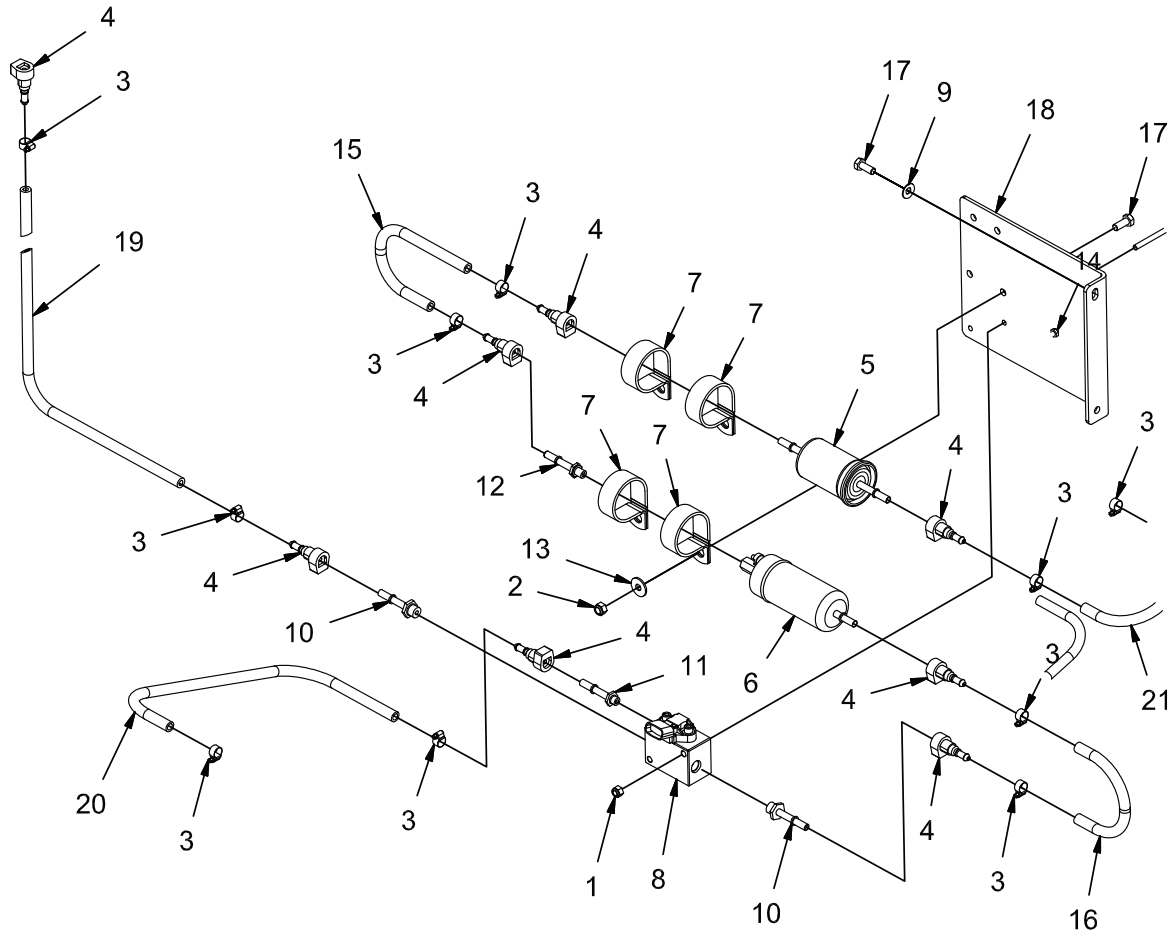


REV *

FUEL LINE GROUP - DIESEL (730153)

Parts List - 730153			
ITEM	PART NO.	QTY	DESCRIPTION
1	3302338	6	CLAMP, HOSE, .50
2	620001	1	HOSE.FUEL, 5/16 ID 12.00 LG, SAE30R7
3	620061	1	HOSE.FUEL, 5/16 ID 18.00 LG, SAE30R7
4	PART OF ENGINE	1	HOSE.FUEL, 1/8 ID, SAE30R7
5	PART OF ENGINE	1	HOSE.FUEL, 5/16 ID, SAE30R7
6	PART OF ENGINE	1	FUEL FILTER ASSEMBLY
7	REFERENCE	1	BOLT, M10-1.50 X 25 HH
8	REFERENCE	1	LOCKWASHER, M10
9	REFERENCE	1	ENGINE, DSL, KUBOTA V1505

FUEL COMPONENT GROUP - GAS (730141)

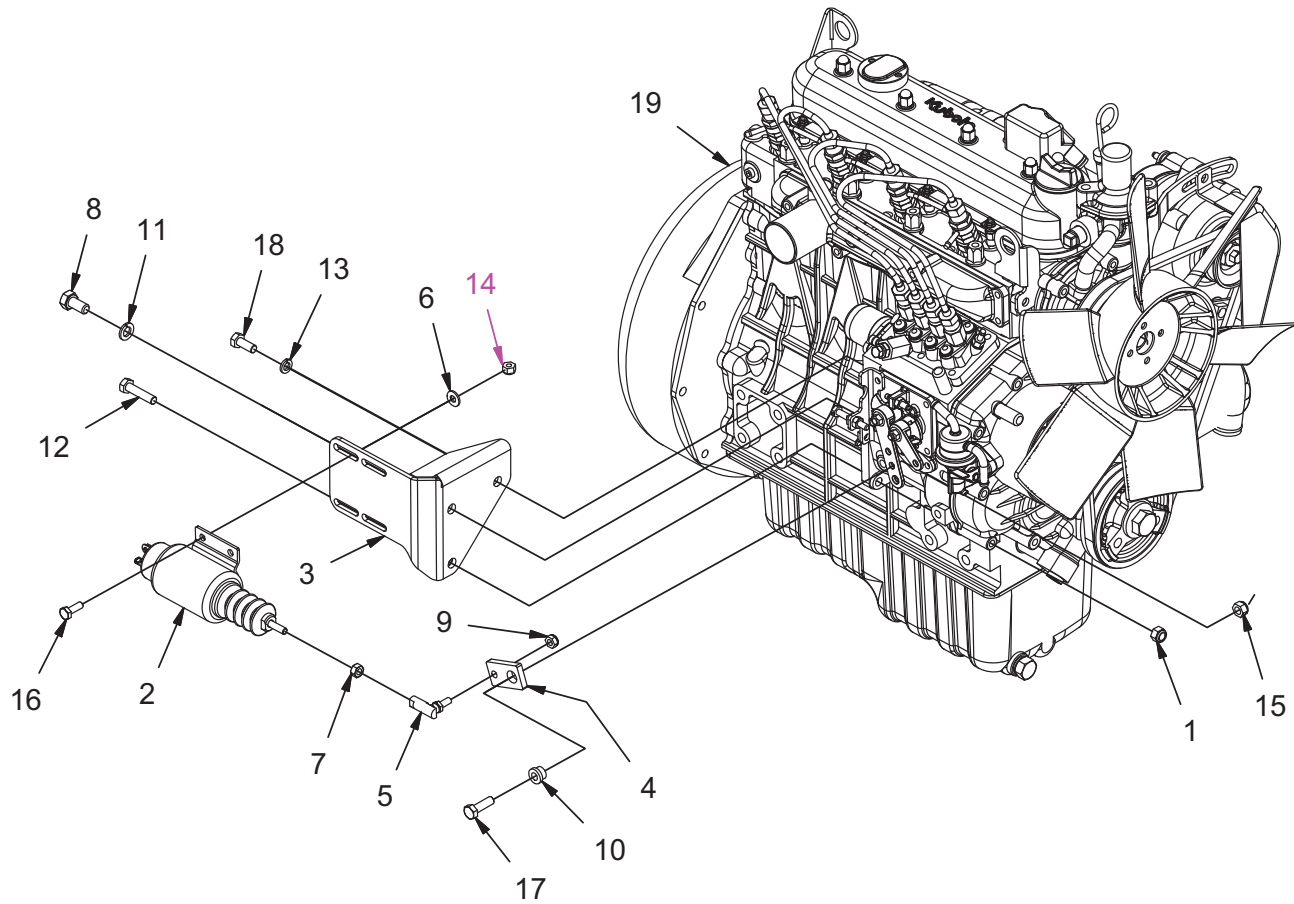


REV *

FUEL COMPONENT GROUP - GAS (730141)

Parts List - 730141			
ITEM	PART NO.	QTY	DESCRIPTION
1	3302338	6	CLAMP, HOSE, .50
2	620001	1	HOSE.FUEL, 5/16 ID 12.00 LG, SAE30R7
3	620061	1	HOSE.FUEL, 5/16 ID 18.00 LG, SAE30R7
4	PART OF ENGINE	1	HOSE.FUEL, 1/8 ID, SAE30R7
5	PART OF ENGINE	1	HOSE.FUEL, 5/16 ID, SAE30R7
6	PART OF ENGINE	1	FUEL FILTER ASSEMBLY
7	REFERENCE	1	BOLT, M10-1.50 X 25 HH
8	REFERENCE	1	LOCKWASHER, M10
9	REFERENCE	1	ENGINE, DSL, KUBOTA V1505
1	12040044	2	NUT, M6-1.00 ESN
2	12040051	4	NUT, M8-1.25 ESN
3	3302338	10	CLAMP, HOSE, .50
4	3342207	8	FITTING, ADAPTER, FUEL
5	3342209	1	FILTER, FUEL
6	3343536	1	PUMP, FUEL
7	3343539	4	CLAMP' 2"
8	3343617	1	MANIFOLD, FUEL PRESSfTEMP
9	3400384	2	WASHER, 5/16 BELLEVILLE
10	3401088	2	FTG-ADAPTER, FUEL 1/2-20 W/0-RING
11	3401089	1	FTG-ADAPTER, FUEL 3/8-24 W/0-RING
12	3401090	1	FITTING & GASKET FOR FUEL PUMP
13	600940	4	WASHER, M8 FENDER
14	600953	2	BOLT, M6-1.00 X 50 HH
15	620001	1	HOSE.FUEL, 5/16 ID X 12.00 LG, SAE30R7
16	620002	1	HOSE,FUEL, 5/16 ID X 10.00 LG, SAE30R7
17	717024	6	BOLT, M8-1.25 X 20 HH
18	730311	1	MOUNT, FUEL FILTER
19	620249	1	HOSE, FUEL 5/16 ID 40.00 LG, EVAP RATED
20	620250	1	HOSE, FUEL 5/16 ID 20.00 LG, EVAP RATED
21	620251	1	HOSE, FUEL 5/16 ID 32.00 LG, EVAP RATED

THROTTLE SOLENOID GROUP - DIESEL (730151)



REV B

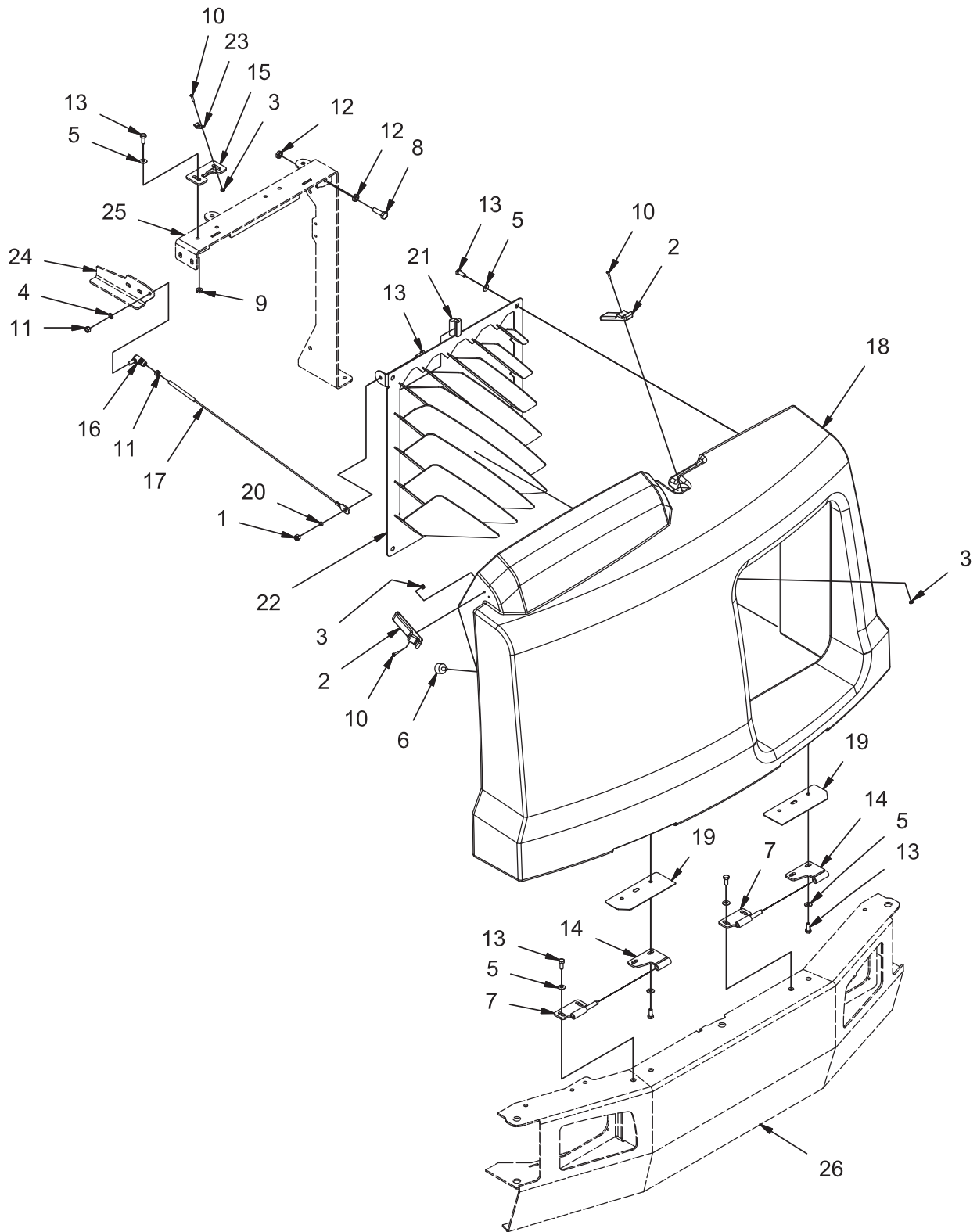
THROTTLE SOLENOID GROUP - DIESEL (730151)

Parts List - 730151			
ITEM	PART NO.	QTY	DESCRIPTION
1	12040051	1	NUT-NYLOC M8 X 1.25 ZP CLASS 8
2	3335303	1	SOLENOID-THROTTLE SOLENOID KIT V1505
3	3335358	1	BRKT-THROTTLE SOLENOID MOUNT
4	3335364	1	PLATE- KBA V1505 DSL SOLENOID THRTTLE
5	3342225	1	BALL JOINT 1/4-28 STD LG
6	3400089	4	WASHER-FLAT 1/4 ZP
7	3400180	1	NUT-HEX 1/4-28 ZP GR 5
8	3400293	1	SCR-HH M10-1.25PX20 ZP CLASS 8.8
9	3400373	1	NUT-JAM 1/4-28 ZP NYLOC
10	3401071	1	BUSHING-FLING .312 ID X .50 OD X .375L
11	3401458	1	WASHER-LOCK 10MM SPLIT ZP
12	600918	1	SCR-HH M8-1.25 X 35 ZP CLASS 8.8
13	600959	2	WASHER-LOCK M8 ZINC SPLIT
14	711373	4	NUT-NYLOC 1/4-20 ZP
15	711374	1	NUT-NYLOC 5/16-18 ZP
16	713002	4	SCR-HH 1/4-20 X .75 ZP 5
17	713027	1	SCR-HH 5/16-18 X 1 ZP GR 5
18	717024	1	SCR-HH M8-1.25 X 20 ZP GRADE 8.8
19	REFERENCE	1	ENGINE, DSL, KUBOTA V1505

BATTERY GROUP (730142)

Parts List - 730142			
ITEM	PART NO.	QTY	DESCRIPTION
1	12040051	2	NUT, M8-1.25 ESN
2	3300440	1	BATTERY, 12V
3	3301076	1	HOLD DOWN, BATTERY
4	3301079	2	ROD, BATTERY TIE DOWN
5	3400085	2	WING NUT, 1/4-20 ZP
6	3400089	2	WASHER, 1/4 .625 X .281 X .063
7	717024	2	BOLT, M8-1.25 X 20 HH
8	730390	1	TRAY, BATTERY
9	748993	1	CABLE, BATTERY, POS
10	748994	1	CABLE, BATTERY, NEG
11	742740	1	BOOT, TERM, RED
12	PART OF CABLE	1	BOOT, BATTERY, BLACK
13	PART OF CABLE	1	BOOT, BATTERY, RED
14	REFERENCE	1	BOLT, M10-1.25 X 25 HH ZP
15	REFERENCE	1	LOCKWASHER, M10
16	REFERENCE	1	ENGINE MOUNT
17	REFERENCE	1	ENGINE

FRONT COVER GROUP (730143)

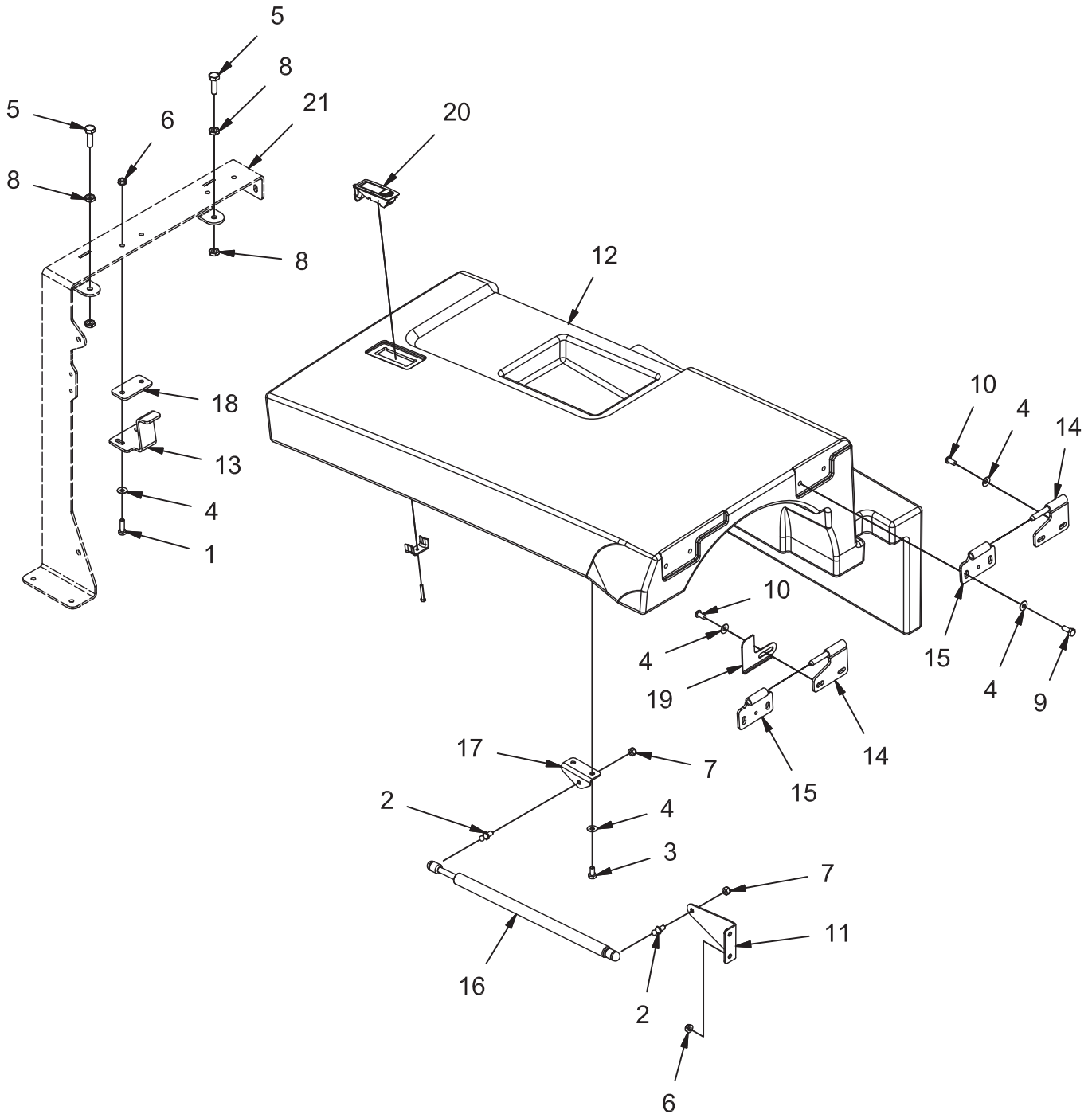


REV E

FRONT COVER GROUP (730143)

Parts List - 730143			
ITEM	PART NO.	QTY	DESCRIPTION
1	12040051	1	NUT, M8-1.25 ESN
2	3307719	1	DRAW LATCH
3	3400082	4	NUT, FIBER INSERT #8-32
4	3400102	1	LOCK WASHER, 5/16 HS MED
5	3400384	14	WASHER, 5/16 BELLEVILLE
6	600220	1	BUMPER, 1.00 X .625 T
7	600383	2	WELDMENT, HINGE, MALE, LG
8	600924	1	BOLT, M10-1.50 X 35 HH FULL THRO
9	600934	2	NUT, M8-1.25 FLNG
10	710230	4	SCREW, #8-32 X .62 PAN HD
11	711322	2	NUT, HEX 5/16-24 ZP
12	717014	2	NUT, M10-1.50 JAM
13	717024	15	BOLT, M8-1.25 X 20 HH
14	730407	2	WELDMENT, HINGE, FEM
15	730429	1	MOUNT, STRIKER
16	730430	1	BALL JOINT, .312, QUICK RELEASE
17	730431	1	CABLE ASSEMBLY
18	730446	1	FRONT COVER
19	730447	2	COVER, HINGE
20	730448	1	SPACER, .328 B .375 OD .188 T
21	731265	1	EDGING, GRILL
22	731861	1	WELDMENT, GRILLE
23	PART OF 3307719	1	KEEPER
24	REFERENCE	1	CONSOLE MTG ANGLE
25	REFERENCE	1	COVER FRAME
26	REFERENCE	1	FRAME

TOP COVER GROUP (730144)

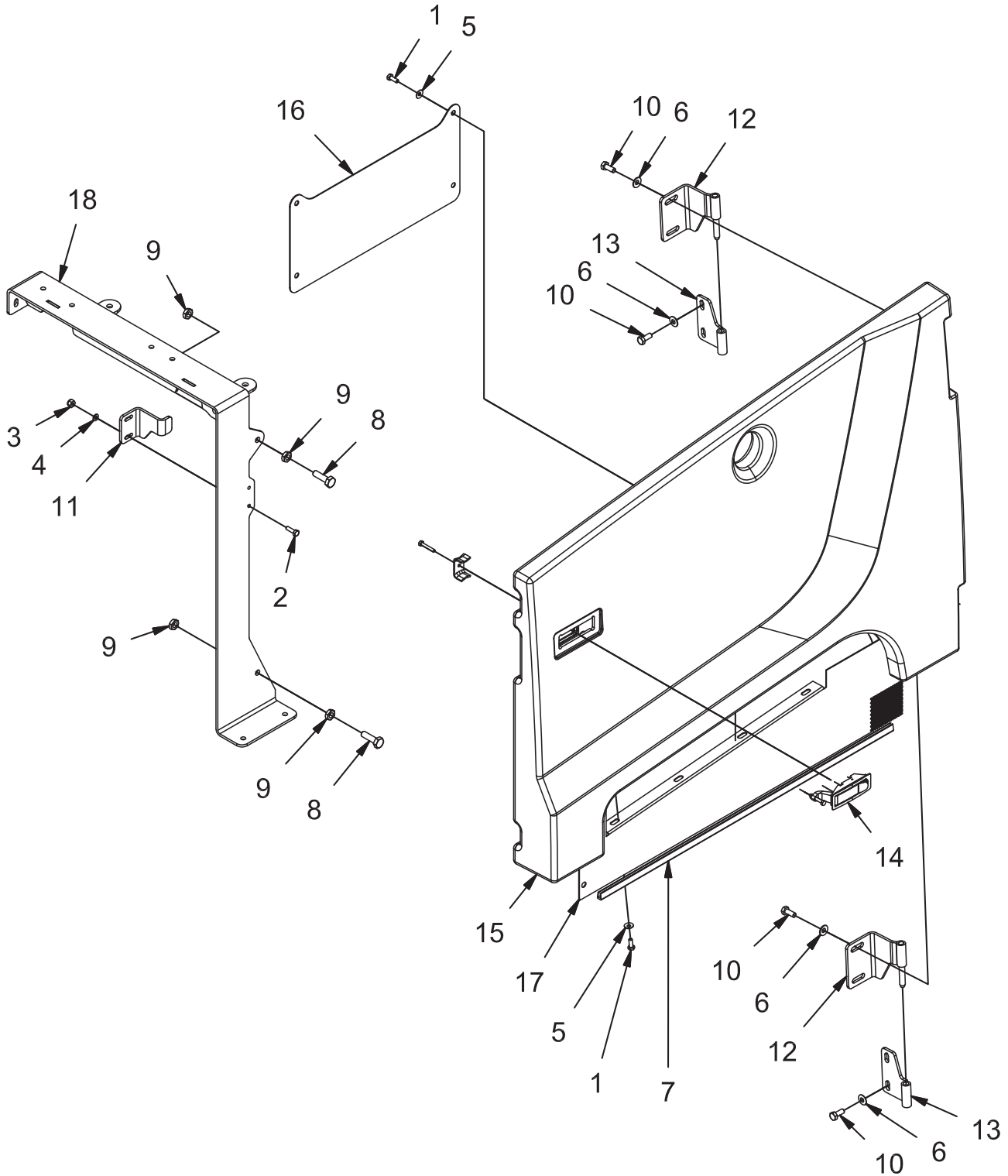


REV F

TOP COVER GROUP (730144)

Parts List - 730144			
ITEM	PART NO.	QTY	DESCRIPTION
1	11038247	2	SCR-HH M8-1.25 X 25 ZP CLASS 8.8
2	3300376	2	STUD-BALL GAS SPR 5/16-18 THRD .391DIA.
3	3400291	2	SCR-HH M8-1.25 X 16 ZP CLASS 8.8
4	3400384	12	WASHER-CONICAL SPRING 5/16
5	600924	2	SCR-HH M10-1.5 X 35 ZP CLASS 8.8
6	600934	4	NUT-FLANGE WIZZ M8-1.25 ZP
7	711374	2	NUT-NYLOC 5/16-18 ZP
8	717014	4	NUT-HEX M10 X 1.5 ZP
9	717024	3	SCR-HH M8-1.25 X 20 ZP GRADE 8.8
10	730399	4	SCR-BHSCS M8-1.25 X 16 ZP
11	730433	1	MOUNT, GAS STRUT ZP
12	730450	1	TOP COVER
13	730452	1	STRIKER, TOP COVER ZP
14	730454	2	WELDMENT, HINGE, MALE ZP
15	730456	2	WELDMENT, HINGE, FEM ZP
16	730457L	1	GAS STRUT, 26.498 EXT X 13.8 STK W/LOCK
17	730459	1	ANGLE, GAS STRUT MNT ZP
18	730461	1	BAR, SPACER ZP
19	731132	1	RETAINER, COVER
20	731433	1	LATCH-LARGE-NAUTILUS
	731370		LATCH-LARGE-NAUTILUS (CE & UK MODELS)
21	REFERENCE	1	COVER FRAME

SIDE DOOR GROUP (731914)

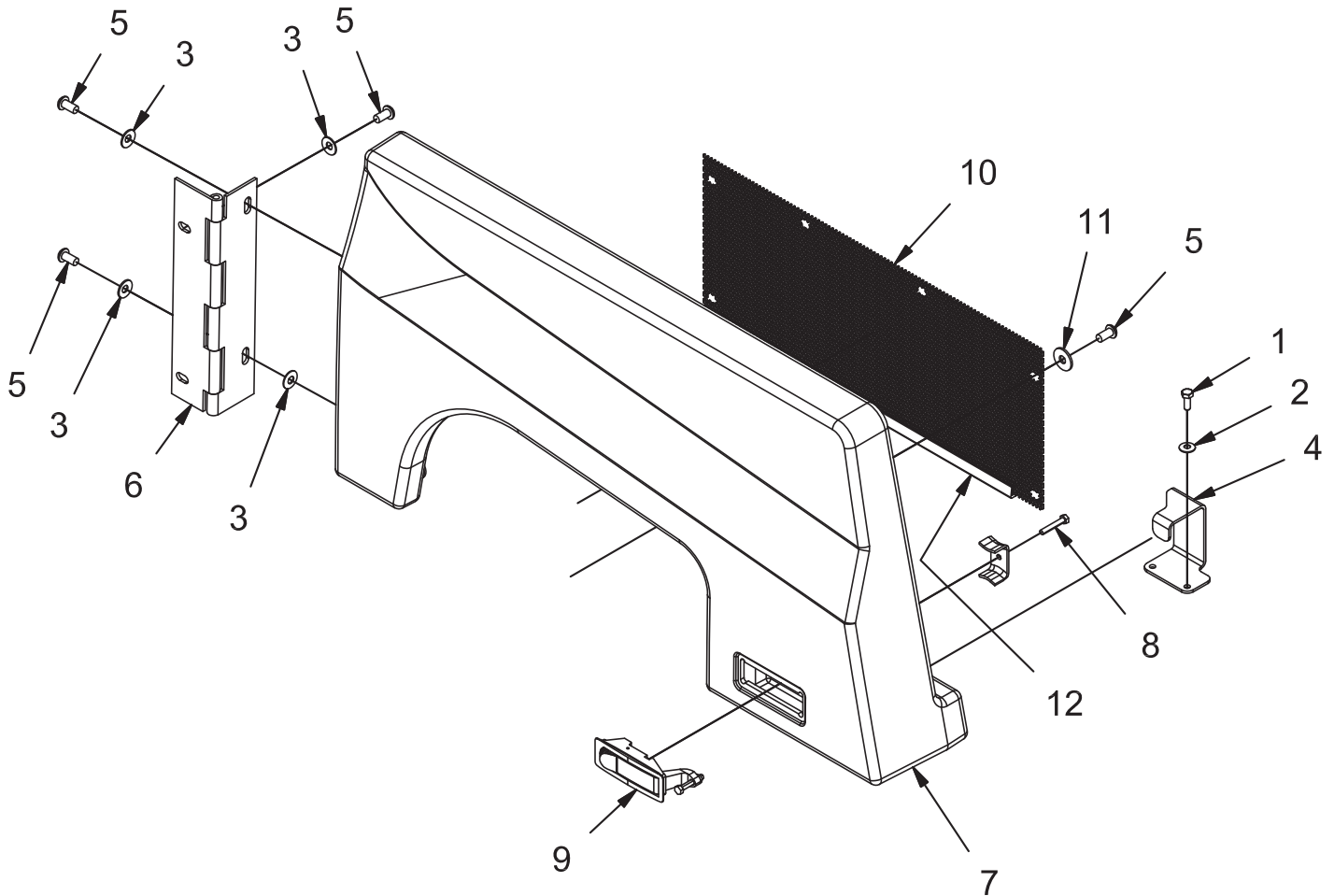


REV B

SIDE DOOR GROUP (731914)

Parts List - 731914			
ITEM	PART NO.	QTY	DESCRIPTION
1	11038072	8	SCR-HH M6-1.0 X 16 ZP CLASS 8.8
2	11038098	2	SCR-HH M6-1.0 X 20 ZP CLASS 8.8 DIN
3	12040044	2	NUT-NYLOC M6 X 1.0 ZP CLASS 6
4	12310033	2	WASHER-FLAT M6.4 X 12 X 1.6 ZP
5	3400383	8	WASHER-CONICAL SPRING 1/4
6	3400384	8	WASHER-CONICAL SPRING 5/16
7	3500118	28 IN	EDGING-VINYL TRIM 1/8" X 250'
8	600924	2	SCR-HH M10-1.5 X 35 ZP CLASS 8.8
9	717014	4	NUT-HEX M10 X 1.5 ZP
10	717024	8	SCR-HH M8-1.25 X 20 ZP GRADE 8.8
11	730403	1	STRIKER, DOOR ZP
12	730405	2	WELDMENT, HINGE, MALE ZP
13	730407	2	WELDMENT, HINGE, FEMALE ZP
14	731433	1	LATCH-LARGE-NAUTILUS
15	731904	1	DOOR, LEFT SIDE
16	731915	1	SHIELD, HEAT ZP
17	731916	1	GRILL, LH SIDE
18	REFERENCE	1	COVER FRAME

SEAT DOOR GROUP (731913)

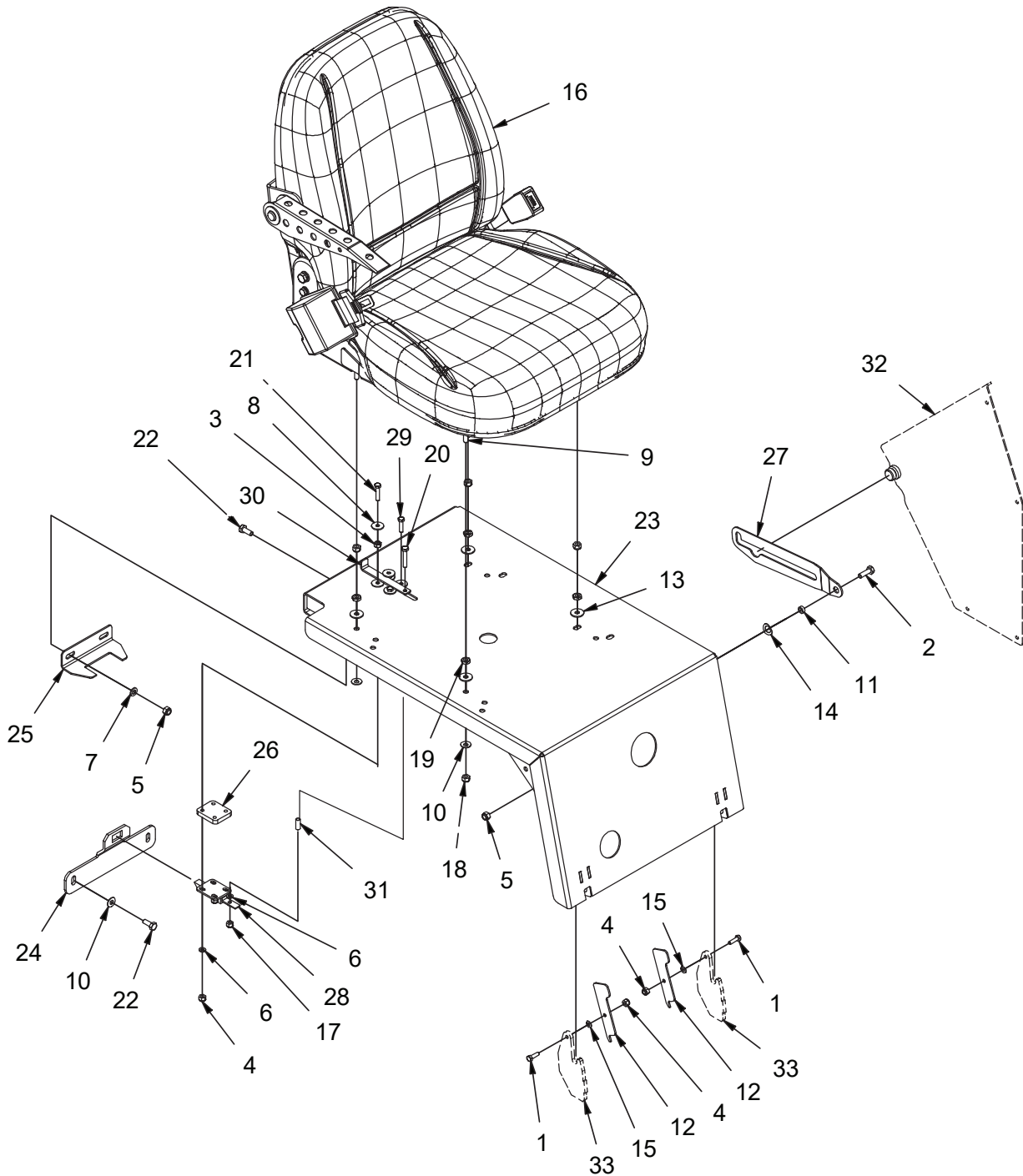


REV A

SEAT DOOR GROUP (731913)

Parts List - 731913			
ITEM	PART NO.	QTY	DESCRIPTION
1	11038072	2	SCR-HH M6-1.0 X 16 ZP CLASS 8.8
2	3400383	2	WASHER-CONICAL SPRING 1/4
3	3400384	5	WASHER-CONICAL SPRING 5/16
4	730398	1	STRIKER, SEAT DOOR ZP
5	730399	4	SCR-BHSCS M8-1.25 X 16 ZP
6	730400	1	HINGE, CONTINUOUS, 4 IN
7	731905	1	DOOR, SEAT
8	3400044	1	SCR-HH 10-32 X .75 ZP SERR FLANGE
9	731433	1	LATCH-LARGE-NAUTILUS
10	731917	1	GRILL, RH SIDE
11	600940	6	WASHER-FENDER M8 X 24 ZP
12	3500118	16 IN	EDGING-VINYL TRIM 1/8" X 250'

SEAT MOUNT GROUP (730147)

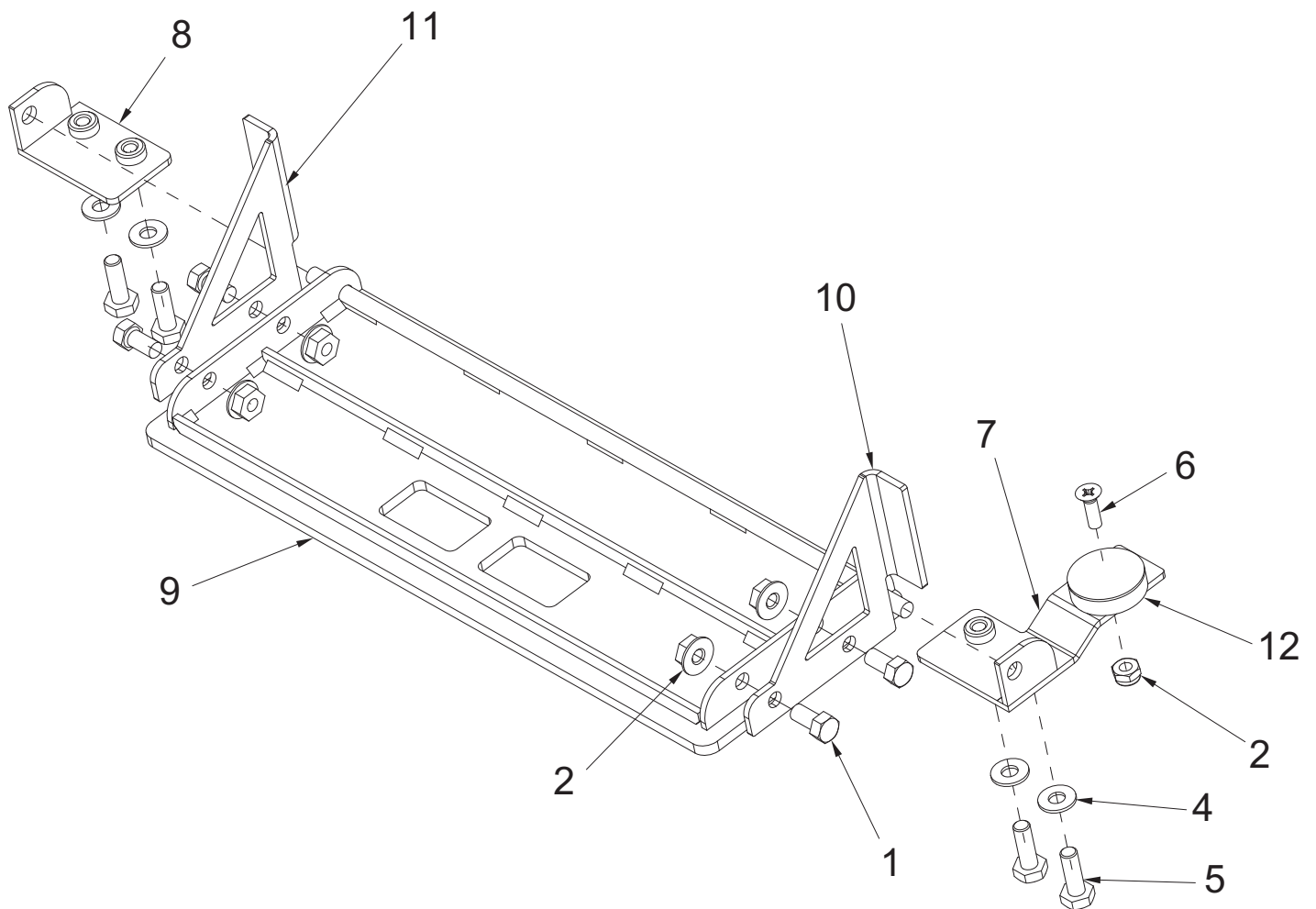


REV G

SEAT MOUNT GROUP (730147)

Parts List - 730147			
ITEM	PART NO.	QTY	DESCRIPTION
1	11038098	2	SCR-HH M6-1.0 X 20 ZP CLASS 8.8 DIN
2	11038247	1	SCR-HH M8-1.25 X 25 ZP CLASS 8.8
3	12022042	2	NUT-HEX M6 X 1.0 STL ZD CL8 DIN 934
4	12040044	6	NUT-NYLOC M6 X 1.0 ZP CLASS 6
5	12040051	3	NUT-NYLOC M8 X 1.25 ZP CLASS 8
6	12310033	5	WASHER-FLAT M6.4 X 12 X 1.6 ZP
7	12310041	2	WASHER-FLAT M8.4 X 16 X 1.6 ZP
8	173080	6	WASHER-FLAT .266 X .875 X .07 SS
9	3400035	4	SCR-HH 5/16-18 X 1.00 ZP GR 5
10	3400384	6	WASHER-CONICAL SPRING 5/16
11	600138	1	SPACER, .328 B .500 OD .188T, SS
12	600194	2	LATCH COVER, ZP CLEAR
13	600940	4	WASHER-FENDER M8 X 24 ZP
14	600948	1	WASHER-WAVE .500 ID X 1.00 OD X .040 THI
15	600963	2	WASHER-WAVE M6 DIN 137
16	623000	1	SEAT, STANDARD W/SEAT BELT, RH
17	711373	1	NUT-NYLOC 1/4-20 ZP
18	711374	4	NUT-NYLOC 5/16-18 ZP
19	711420	4	NUT-JAM 5/16-18 ZP
20	713005	1	SCR-HH 1/4-20 X 1.50 ZP GR 5 PART THRD
21	717021	2	SCR-HH M6-1.0 X 30 ZP CLASS 8.8
22	717024	4	SCR-HH M8-1.25 X 20 ZP GRADE 8.8
23	730320	1	WELDMENT, SEAT MOUNT
24	730482	1	BRACKET, SEAT STRIKER ZP
25	730484	1	PLATE, SEAT LOCK
26	730486	1	PLATE, SPACER ZP
27	730487	1	SUPPORT, SEAT MOUNT ZP CLR
28	730488	1	SLIDE LATCH
29	731006	2	SCR-HH M6-1.00 X 25 ZP CLASS 8.8
30	731262	1	RELEASE, LATCH
31	731263	1	SPACER, .257 B .313 OD .813 T
32	REFERENCE	1	COVER PLATE
33	REFERENCE	1	CONSOLE

REAR STEP GROUP, HD (770139)

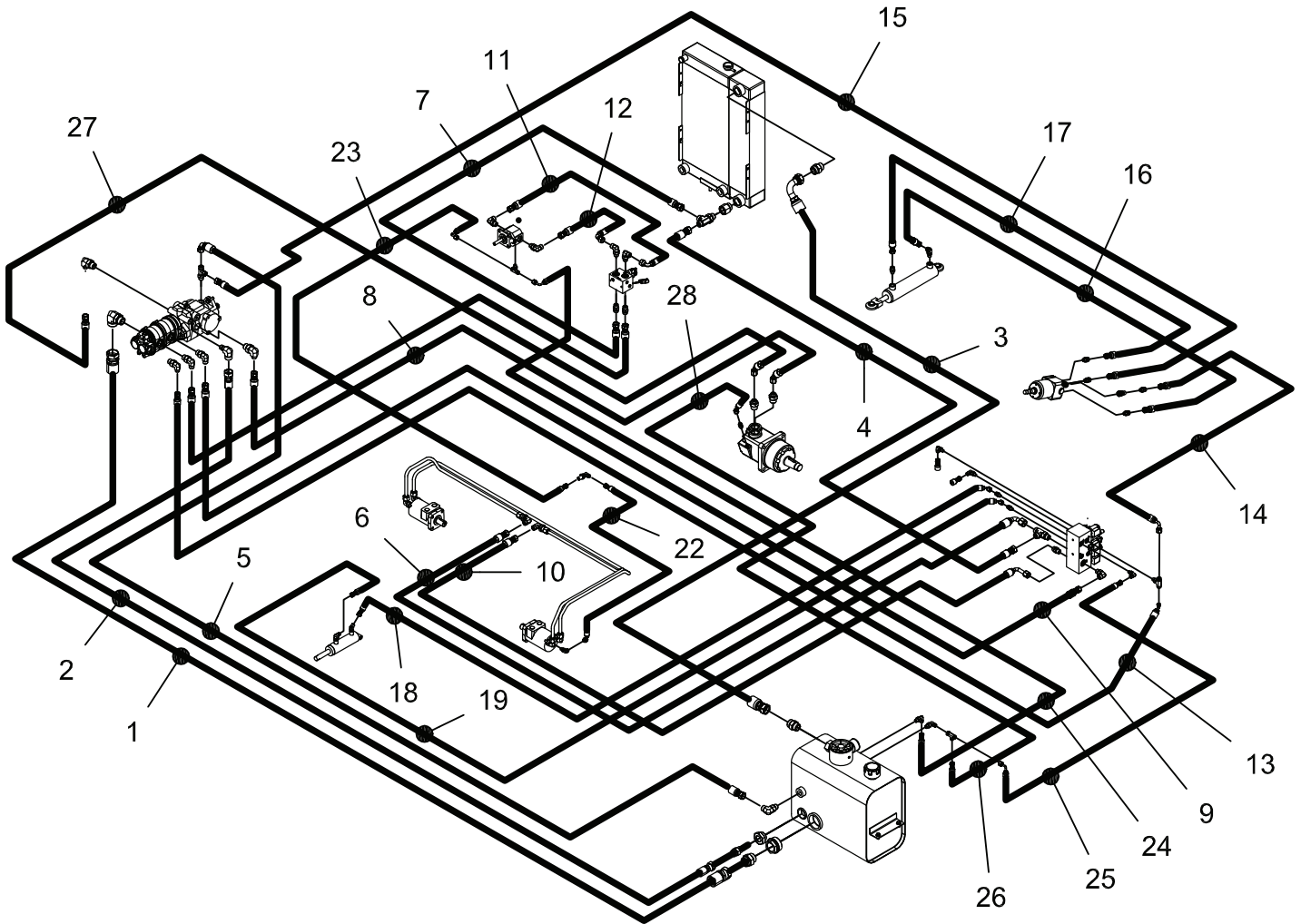


REV A

REAR STEP GROUP, HD (770139)

Parts List - 770139			
ITEM	PART NO.	QTY	DESCRIPTION
1	711202	4	SCR-HH 1/4-20 X .50 ZP
2	711350	5	NUT-NYLOC 10-32 ZP
4	711504	4	WASHER-FLAT 1/4 SS
5	712562	4	SCR-HH 1/4-20 X .75, 18-8 SS
6	712826	1	SCR-FHMS 10-32 X .625 ZP
7	770125	1	MTG, REAR STEP, RIGHT, NAUTILUS HD
8	770129	1	MTG, REAR STEP, LEFT, NAUTILUS HD
9	770130	1	WELDMENT, REAR STEP, NAUTILUS HD
10	770135	1	BRACKET, RIGHT, REAR STEP, NAUTILUS HD
11	770136	1	BRACKET, LEFT, REAR STEP, NAUTILUS HD
12	770137	1	MAGNET, 1.26" OD X .315 THK, 75LB

HYDRAULIC HOSE GROUP (730148)

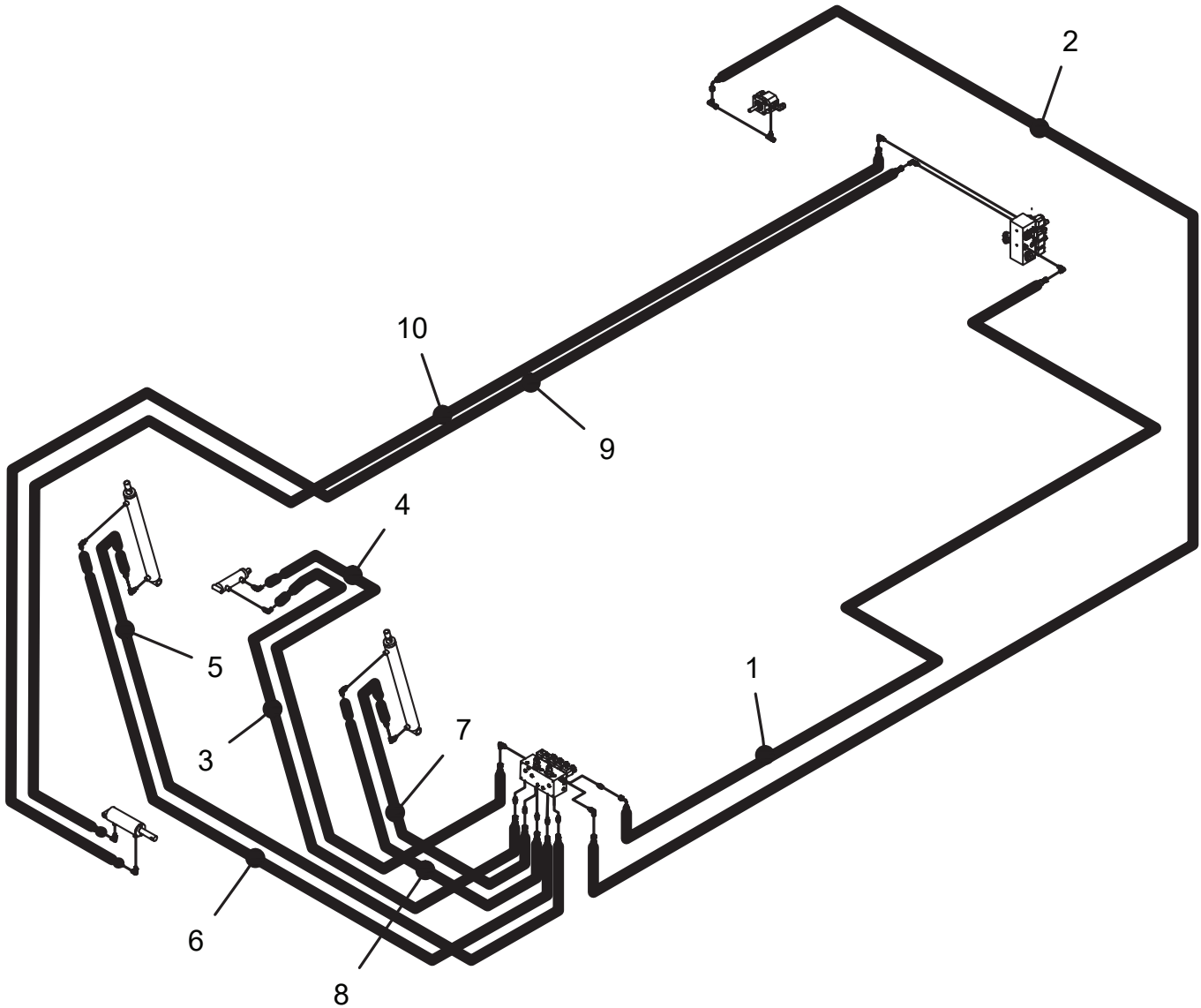


REV C

HYDRAULIC HOSE GROUP (730148)

Parts List - 730148			
ITEM	PART NO.	QTY	DESCRIPTION
1	731051	1	HOSE, 20 STR - 20 STR sue (RES TO AUX PUMP IN)
2	731052	1	HOSE, 12 STR - 12 STR sue (RES TO VDP CASE)
3	731053	1	HOSE, 16 STR - 16 90 RET (COOLER UPPER TO RES)
4	731054	1	HOSE, 10 STR - 10 STR RET (VALVE T2 TO COOLER)
5	731055	1	HOSE, 10 STR - 8 90 RET (VDP CASE TO RES)
6	731056	1	HOSE, 8 STR - 10 90 MED (MB LEFT TO VALVE T2)
7	731057	1	HOSE, 8 STR - 10 STR MED (IMP SOL T TO COOLER)
8	731058	1	HOSE, 8 STR - 8 STR MED (AUX PUMP 2 TO IMP SOL P)
9	731059	1	HOSE, 8 STR - 8 STR MED (AUX PUMP 1 TO VALVE P2)
10	731060	1	HOSE, 8 STR - 8 90 MED (VALVE MB OUT TO MB RIGHT)
11	731061	1	HOSE, 8 STR - 8 90 MED (IMP SOL VF OUT TO IMP LEFT)
12	731062	1	HOSE, 8 STR - 8 90 MED (IMP RIGHT TO IMP SOL VF IN)
13	731063	1	HOSE, 6 STR - 6 45 MED (AUX PUMP 3 TO VALVE P1)
14	731064	1	HOSE, 6 STR - 6 90 MED (VALVE P1 TO STR PRESS)
15	731065	1	HOSE, 6 STR - 8 STR RET (STR TANK TO VDP CASE)
16	731066	1	HOSE, 6 STR - 6 STR MED (STR LEFT TO CYL F)
17	731067	1	HOSE, 6 STR - 6 STR MED (STR RIGHT TO CYL R)
18	731068	1	HOSE, 4 STR - 4 45 MED (VALVE BL A TO SH CYL F)
19	731069	1	HOSE, 4 STR - 4 45 MED (VALVE BL B TO SH CYL R)
22	731072	1	HOSE, 4 STR - 4 45 MED (MB CASE TO MB MOTOR)
23	731073	1	HOSE, 4 STR - 4 90 MED (MB CASE TO IMP CASE)
24	731074	1	HOSE, 4 STR - 4 90 MED (IMP CASE TO RES)
25	731075	1	HOSE, 4 STR - 4 90 MED (VALVE T1 TO RES)
26	731076	1	HOSE, 4 STR - 4 45 MED (WHEEL DRIVE CASE TO RES)
27	731077	1	HOSE, 8 STR - 8 45 SPCL (VDP L TO WHEEL DRIVE R)
28	731078	1	HOSE, 8 STR - 8 45 SPCL (VDP R TO WHEEL DRIVE F)

HYDRAULIC HI-DUMP HOSE GROUP (770118)

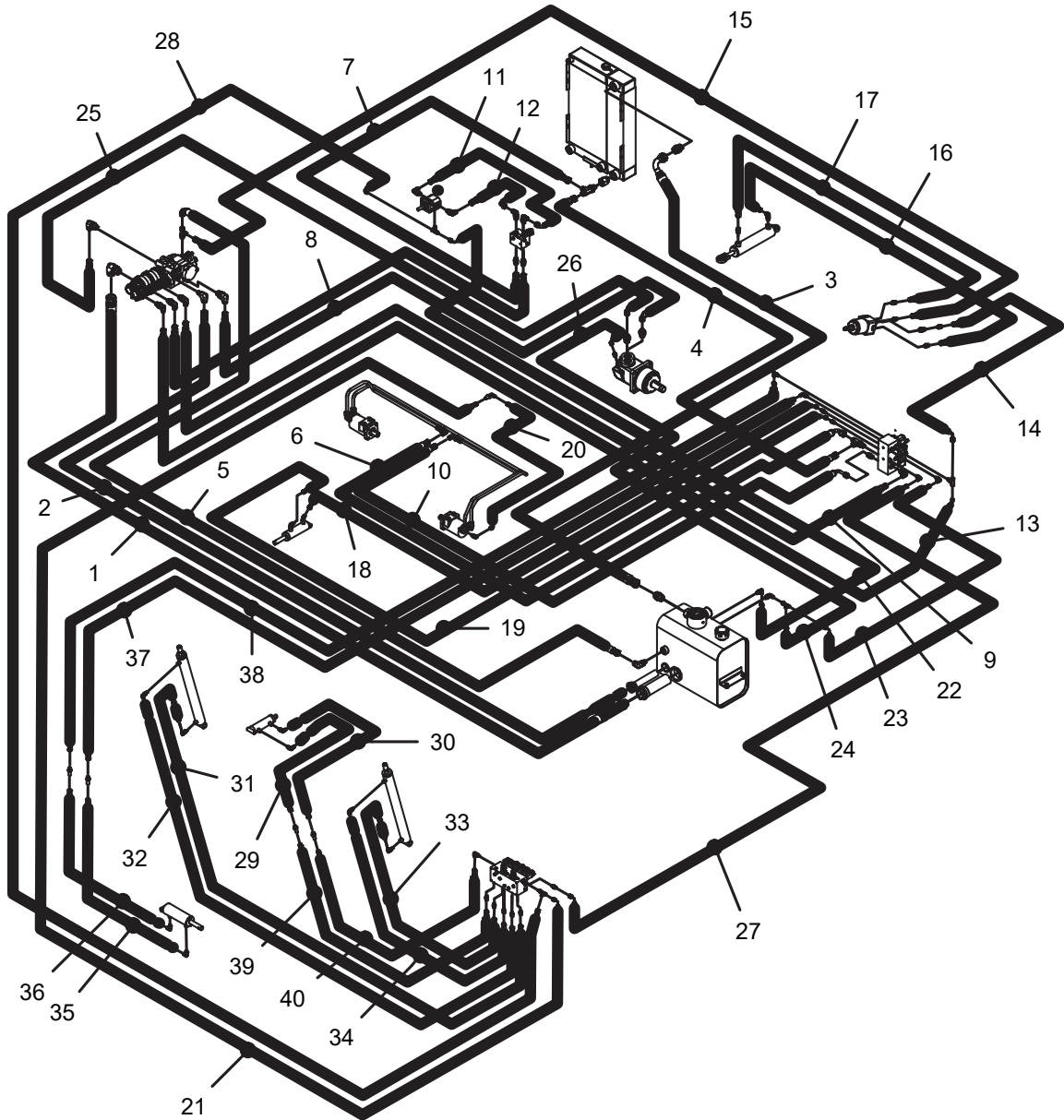


REV B

HYDRAULIC HI-DUMP HOSE GROUP (770118)

Parts List - 770118			
ITEM	PART NO.	QTY	DESCRIPTION
1	770568	1	HOSE,4STR-490MED(VAIVEPBTOHDVAIVEP)
2	770569	1	HOSE,4STR-490MED(HDVAIVETTOIMPCASECEN)
3	770570	1	HOSE,4STR-4STRMED(HDVAIVEHDBTODODORCYLR)
4	770571	1	HOSE,4STR-4STRMED(HDVAIVEHDTODODORCYLF)
5	770572	1	HOSE,4STR-4STRMED(HDVALVESALATOS-LIFTCYLL)
6	770573	1	HOSE,4STR-4STRMED(HDVALVESALBTOS-LIFTCYLU)
7	770574	1	HOSE,4STR-4STRMED(HDVAIVEHLBTOH-LIFTCYLU)
8	770575	1	HOSE,4STR-4STRMED(HDVAIVEHLATOH-LIFTCYLL)
9	770576	1	HOSE,4STR-4STRMED(VAIVESGATOSQUCYLR)
10	770577	1	HOSE,4STR-4STRMED(VAIVESGBTOSQUCYLL)

HYDRAULIC HI-DUMP HOSE ROUTING (770119)

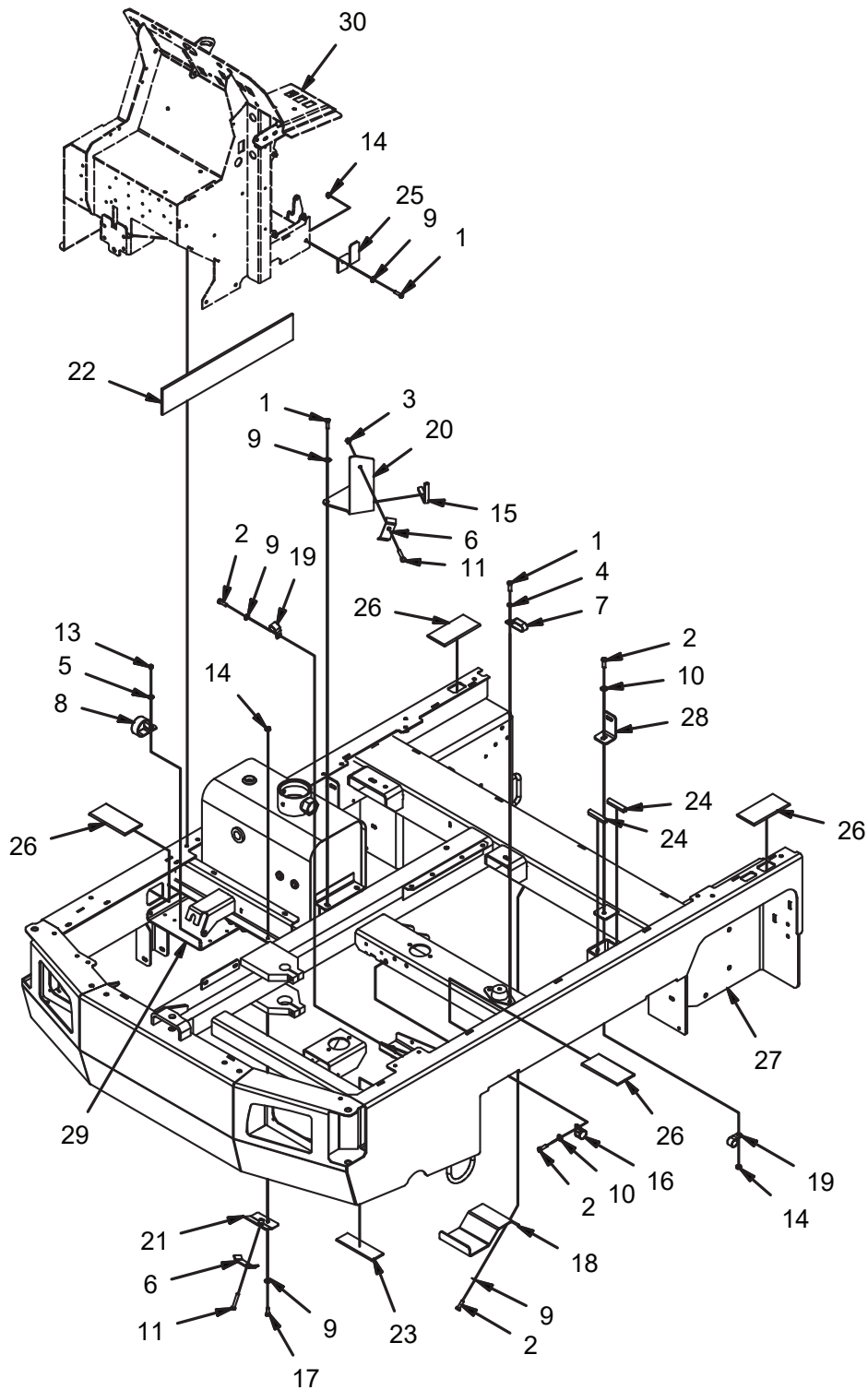


REV B

HYDRAULIC HI-DUMP HOSE ROUTING (770119)

Parts List - 770119			
ITEM	PART NO.	QTY	DESCRIPTION
1	731051	1	HOSE, 20 STR - 20 STR SUC (RES TO AUX PUMP IN)
2	731052	1	HOSE, 12 STR - 12 STR SUC (RES TO VDP CASE)
3	731053	1	HOSE, 16 STR - 16 90 RET (COOLER UPPER TO RES)
4	731054	1	HOSE, 10 STR - 10 STR RET (VALVE T2 TO COOLER)
5	731055	1	HOSE, 10 STR - 8 90 RET (VDP CASE TO RES)
6	731056	1	HOSE, 8 STR - 10 90 MED (MB LEFT TO VALVE T2)
7	731057	1	HOSE, 8 STR - 10 STR MED (IMP SOL T TO COOLER)
8	731058	1	HOSE, 8 STR - 8 STR MED (AUX PUMP 2 TO IMP SOL P)
9	731059	1	HOSE, 8 STR - 8 STR MED (AUX PUMP 1 TO VALVE P2)
10	731060	1	HOSE, 8 STR - 8 90 MED (VALVE MB OUT TO MB RIGHT)
11	731061	1	HOSE, 8 STR - 8 90 MED (IMP SOL VF OUT TO IMP LEFT)
12	731062	1	HOSE, 8 STR - 8 90 MED (IMP RIGHT TO IMP SOL VF IN)
13	731063	1	HOSE, 6 STR - 6 45 MED (AUX PUMP 3 TO VALVE P1)
14	731064	1	HOSE, 6 STR - 6 90 MED (VALVE P1 TO STR PRESS)
15	731065	1	HOSE, 6 STR - 8 STR RET (STR TANK TO VDP CASE)
16	731066	1	HOSE, 6 STR - 6 STR MED (STR LEFT TO CYL F)
17	731067	1	HOSE, 6 STR - 6 STR MED (STR RIGHT TO CYL R)
18	731068	1	HOSE, 4 STR - 4 45 MED (VALVE BL A TO SH CYL F)
19	731069	1	HOSE, 4 STR - 4 45 MED (VALVE BL B TO SH CYL R)
20	731072	1	HOSE, 4 STR - 4 45 MED (MB CASE TO MB MOTOR)
21	731073	1	HOSE, 4 STR - 4 90 MED (MB CASE TO HD VALVE T)
22	731074	1	HOSE, 4 STR - 4 90 MED (IMP CASE TO RES)
23	731075	1	HOSE, 4 STR - 4 90 MED (VALVE T1 TO RES)
24	731076	1	HOSE, 4 STR - 4 45 MED (WHEEL DRIVE CASE TO RES)
25	731077	1	HOSE, 8 STR - 8 45 SPCL (VDP L TO WHEEL DRIVE R)
26	731078	1	HOSE, 8 STR - 8 45 SPCL (VDP R TO WHEEL DRIVE F)
27	770568	1	HOSE, 4 STR - 4 90 MED (VALVE PB TO HD VALVE P)
28	770569	1	HOSE, 4 STR - 4 90 MED (IMP CASE L TO HD VALVE T)
29	770570	1	HOSE, 4 STR - 4 STR MED (HD VALVE HD B TO DOOR CYL R)
30	770571	1	HOSE, 4 STR - 4 STR MED (HD VALVE HD A TO DOOR CYL F)
31	770572	1	HOSE, 4 STR - 4 STR MED (HD VALVE SAL A TO S-LIFT CYL L)
32	770573	1	HOSE, 4 STR - 4 STR MED (HD VALVE SAL B TO S-LIFT CYL U)
33	770574	1	HOSE, 4 STR - 4 STR MED (HD VALVE HL B TO H-LIFT CYL U)
34	770575	1	HOSE, 4 STR - 4 STR MED (HD VALVE HL A TO H-LIFT CYL L)
35	770576	1	HOSE, 4 STR - 4 STR MED (SQU CYL R TO L PILLAR RH BULKHD)
36	770577	1	HOSE, 4 STR - 4 STR MED (SQU CYL L TO L PILLAR LH BULKHD)
37	770584	1	HOSE, 4 STR - 4 STR (L PILLAR RH BULKHD TO VALVE SG A)
38	770585	1	HOSE, -4STR - 4 STR (L PILLAR LH BULKHD TO VALVE SG B)
39	770586	1	HOSE, 4 STR - 4 STR (R PILLAR LH BULKHD TO VALVE HD B)
40	770587	1	HOSE, 4 STR - 4 STR (R PILLAR RH BULKHD TO VALVE HD A)

HOSE CLAMP GROUP ONE (770120)

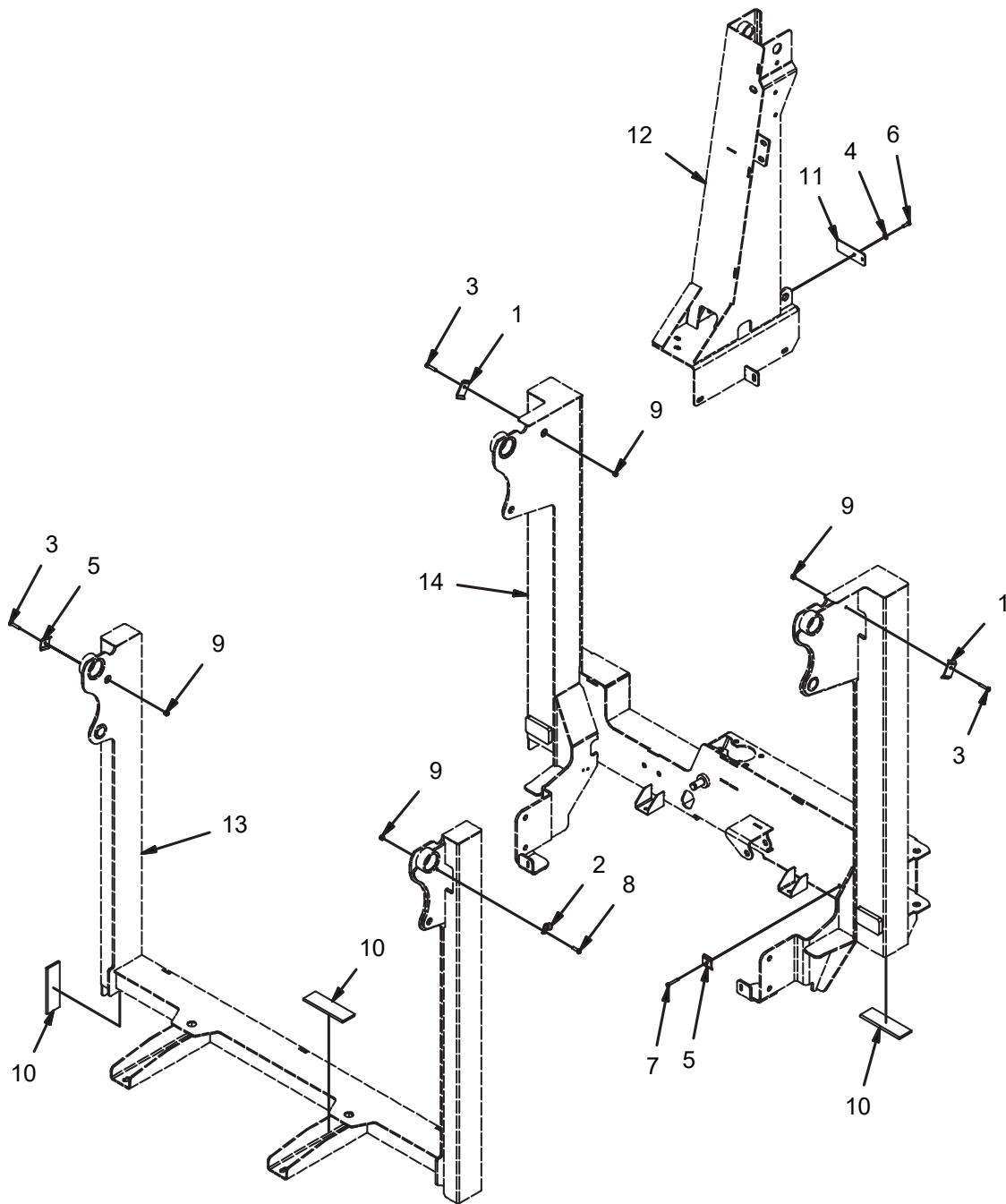


REV C

HOSE CLAMP GROUP ONE (770120)

Parts List - 770120			
ITEM	PART NO.	QTY	DESCRIPTION
1	11038247	4	BLT-HH M8-1.25 X 25 STL ZINC
2	11039567	5	BOLT, M8-1.25 X 25 HH SS
3	12040259	1	NUT, M8-1.25 ESN SS
4	12310041	1	WASHER, M8
5	12332011	1	WASHER, FENDER, M6
6	3305398	2	RETAINER, HOSE, OFFSET, 8
7	3335599	1	CLAMP, HOSE
8	3343539	1	CLAMP, 2"
9	3400384	7	WASHER, 5/16 BELLEVILLE
10	3400385	2	WASHER, 3/8, BELLEVILLE
11	600820	2	BOLT, M8-1.25 X 45 HH
12	600913	1	BOLT, M6-1.00 X 20 HH SS
13	600933	1	NUT, M6-1.00 ESN SS
14	600934	5	NUT, M8-1.25 FLNG
15	620039	1	EDGING, 3/16 X 5.75"
16	690011	1	CLAMP, P TYPE, 1.00 DIA
17	717030	1	BOLT, M8-1.25 X 20 HH SS
18	731145	1	BRACKET, HOSE TRAY
19	731146	2	CLAMP, HOSE, .88
20	731147	1	TRAY, REAR HOSE
21	731148-1	1	ASSEMBLY, HOSE CLAMP BRACKET
22	731150	1	SLEEVE, AS-B-37 X 30.0"
23	731151	1	SLEEVE, AS-B-17 X 6.0"
24	731152	2	EDGING, .31 X 2.75"
25	731153	1	BRACKET, CENTER HOSE
26	770596	4	SLEEVE, AS-B-33 X 6.0"
27	REFERENCE	1	FRAME
28	REFERENCE	1	BRACKET, TANK MOUNT
29	REFERENCE	1	BRACKET, FILTER MOUNT
30	REFERENCE	1	CONSOLE

HOSE CLAMP GROUP TWO (770120)

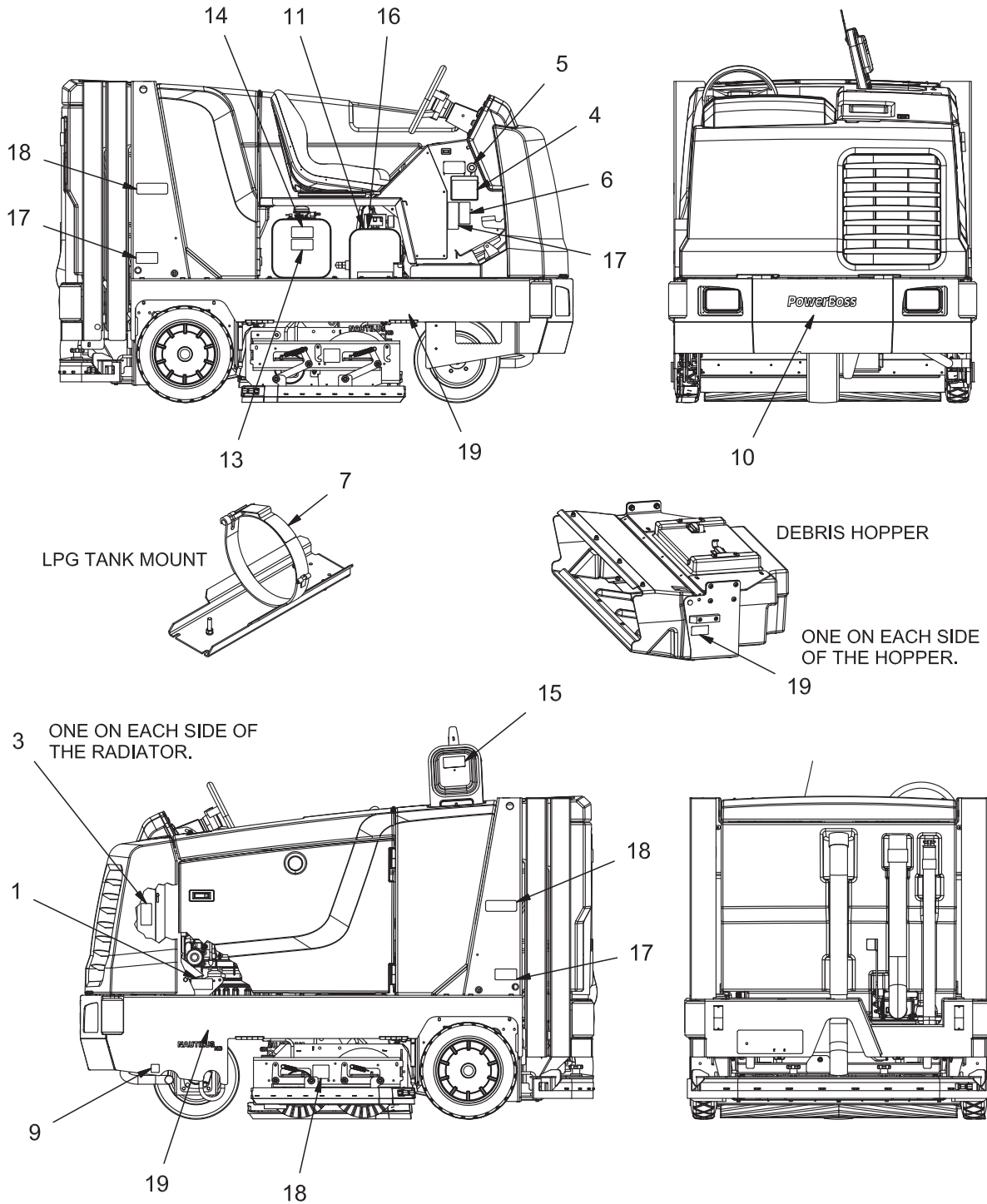


REV A

HOSE CLAMP GROUP TWO (770120)

Parts List - 770120			
ITEM	PART NO.	QTY	DESCRIPTION
1	3302340	2	RETAINER, HOSE, OFFSET 4
2	3343082	1	CLAMP, HOSE, .56
3	3400227	3	SCREW, 1/4-20 X 1.25 HH ZP
4	3400383	2	WASHER, 1/4 BELLEVILLE
5	600822	2	RETAINER, HOSE, SYM, 6
6	600913	2	BOLT, M6-1.00 X 20 HH SS
7	600952	1	BOLT, M6-1.00 X 35 HH
8	711206	1	BLT - HH 1/4-20 X .87 STL ZINC
9	711373	4	NUT, FIBER INSERT 1/4-20
10	731151	3	SLEEVE, AS-B-17 X 6.0"
11	770598	1	RETAINER, WIRE
12	REFERENCE	1	RH PILLAR
13	REFERENCE	1	HOPPER LIFT ARM
14	REFERENCE	1	SQUEEGEE LIFT ARM

DECAL GROUP (770121)



REV A

DECAL GROUP (770121)

Parts List - 770121			
ITEM	PART NO.	QTY	DESCRIPTION
1	3301730	1	DECAL, WARNING FAN BELT (ENG)
2	3301733	2	DECAL, WARNING FAN (RAD SHROUD)
3	3301854	1	DECAL, CAUTION
4	3334827	1	DECAL, MADE IN USA
5	651001	1	DECAL, POWERBOSS
6	3342264	1	DECAL, READ MANUAL
7	3342971	1	DECAL, LPG FUEL TANK (LPG ONLY)
8	3342978	1	DECAL, HOT SURFACE
9	715023	1	DECAL, HYDRAULIC FLUID INFORMATION
10	715949	1	DECAL, GAS FUEL WARNING
11	715953	1	DECAL, DIESEL FUEL WARNING
12	715043	2	DECAL, NAUTILUS
13	715965	1	DECAL, FLAMMABLE MATERIAL WARNING
14	715966	1	DECAL, WARNING, NO FUEL IN RES.
15	715967	1	DECAL, WARNING, DO NOT PICK UP
16	715968	2	DECAL, WARNING, ROTATING BRUSHES
17	3301732	2	DECAL, STAY CLEAR OF HOPPER
18	715497	2	DECAL, RAISED HOPPER
19	3342650	2	DECAL, DUMP DOOR

ELECTRICAL GROUP (730116-HD)

NOTE:

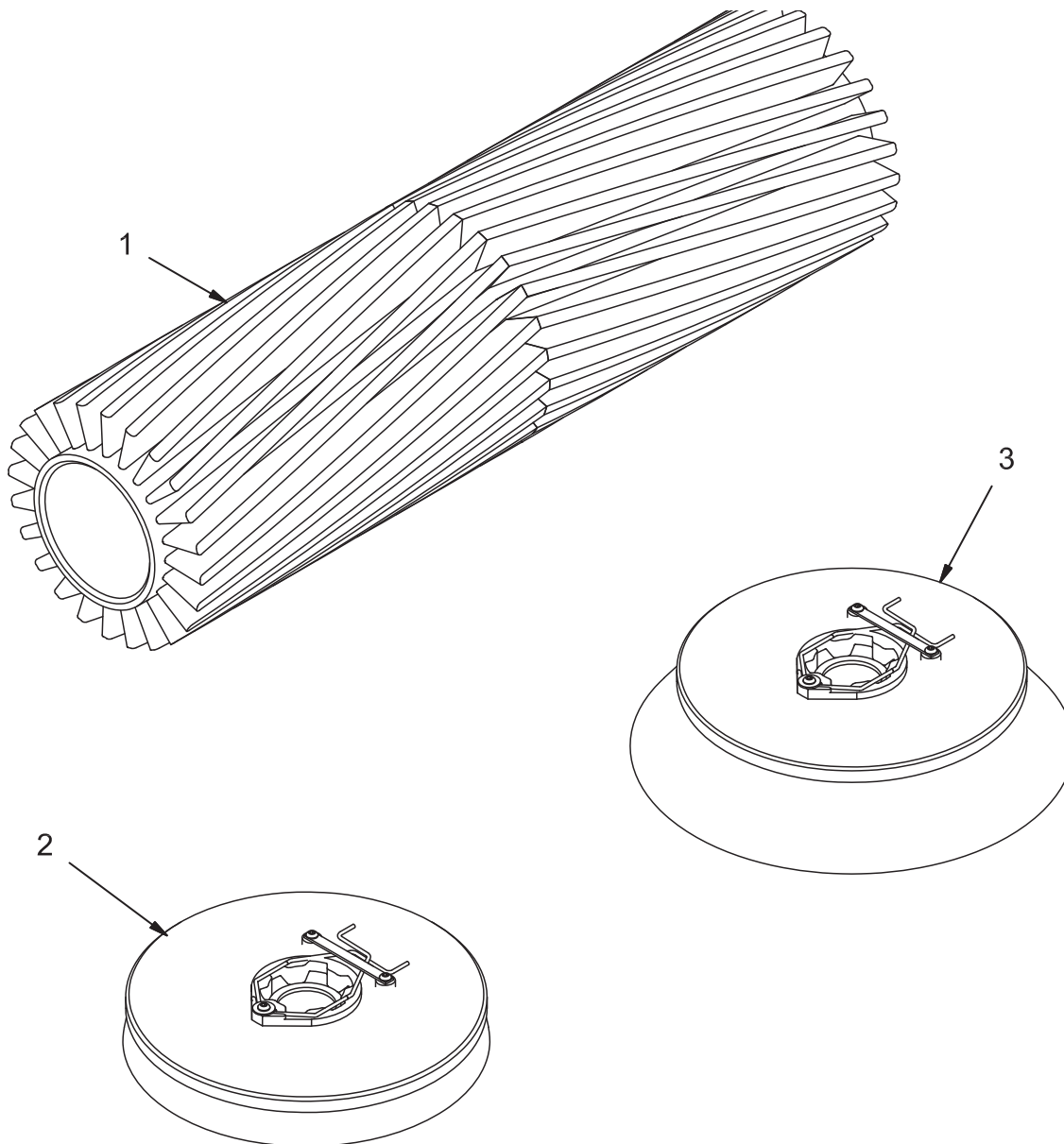
THERE IS NO PICTURE AVAILABLE FOR THIS GROUP

REV A

ELECTRICAL GROUP (730116-HD)

Parts List - 730116-HD			
ITEM	PART NO.	QTY	DESCRIPTION
1	748990	1	ENGINE HARNESS
2	749036	1	LIGHTS HARNESS
3	748799	1	HARNESS, MAIN, NAUTILUS
4	731146	2	CLAMP, HOSE, .88

BRUSH/BROOM GROUP (730175)



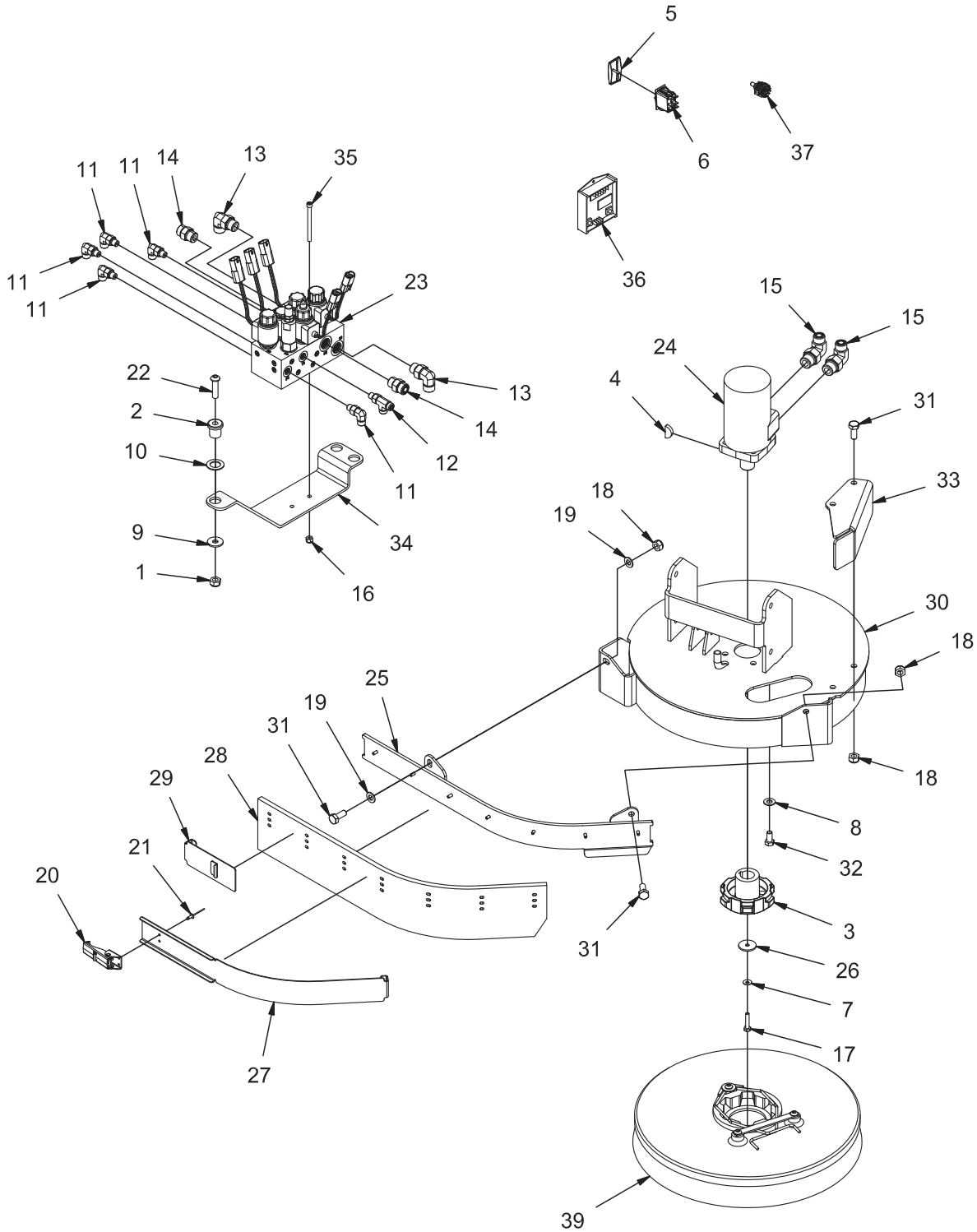
REV E

BRUSH/BROOM GROUP (730175)

Parts List - 730175			
ITEM	PART NO.	QTY	DESCRIPTION
1	731090-PH	2	BROOM, 45" NYLON, PH
1	731295-PH	2	BROOM, 45" BLACK POLY, PH
1	731296-PH	2	BROOM, 45" 50/80 GRIT BLACK, PH
1	731297-PH	2	BROOM, 45" 70/46 GRIT ABRASIVE, PH
1	731308-PH	2	BROOM, 45" BLACK POLY, SOFT, PH
1	731588-PH	2	BROOM, 45" 180 GRIT ABRASIVE, PH
2	3313128	1	BRUSH, DISC, 16", PURPLE
2	3313126	1	BRUSH, DISC, 16", BLACK
2	3332545	1	BRUSH, DISC, 16", BLUE
2	3315385	1	BRUSH, DISC, 16", RED
2	3313136	1	BRUSH, DISC, 16", NYLON
3	731259	1	SIDE BROOM, 20", POLY

OPTIONS - PARTS BREAKDOWN

OPTION - SIDE BRUSH GROUP (730000)



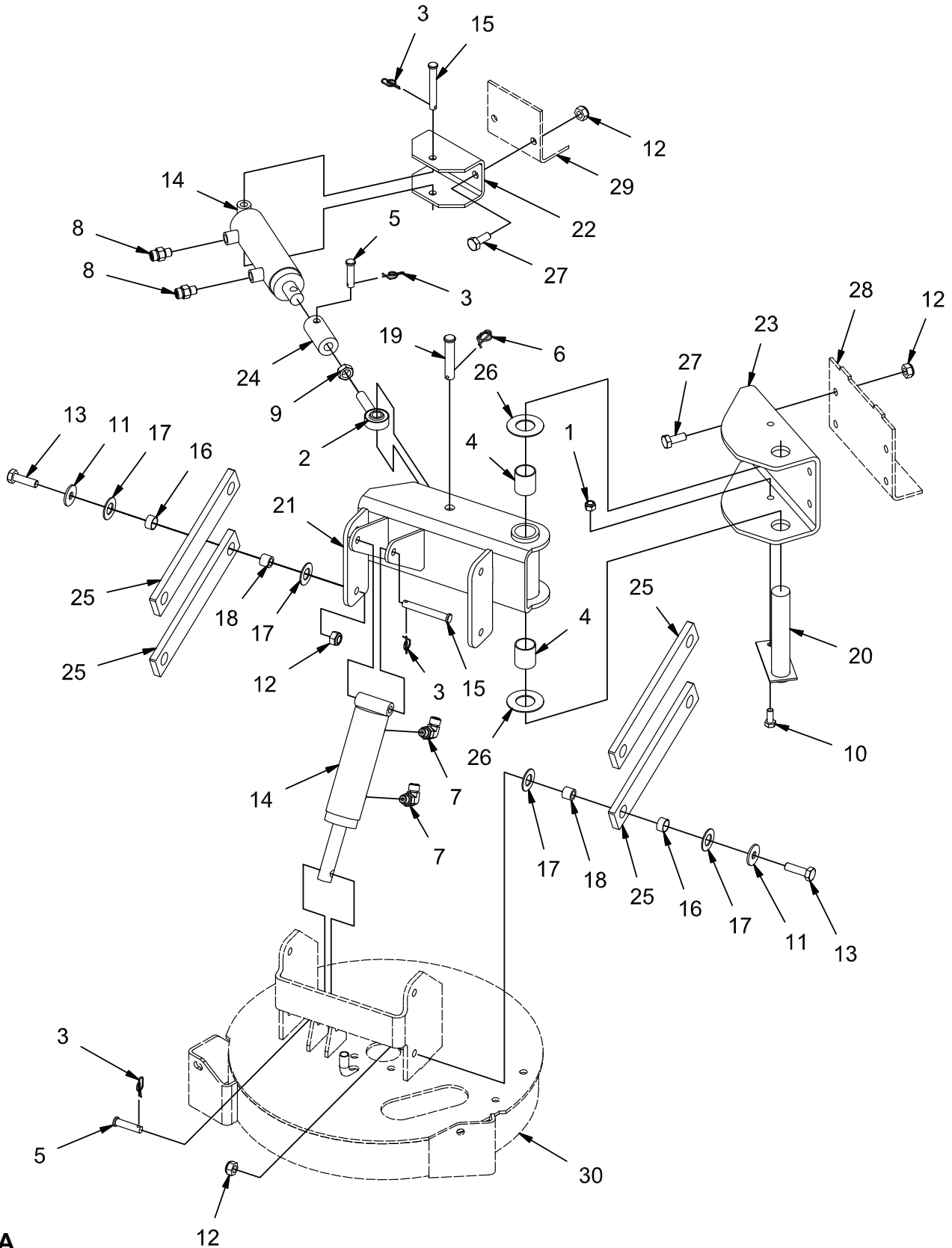
REV D

OPTION - SIDE BRUSH GROUP (730000)

Parts List - 730000			
ITEM	PART NO.	QTY	DESCRIPTION
1	12040069	3	NUT, M10-1.50 ESN
2	3300465	3	ISOLATOR, VIB
3	3324451	1	HUB, DRIVE
4	3330338	1	KEY, WOODRUFF .25 X .50
5	3344038	1	COVER-SWITCH ROCKER BLACK NO LENS
6	3342705	1	SWITCH, DPST
7	3400383	1	WASHER, 1/4 BELLEVILLE
8	3400385	4	WASHER, 3/8, BELLEVILLE
9	600363	3	WASHER, ISOLATOR
10	66-431-A	3	WASHER, .77 B 1.25 OD .075 T
11	675507	5	FITTING, 90, -4 ORFS - 4 SAE
12	675509	1	FITTING, RUN TEE -4 ORFS TO -4 SAE
13	675523	2	FITTING, 90, -8 ORFS - 8 SAE
14	675524	2	FITTING, STR, -8 ORFS - 8 SAE
15	675528	2	FITTING, 90, -8 ORFS - 10 SAE
16	711373	2	NUT, FIBER INSERT 1/4-20
17	712566	1	SCREW, 1/4-20 X 1.25 HH SS
18	730339	4	NUT, M10-1.50 ESN SS
19	730344	2	WASHER, M10 SS
20	730652	1	LATCH, UNDER CENTER
21	730654	2	RIVET.BLIND, .156 D X .062 - .125 GRIP SS
22	730698	3	BOLT, M10-1.50 X 40 BUTTON HD CAP
23	730795-1	1	MANIFOLD ASSY, SSB
24	730892	1	MOTOR, 9.7 DISP
25	730927	1	WELDMENT, SSB SQU MNT
26	730933	1	WASHER, .28 B, 1.25 OD, .105 T SS
27	730938	1	SSB SOU RETAINER
28	730939	1	SSB SQUEEGEE
29	730940	1	WELDMENT, SSB REAR RET
30	730942	1	WELDMENT, SSB MOUNT
31	730958	4	BOLT, M10-1.50 X 25 HH SS
32	730959	4	SCREW, 3/8-16 X .750 HHC SS
33	730963	1	WELDMENT, SSB GUARD
34	730964	1	MOUNT, SSB MANIFOLD
35	730965	2	BOLT, 1/4-20 X 3.00 SOC HD CAP
36	731126	1	PROPORTIONAL VALVE DRIVER - DOUBLE
37	748796	1	DUAL BRUSH PRESSURE SELECTOR
38	748798	1	HARNESS, SIDE BRUSH
39	REFERENCE	1	SCRUB BRUSH, 16 D

**GROUP (730036) - OPTION SIDE SCRUB BRUSH, INCLUDES SUB-GROUPS:
730000, 730001, 730002, 730011, 730028, 730029**

OPTION - SIDE BRUSH LIFT GROUP (730001)



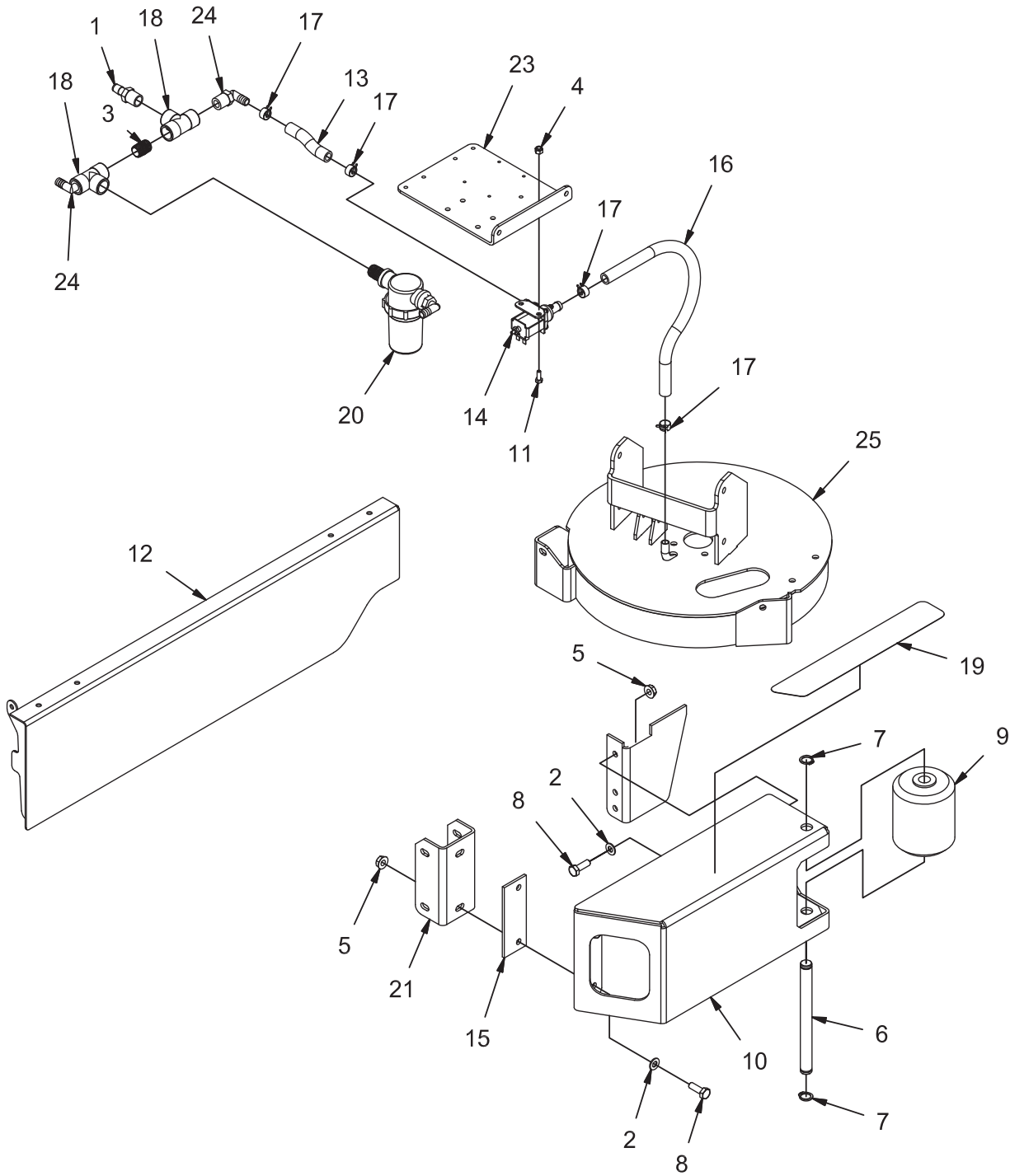
REV A

OPTION - SIDE BRUSH LIFT GROUP (730001)

Parts List - 730001			
ITEM	PART NO.	QTY	DESCRIPTION
1	12040259	1	NUT, M8-1.25 ESN SS
2	3311977	1	ROD END, MALE, 1/2-20
3	3400125	4	RUE-RING, .375
4	600174	2	BEARING, FIBERGLIDE 1.00 ID 1.25 T
5	600573	2	PIN, CLEVIS, 3/8 X 1.50
6	600578	1	RUE-RING, .50
7	675507	2	FITTING, 90, -4 ORFS - 4 SAE
8	675508	2	FITTING, STR, 4 ORFS - 4-SAE
9	711337	1	NUT, HEX JAM 1/2-20
10	717030	1	BOLT, M8-1.25 X 20 HH SS
11	717040	8	WASHER, FENDER, .413 B 1.18 OD .098 T SS
12	730339	14	NUT, M10-1.50 ESN SS
13	730345	8	BOLT, M10-1.50 X 35 HH SS
14	730548	2	CYLINDER, HYD, 1.50 B X 2.88 STK
15	730602	2	PIN, CLEVIS, .375 X 2.75
16	730646	8	BEARING, DU, .63 B .72 OD .38 T
17	730647	16	WASHER, THRUST, .66 B 1.25 OD .06 T
18	730648	8	SPACER, .406 B .624 OD .515 T SS
19	730875	1	PIN, CLEVIS 1/2 X 2.50 ZP
20	730907	1	WELDMENT, PIN
21	730910	1	WELDMENT, SSB ARM
22	730923	1	SSB CYL MNT
23	730924	1	SSB MNT
24	730925	1	SSB ADJ TUBE
25	730926-1	4	SSB LINK
26	730957	2	WASHER, THRUST, 1.03 B 2.00 OD .063 T
27	730958	6	BOLT, M10-1.50 X 25 HH SS
28	REFERENCE	1	FRAME
29	REFERENCE	1	FRAME
30	REFERENCE	1	SSB MOUNT

**GROUP (730036) - OPTION SIDE SCRUB BRUSH, INCLUDES SUB-GROUPS:
730000, 730001, 730002, 730011, 730028, 730029**

OPTION - SIDE BRUSH SOLUTION CONTROL GROUP (730002)



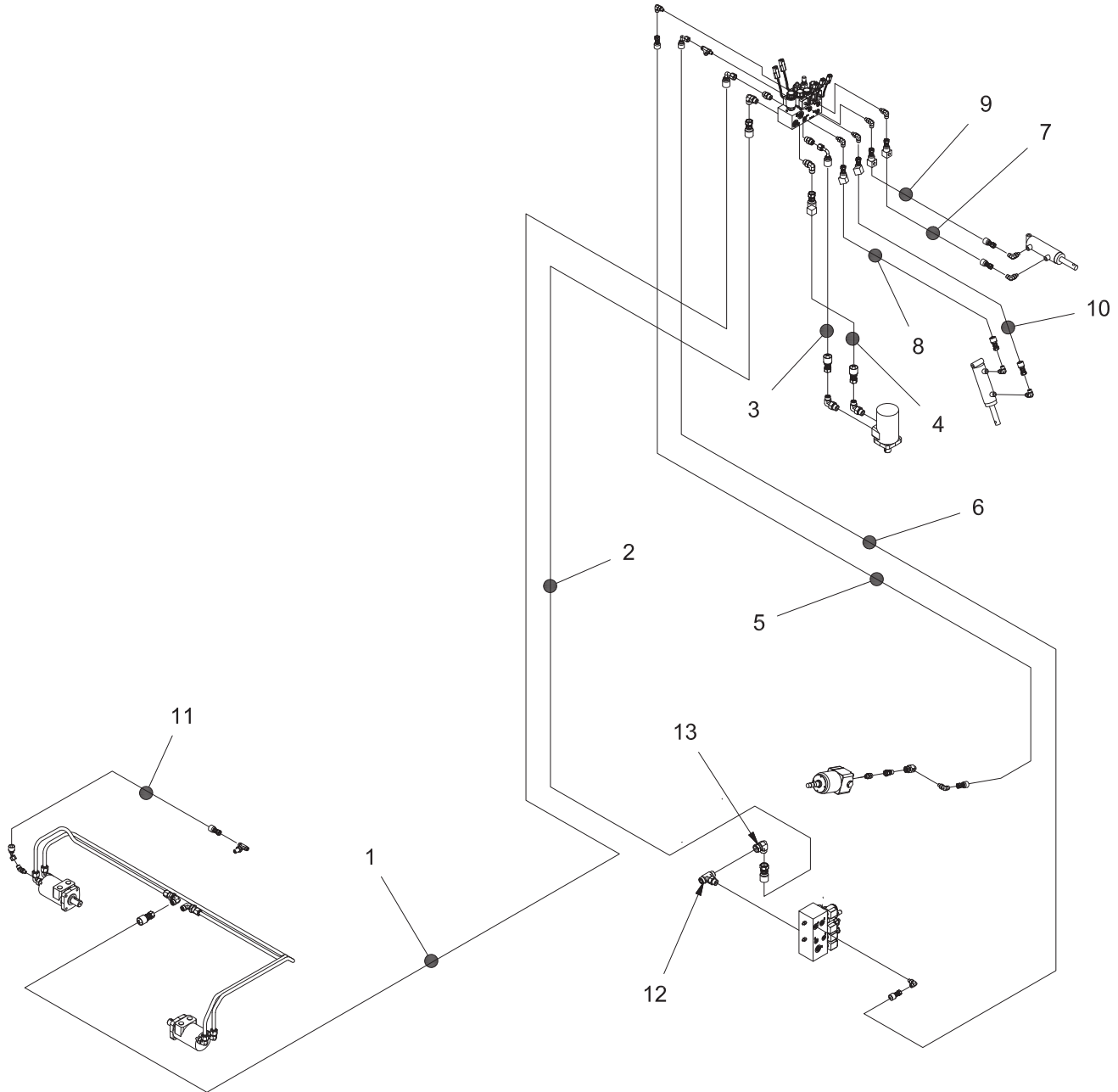
REV A

OPTION - SIDE BRUSH SOLUTION CONTROL GROUP (730002)

Parts List - 730002			
ITEM	PART NO.	QTY	DESCRIPTION
1	3315534	1	FTG-ADAPTER 1/2 MPT X 1/2 HB PP
2	3400385	4	WASHER-CONICAL SPRING 3/8
3	383465	1	FTG-NIPPLE 1/2 MPT X 1-1/8 LG BRASS
4	600933	2	NUT-NYLOC M6-1.00 SS
5	600936	4	NUT-FLANGE WIZZ M10-1.50 ZP GR 8
6	730876	1	PIN, ROLLER
7	730877	2	RET RING-EXT .750
8	730878	4	SCR-HH M10-1.50 X 30 SS
9	730915	1	ROLLER, SUB
10	730916	1	WELDMENT, SSB GUARD
11	730934	2	SCR-HH M6-1.00 X 16 SS FULL THREAD
12	730952	1	WELDMENT, SSB DOOR
13	730954	1	TUBING, .50 ID X .13 WALL BRD VINYL 4 IN
14	730956	1	VALVE, SOLENOID, 12V, ADJ
15	730960	1	SPACER PLT
16	730961	1	TUBING, .50 ID X .13 WAL BRA VINYL 16 IN
17	730962	4	CLAMP, WIRE HOSE
18	730966	1	FTG-TEE FEMALE 1/2 NPT X 1/2 X 1/2 PVC
19	730967	1	PAD, STEP
20	REFERENCE	1	FILTER AND STANDARD FITTING COMPONENTS
21	REFERENCE	1	FRAME
22	REFERENCE	1	FRAME
23	REFERENCE	1	BRACKET, FILTER MOUNT
24	3315535	2	FTG-ELBOW 90 1/2 MPT X 1/2 HB PP
25	REFERENCE	1	SSB MOUNT

**GROUP (730036) - OPTION SIDE SCRUB BRUSH, INCLUDES SUB-GROUPS:
730000, 730001, 730002, 730011, 730028, 730029**

OPTION - SIDE BRUSH HYDRAULIC HOSE GROUP (730011)



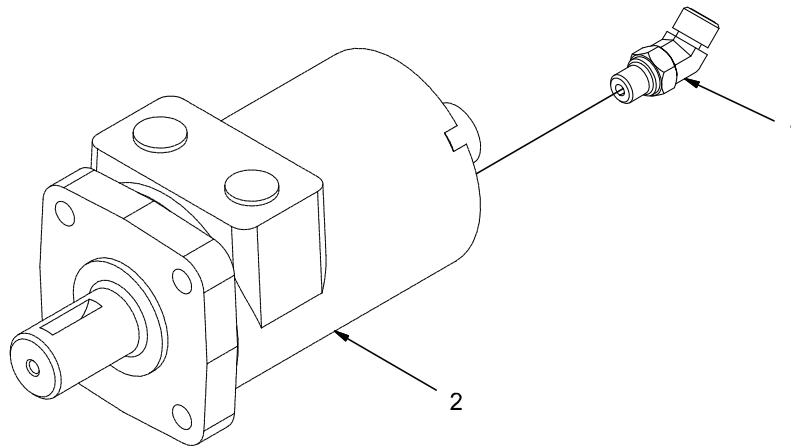
REV E

OPTION - SIDE BRUSH HYDRAULIC HOSE GROUP (730011)

Parts List - 730011			
ITEM	PART NO.	QTY	DESCRIPTION
1	731079	1	HOSE, 8 STR - 8 90 MED (LH MB TO SSB VALVE P2)
2	731081	1	HOSE, 10 STR - 8 45 MED (VALVE T2 TO SSB VALVE T2)
3	731082	1	HOSE, 8 STR - 8 90 MED (SSB VALVE SB OUT TO SB R)
4	731083	1	HOSE, 8-STR - 8 STR MED (SSB VALVE SB IN TO SB F)
5	731084	1	HOSE, 4-STR - 4 STR MED (STR TEE TO SSB VALVE P1)
6	731085	1	HOSE, 4 STR - 4 90 MED (VALVE T1 TO SSB VALVE T1)
7	731087	1	HOSE, 4 STR - 4 STR MED (SSB VALVE SBE B TO EXT CYL R)
8	731088	1	HOSE, 4 STR - 4 STR MED (SSB VALVE SBL A TO LIFT CYL U)
9	731089	1	HOSE, 4 STR - 4 STR MED (SSB VALVE SBE A TO EXT CYL L)
10	731089	1	HOSE, 4 STR - 4 STR MED (SSB VALVE SBL B TO LIFT CYL L)
11	731168	1	HOSE, 4 STR - 4 45 MED (LH MB CASE TO SCRUB HEAD TEE)
12	675623	1	FTG - BRANCH TEE -10 ORFS TO -10 ORFS TO -10 SAE
13	675624	1	FTG - SWIVEL NUT ELBOW -10 ORFS TO -10 ORFS

**GROUP (730036) - OPTION SIDE SCRUB BRUSH, INCLUDES SUB-GROUPS:
730000, 730001, 730002, 730011, 730028, 730029**

OPTION - SIDE BRUSH SCRUB HEAD GROUP (730028)

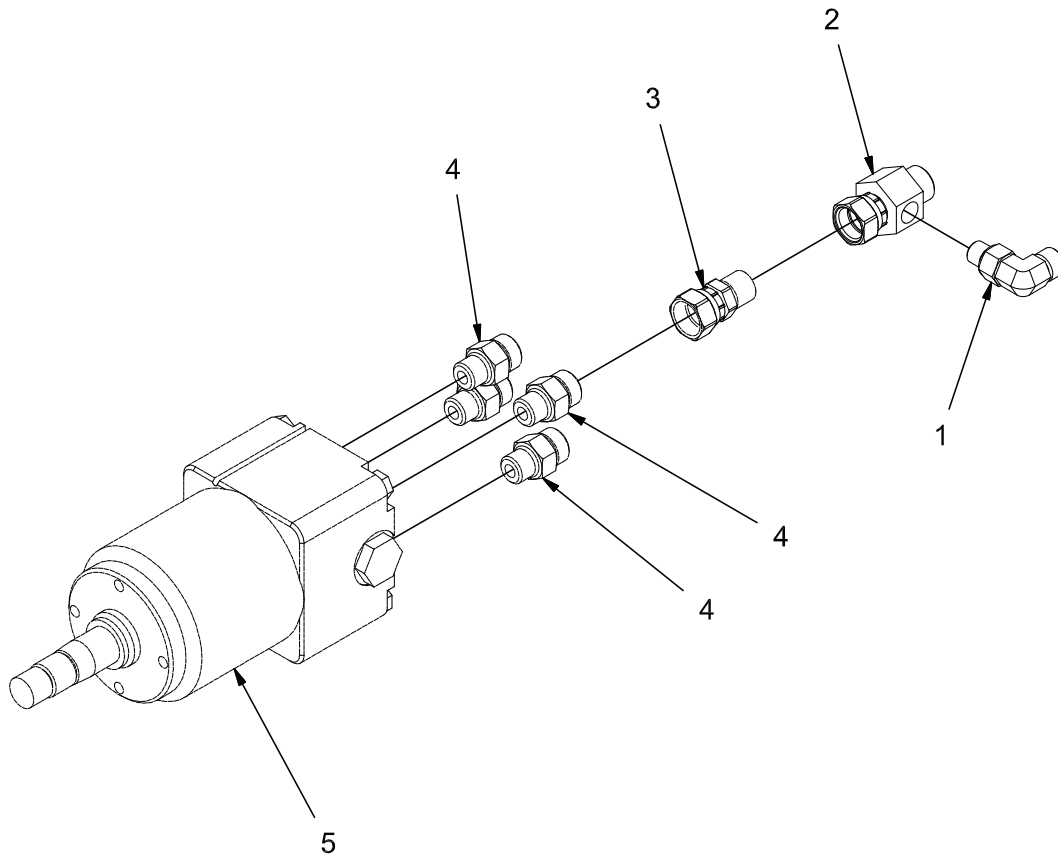


Parts List - 730028			
ITEM	PART NO.	QTY	DESCRIPTION
1	675541	1	FITTING, 45, 4 ORFS - 4 SAE
2	REFERENCE	1	LEFT SCRUB BRUSH MOTOR, 4.5 DISP

**GROUP (730036) - OPTION SIDE SCRUB BRUSH, INCLUDES SUB-GROUPS:
730000, 730001, 730002, 730011, 730028, 730029**

REV *

OPTION - SIDE BRUSH STEERING COLUMN GROUP (730029)

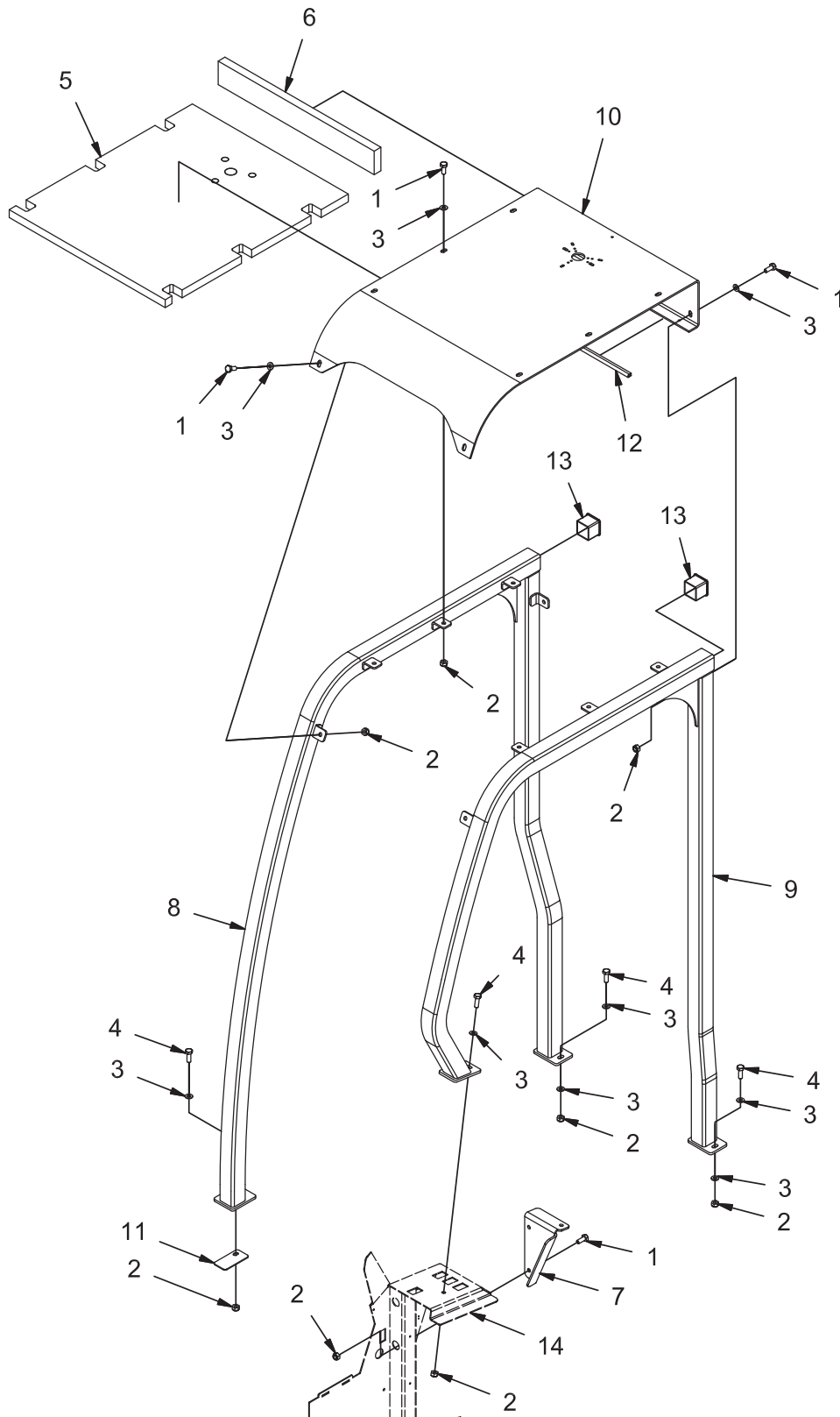


Parts List - 730029			
ITEM	PART NO.	QTY	DESCRIPTION
1	675541	1	FITTING, 45, 4 ORFS - 4 SAE
2	REFERENCE	1	LEFT SCRUB BRUSH MOTOR, 4.5 DISP
1	675507	1	FITTING, 90, -4 ORFS - 4 SAE
2	675604	1	FTG-TEE -6 ORFS TO -6 ORFS TO -4 SAE
3	REFERENCE	1	FTG - .094 ORIFICE ADAPTER -6 ORFS TO -6 ORFS
4	REFERENCE	1	FITTING, STR, 6 ORFS -6 SAE
5	REFERENCE	1	STEERING UNIT

**GROUP (730036) - OPTION SIDE SCRUB BRUSH, INCLUDES SUB-GROUPS:
730000, 730001, 730002, 730011, 730028, 730029**

REV *

OPTION - OVERHEAD GUARD GROUP (730003)



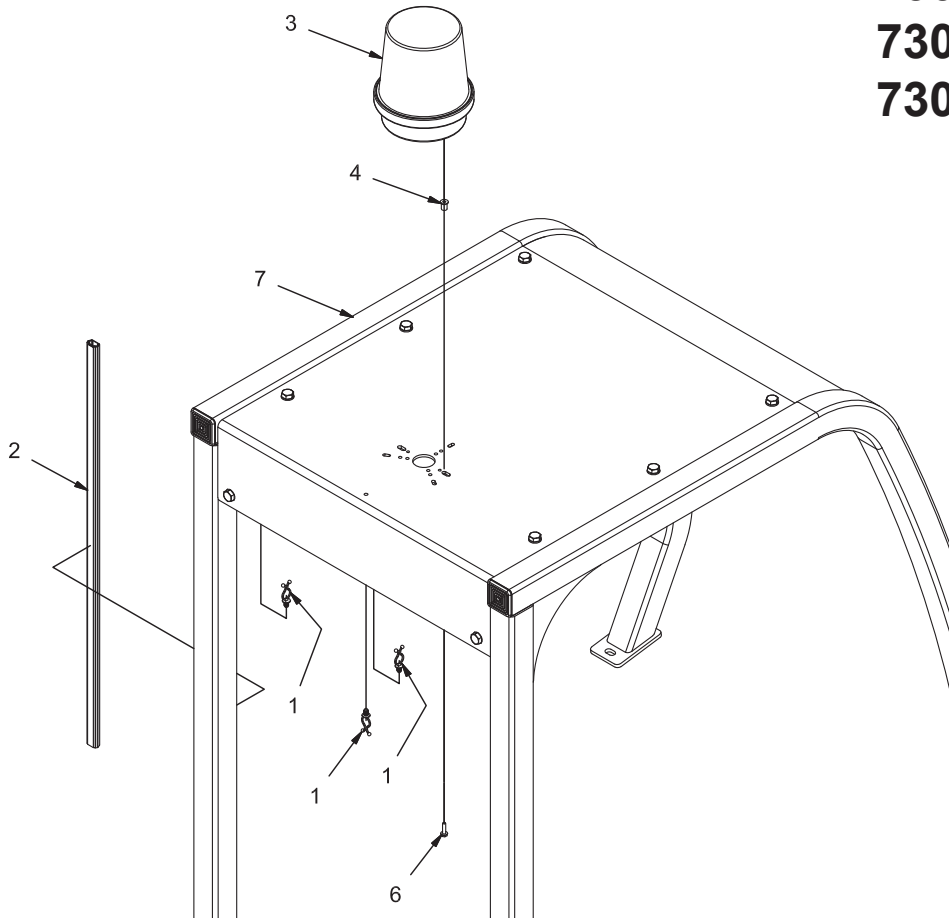
REV B

OPTION - OVERHEAD GUARD GROUP (730003)

Parts List - 730003			
ITEM	PART NO.	QTY	DESCRIPTION
1	11038346	12	BOLT, M10-1.50 X 25 HH
2	12040069	16	NUT, M10-1.50 ESN
3	12310058	14	WASHER, M10
4	3401051	4	SCR-HH M10-1.5 X 30 SS
5	730388	1	INSULATION, SOUND, OHG TOP
6	730389	1	INSULATION, SOUND, OHG BACK
7	730697	1	BRACKET, OHG
8	731012	1	WELDMENT, OHG, RH SIDE
9	731020	1	WELDMENT, OHG, LH SIDE
10	731024	1	OHG, TOP PLT
11	731026	1	PLATE, SPACER
12	731027	1	EDGING, 3/16 X 23.62 IN
13	731028	2	PLUG, TUBING
14	REFERENCE	1	CONSOLE

OPTION - LIGHT GROUP ON OVERHEAD GUARD

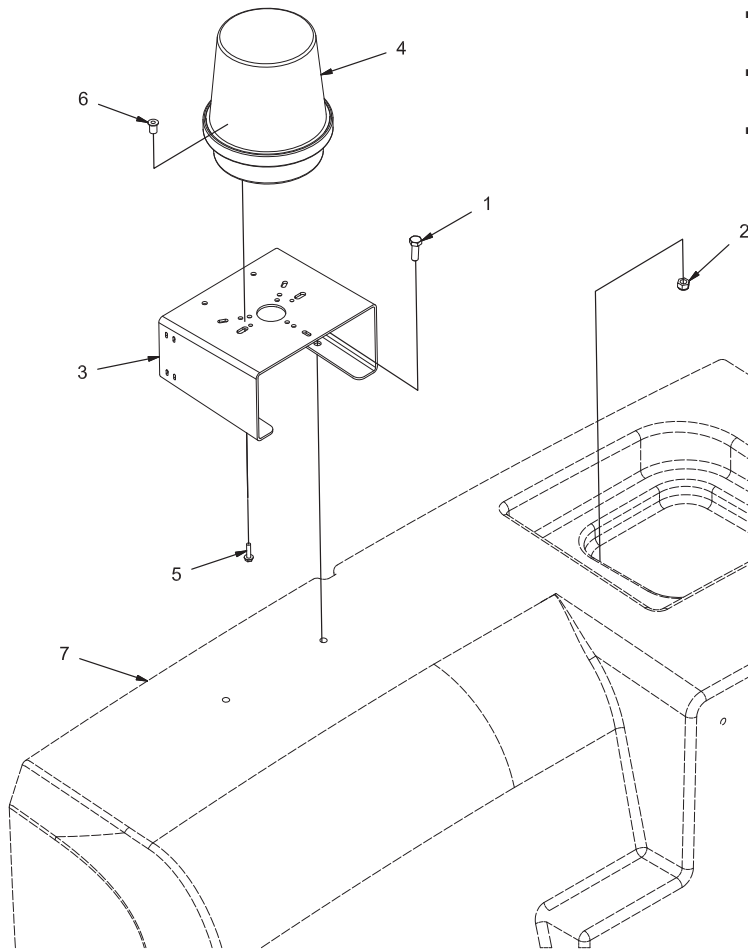
730186 BLUE
730187 RED
730189 AMBER



Parts List			
ITEM	PART NO.	QTY	DESCRIPTION
1	600581	3	CLAMP WIRE CLIP, PURSE-LOCK .60
2	731029	1	WIRE CHANNEL
3	748878	1	ASSEMBLY, BLUE LED LIGHT
	748879		ASSEMBLY, RED LED LIGHT
	620073-1		ASSEMBLY, AMBER LED LIGHT
4	3400172	3	NUT-JAM 10-32 ZP NYLOC
6	3400044	3	SCR-HH 10-32 X .75 ZP SERR FLANGE
7	REFERENCE	1	OVERHEAD GUARD
***	748871	1	HARNESS ASSY, SAFETY LIGHT

REV A

OPTION - LIGHT GROUP ON SOLUTION TANK



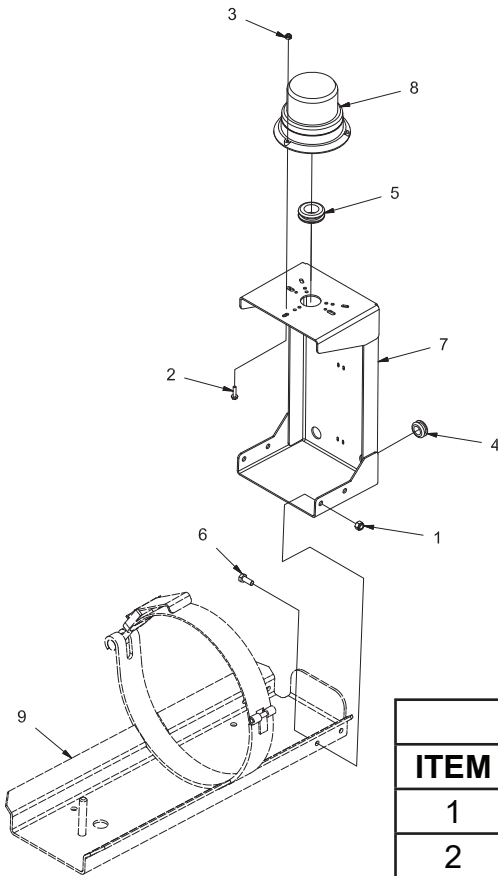
730186-4 BLUE
730187-4 RED
730189-4 AMBER

Parts List			
ITEM	PART NO.	QTY	DESCRIPTION
1	11039567	2	SCR-HH M8-1.25 X 25 SS
2	12040259	2	NUT-NYLOC M8 X 1.25 SS
3	731030	1	MOUNT, SAFETY LIGHTS
4	748878	1	ASSEMBLY, BLUE LED LIGHT
	748879		ASSEMBLY, RED LED LIGHT
	620073-1		ASSEMBLY, AMBER LED LIGHT
5	3400044	2	SCR-HH 10-32 X .75 ZP SERR FLANGE
6	3400172	2	NUT-JAM 10-32 ZP NYLOC
7	REFERENCE	1	SOLUTION TANK
***	748980	1	HARNESS, SAFETY LIGHT & BACKUP ALARM

REV A

**OPTION - LIGHT GROUP WHEN CHEMICAL METERING AND
RESERVE LPG TANK INSTALLED**

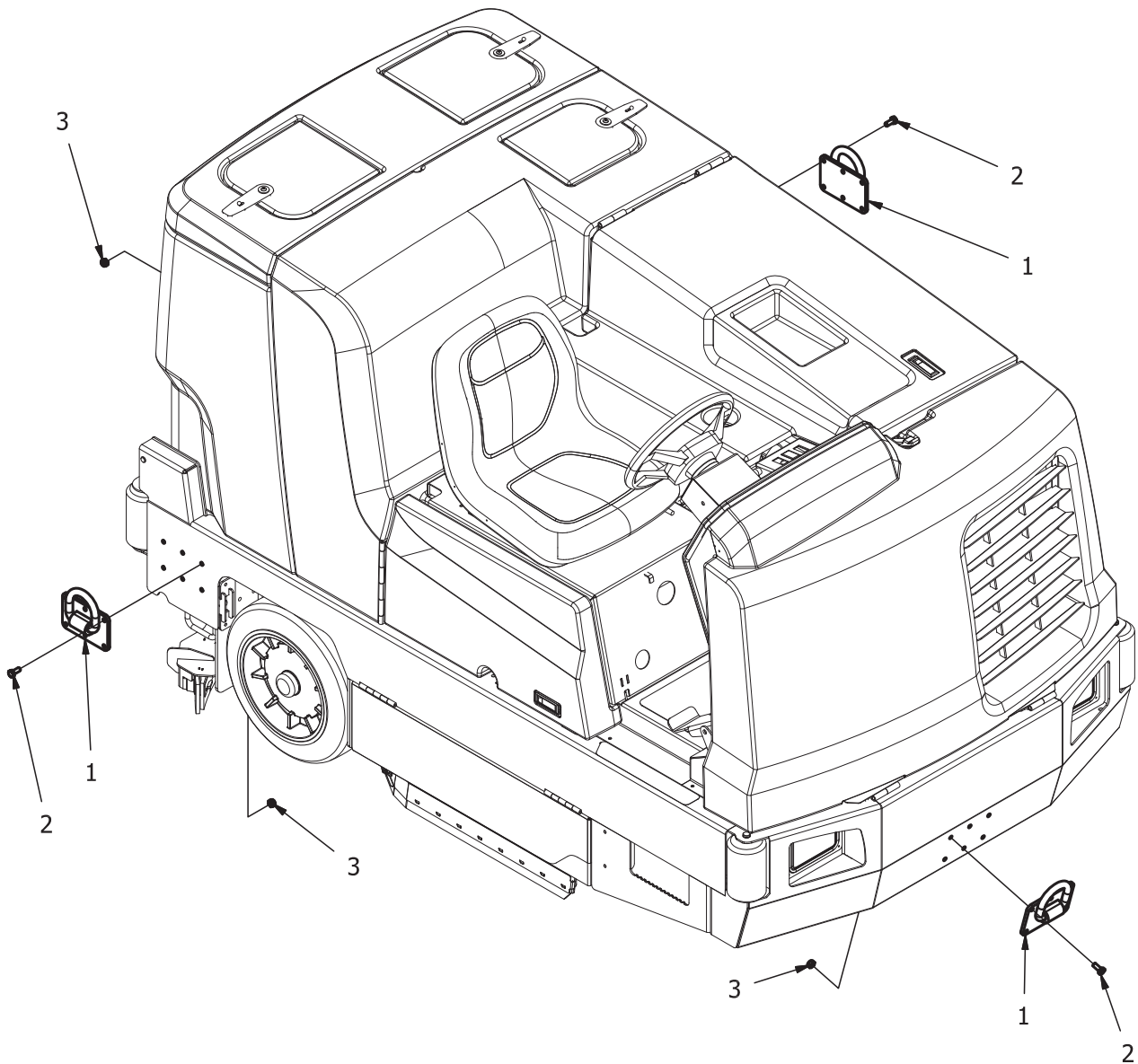
730186-5 BLUE
730187-5 RED
730189-5 AMBER



Parts List			
ITEM	PART NO.	QTY	DESCRIPTION
1	12040051	4	NUT-NYLOC M8 X 1.25 ZP CLASS 8
2	3400044	3	SCR-HH 10-32 X .75 ZP SERR FLANGE
3	3400172	3	NUT-JAM 10-32 ZP NYLOC
4	600151	1	GROMMET, .63 ID .88 OD .25 T
5	620160	1	GROMMET, 1.00 ID, 1.38 OD, .25 THK
6	717024	4	SCR-HH M8-1.25 X 20 ZP GRADE 8.8
7	731115-1	1	WELDMENT-SAFETY LIGHT MOUNT NAUTILUS
8	748878	1	ASSEMBLY, BLUE LED LIGHT
	748879		ASSEMBLY, RED LED LIGHT
	620073-1		ASSEMBLY, AMBER LED LIGHT
9	REFERENCE	1	OPTIONAL RESERVE LPT MOUNT 730160
	748980	1	HARNESS, SAFETY LIGHT & BACK-UP ALARM

REV A

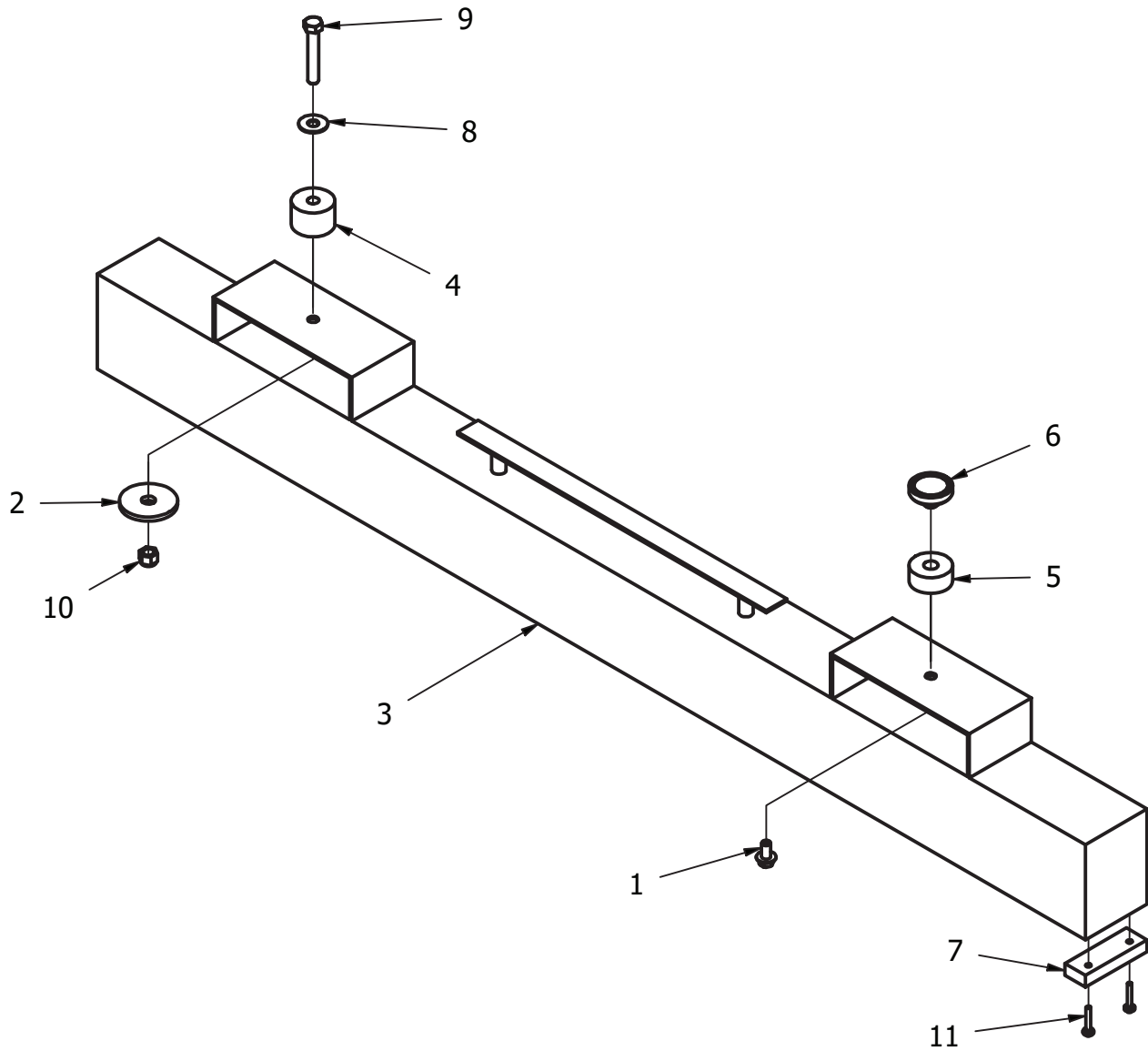
OPTION - TIE DOWNS (730026)



Parts List - 730026			
ITEM	PART NO.	QTY	DESCRIPTION
1	731566	3	TIE DOWN RING
2	11038346	18	SCR-HH M10-1.5 X 25 ZD CLASS 8.8
3	12040069	18	NUT-NYLOC M10 X 1.5 ZD CLASS 6

REV A

OPTION - MAGNETIC SWEEPER BAR (731918)

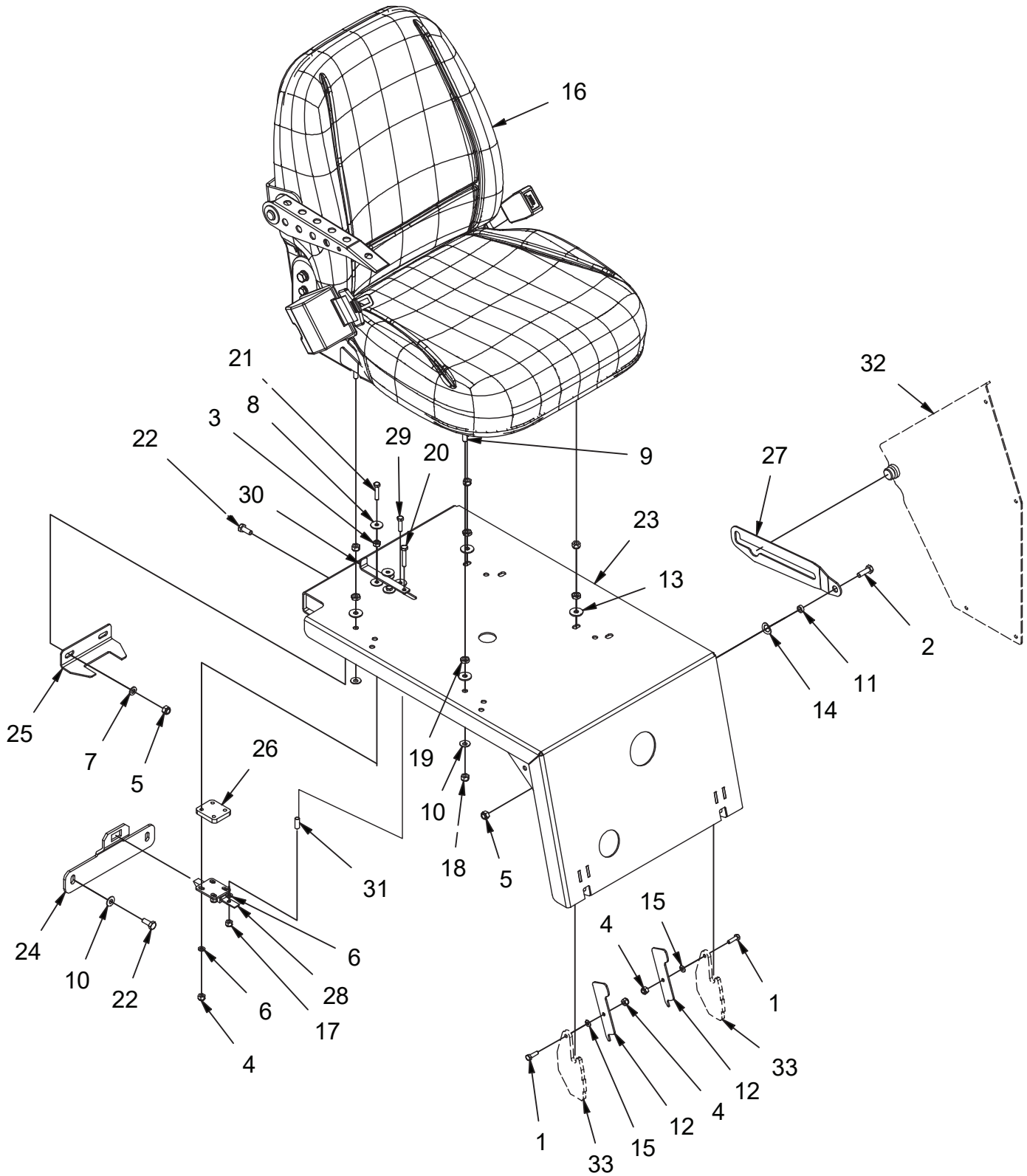


REV A

OPTION - MAGNETIC SWEEPER BAR (731918)

Parts List - 731918			
ITEM	PART NO.	QTY	DESCRIPTION
1	712042	1	SCR-HH 5/16-18 X.62 ZP GR 5 FLANGE
2	718015	1	WASHER, .484 B 2.00 OD .179 T
3	731919	1	MAGNETIC SWEEPER
4	731927	1	SPACER, 1.50 OD, .406 ID, 1.00 THK
5	731928	1	SPACER, 1.50 OD, .500 ID, .66 THK
6	731929	1	MAGNET, 100LB, 5/16-18 THREAD
7	731965	1	SLIDER, MAGNET SWEEPER, UHMWPE
8	3400336	1	WASHER-FLAT 3/8 X 1 X .105 SS
9	3400339	1	SCR-HH 3/8-16 X 2.25 SS PARTIAL THREAD
10	3400340	1	NUT-NYLOC 3/8-16 SS
11	11175494	2	SCR-MC M5X0.8 X 25 DIN7985 SS

OPTION - SUSPENSION SEAT GROUP (730007)

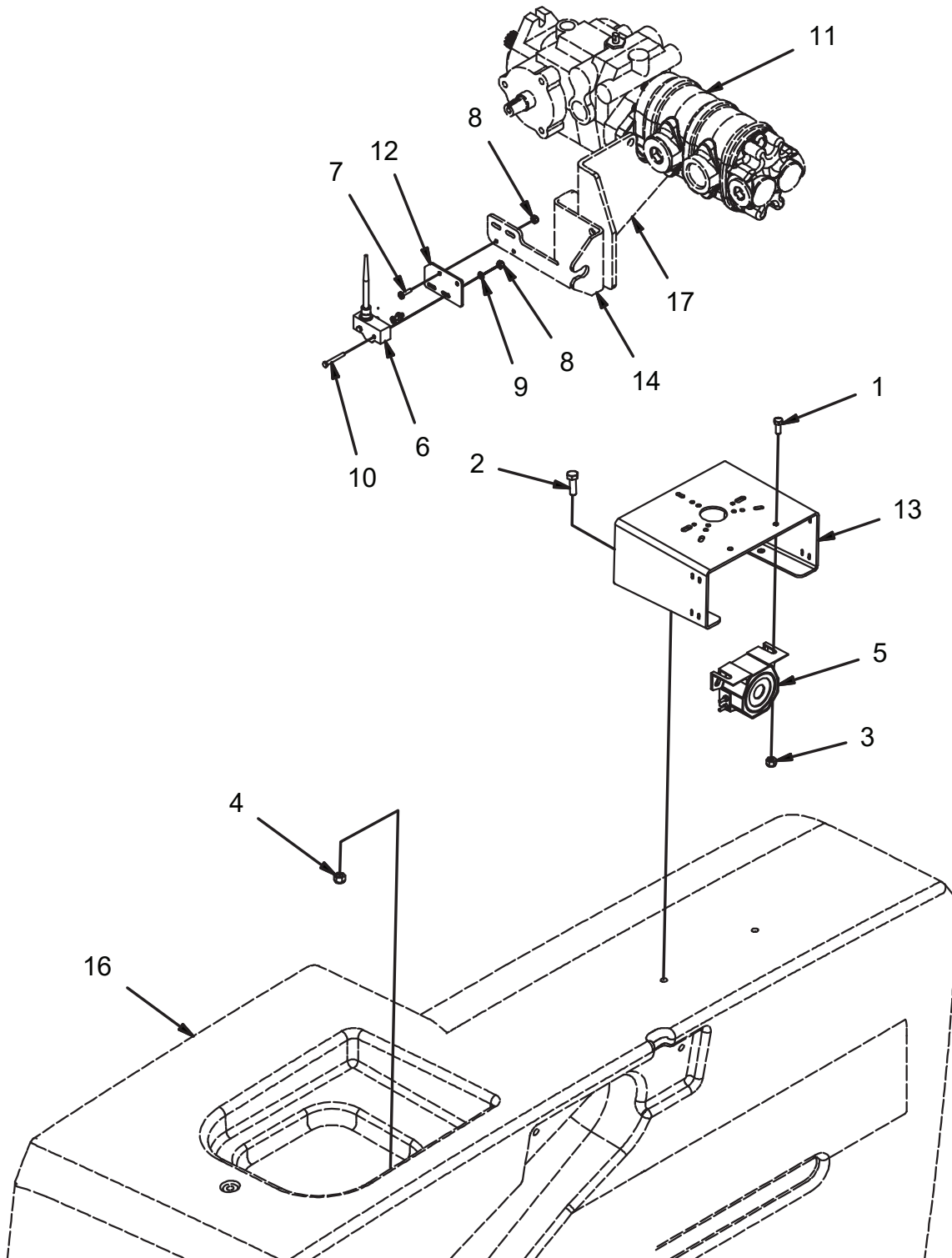


REV E

OPTION - SUSPENSION SEAT GROUP (730007)

Parts List - 730007			
ITEM	PART NO.	QTY	DESCRIPTION
1	11038098	2	SCR-HH M6-1.0 X 20 ZP CLASS 8.8 DIN
2	11038247	1	SCR-HH M8-1.25 X 25 ZP CLASS 8.8
3	12022042	2	NUT-HEX M6 X 1.0 STL ZD CL8 DIN 934
4	12040044	6	NUT-NYLOC M6 X 1.0 ZP CLASS 6
5	12040051	3	NUT-NYLOC M8 X 1.25 ZP CLASS 8
6	12310033	5	WASHER-FLAT M6.4 X 12 X 1.6 ZP
7	12310041	2	WASHER-FLAT M8.4 X 16 X 1.6 ZP
8	173080	6	WASHER-FLAT .266 X .875 X .07 SS
9	3400035	4	SCR-HH 5/16-18 X 1.00 ZP GR 5
10	3400384	6	WASHER-CONICAL SPRING 5/16
11	600138	1	SPACER, .328 B .500 OD .188T, SS
12	600194	2	LATCH COVER, ZP CLEAR
13	600940	4	WASHER-FENDER M8 X 24 ZP
14	600948	1	WASHER-WAVE .500 ID X 1.00 OD X .040 THI
15	600963	2	WASHER-WAVE M6 DIN 137
16	623001	1	SEAT, SUSPENSION W/SEAT BELT
17	711373	1	NUT-NYLOC 1/4-20 ZP
18	711374	4	NUT-NYLOC 5/16-18 ZP
19	711420	4	NUT-JAM 5/16-18 ZP
20	713005	1	SCR-HH 1/4-20 X 1.50 ZP GR 5 PART THRD
21	717021	2	SCR-HH M6-1.0 X 30 ZP CLASS 8.8
22	717024	4	SCR-HH M8-1.25 X 20 ZP GRADE 8.8
23	730320	1	WELDMENT, SEAT MOUNT
24	730482	1	BRACKET, SEAT STRIKER ZP
25	730484	1	PLATE, SEAT LOCK
26	730486	1	PLATE, SPACER ZP
27	730487	1	SUPPORT, SEAT MOUNT ZP CLR
28	730488	1	SLIDE LATCH
29	731006	2	SCR-HH M6-1.00 X 25 ZP CLASS 8.8
30	731262	1	RELEASE, LATCH
31	731263	1	SPACER, .257 B .313 OD .813 T
32	REFERENCE	1	COVER PLATE
33	REFERENCE	1	CONSOLE

OPTION - BACKUP ALARM GROUP (730008)

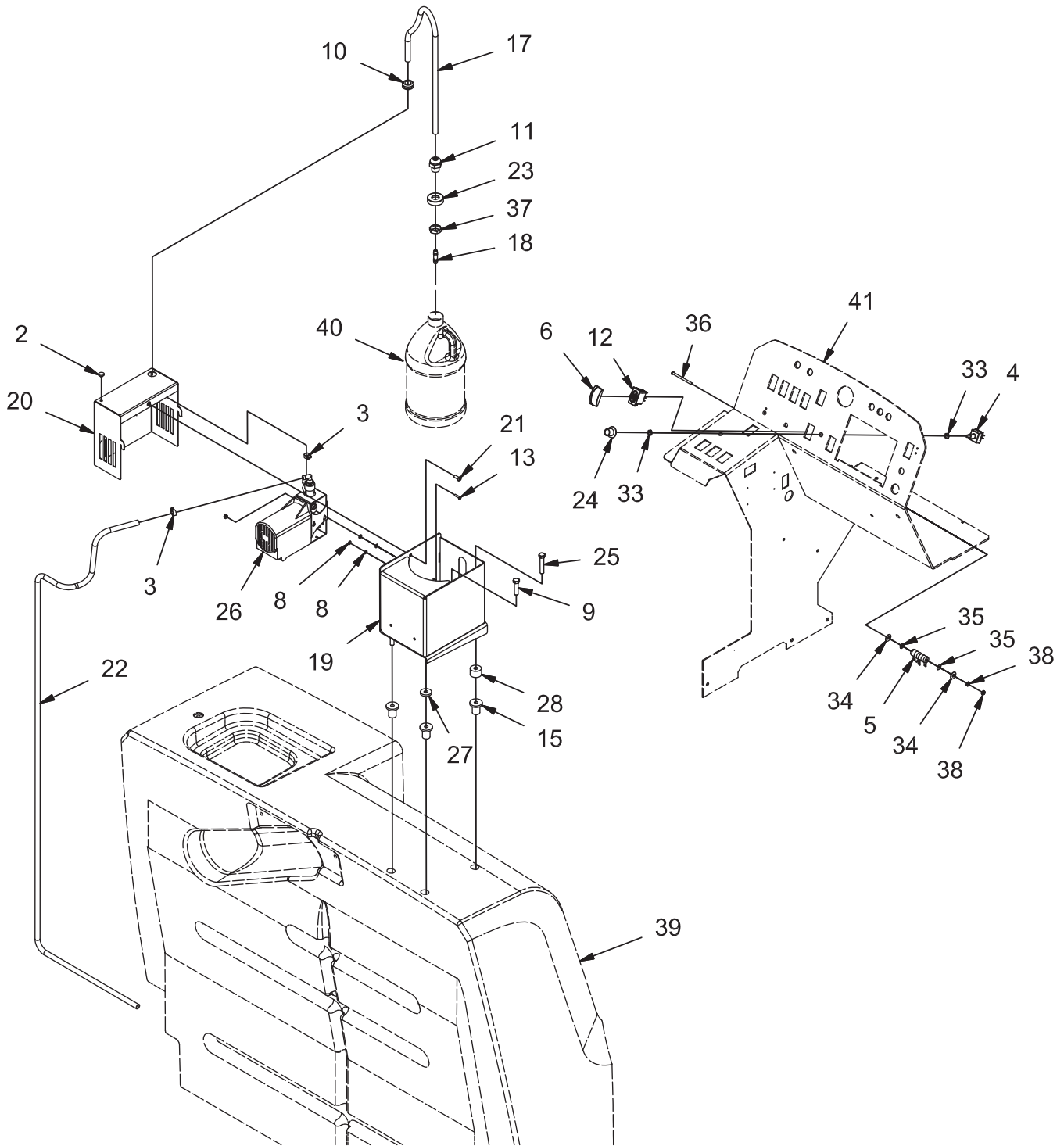


REV C

OPTION - BACKUP ALARM GROUP (730008)

Parts List - 730008			
ITEM	PART NO.	QTY	DESCRIPTION
1	11038072	2	BOLT, M6-1.00 X 16 HH
2	11039567	2	BOLT, M8-1.25 X 25 HH SS
3	12040044	2	NUT, M6-1.00 ESN
4	12040259	2	NUT, M8-1.25 ESN SS
5	3303002	1	ALARM, BACKUP
6	3342546-1	1	HARNESS, SWITCH, WHISKER
7	3400045	2	SCREW, #8-32 X .625 PAN HD ZP
8	3400082	4	NUT, FIBER INSERT #8-32
9	3400096	2	FLATWASHER, #8
10	620136	2	BOLT, #8-32 X 1.25 HH ZP
11	730310	1	PUMP, AUX
12	731002	1	MOUNT, REVERSE SWITCH
13	731030	1	MOUNT, SAFETY LIGHTS
14	REFERENCE	1	ADJUSTOR, HYDROBACK W/SW MNT
15	REFERENCE	1	PUMP ASSEMBLY
16	REFERENCE	1	SOLUTION TANK
17	REFERENCE	1	HYDROBACK MOUNT
***	748980	1	HARNESS, SAFETY LT & BACKUP ALARM
***	748719	1	HARNESS ASSEMBLY, BACK UP ALARM

OPTION - CHEMICAL METERING GROUP (730015)

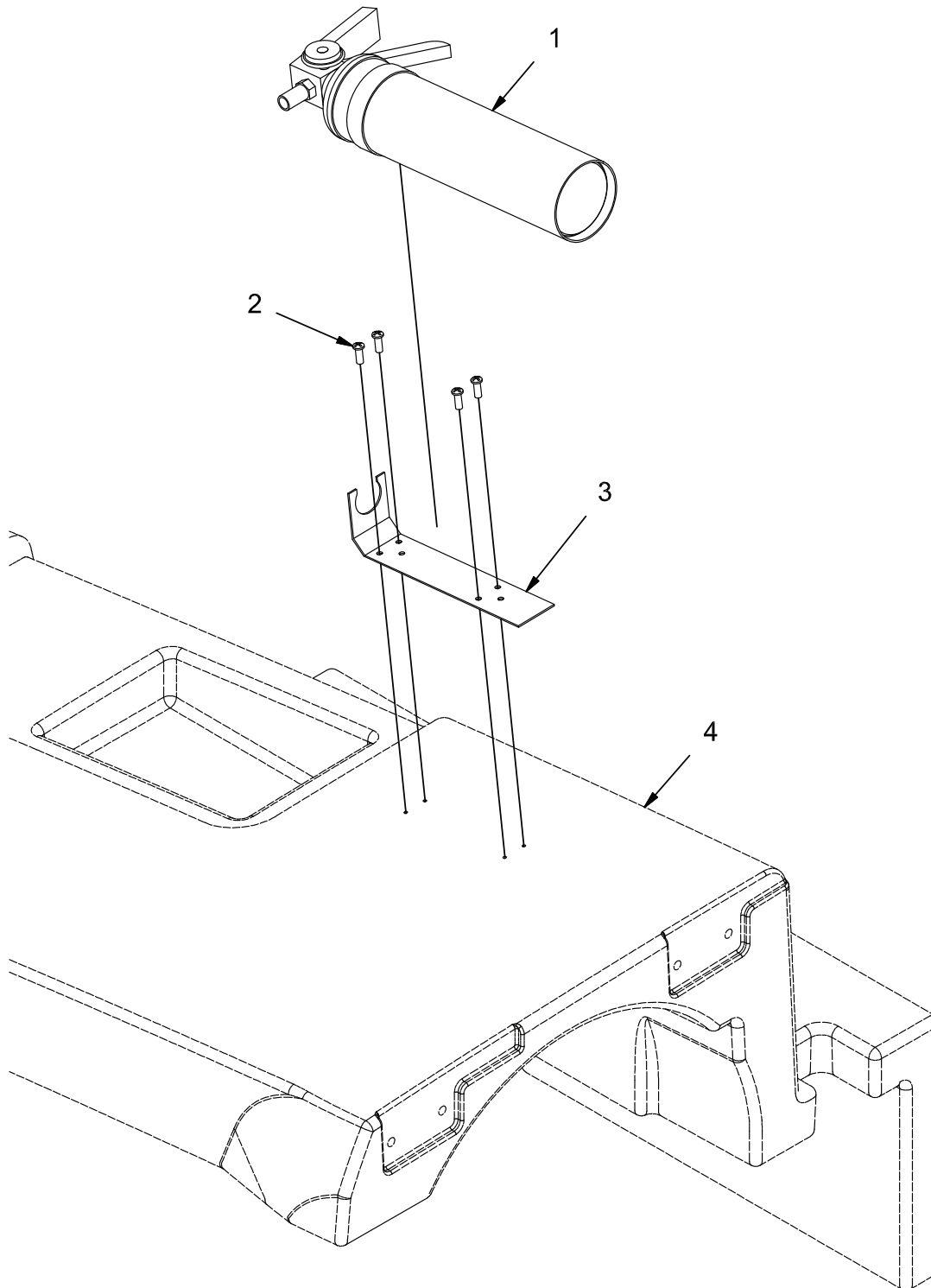


REV G

OPTION - CHEMICAL METERING GROUP (730015)

Parts List - 730015			
ITEM	PART NO.	QTY	DESCRIPTION
1	172400	1	FITTING, TEE, .38 X .50 X .50 POLY
2	3300526	1	BUMPER, .25 ID .125 T
3	3302338	2	CLAMP, HOSE, .50
4	3303072	1	SWITCH, ROTARY, 4-WAY
5	3323992	1	RESISTOR
6	3344038	1	SWITCH CAP
7	3400082	2	NUT, FIBER INSERT #8-32
8	3400096	4	FLATWASHER, #8
9	3400455	2	SCREW, 3/8-16 X 1.50 HH SS
10	600151	1	GROMMET, .63 ID .88 OD .25 T
11	600482	1	STRAIN RELIEF
12	620137	1	SWITCH BODY, DPST W/GREEN LAMP
13	710230	2	SCREW, #8-32 X .62 PAN HD
15	730991	3	NUT, RUBBER EXPANSION
17	731106	1	TUBING, .375 ID X .06 WALL VINYL 30 IN
18	731107	1	FTG-NIPPLE 3/8 HB X 3/8 HB NYLON
19	731111	1	WELDMENT, CHEMICAL PUMP MNT
20	731114-1	1	ASSEMBLY, PUMP COVER
21	731116	1	SCREW, M6-1.00 X 16 BUTTON HD CAP ZP
22	731117	1	TUBING, .375 ID X .06 WALL VINYL
24	731187	1	KNOB
25	731213	1	BOLT, 3/8-16 X 2.00 HH SS
26	731350	1	PUMP ASSY, METERING
27	731385	1	SPACER, .406 B 1.125 OD .188 T
28	731386	1	SPACER, .406 B 1.125 OD .750 T
29	748461	1	HARNESS ASSY, SPRAY PUMP
30	748462	1	HARNESS ASSY, SPRAY PUMP
31	748463	1	HARNESS ASSY, SPRAY PUMP
32	748464	1	WIRE ASSY, ORANGE, 16 AWG
33	PART OF 3303072	2	NUT
34	PART OF 3323983	2	FLAT WASHER, .31
35	PART OF 3323983	2	WASHER, RIDGE
36	PART OF 3323983	1	SCREW, #10-32 X 2.63
37	PART OF 600482	1	NUT, PLASTIC
38	PART OF 3323983	2	NUT, #19-32
39	REFERENCE	1	SOLUTION TANK
40	731120	1	CHEMICAL CONTAINER
41	REFERENCE	1	CONSOLE

OPTION - FIRE EXTINGUISHER GROUP (730016)



REV *

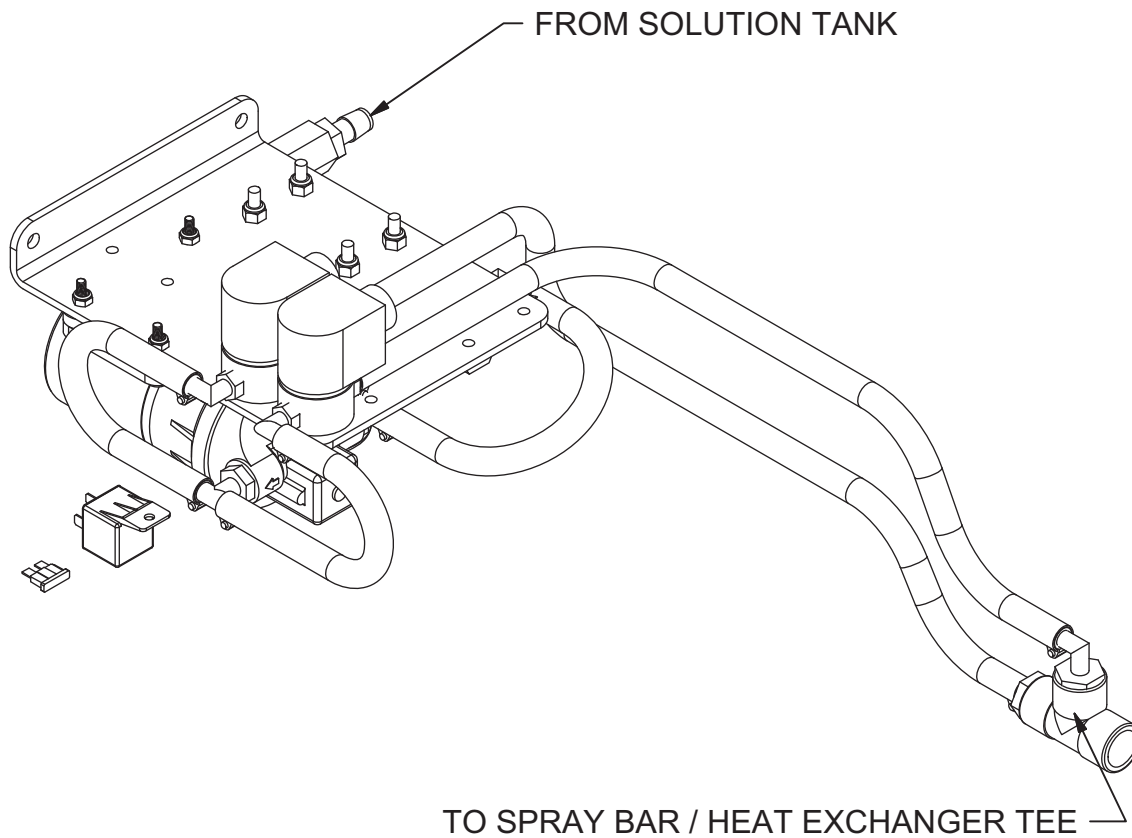
OPTION - FIRE EXTINGUISHER GROUP (730016)

Parts List - 730016			
ITEM	PART NO.	QTY	DESCRIPTION
1	3302769	1	FIRE EXTINGUISHER
2	731099	4	SCREW, M6 X 16 PAN HD ZP FOR PLASTIC
3	PART OF 3302769	1	MOUNT, EXTINGUISHER
4	REFERENCE	1	TOP COVER

OPTION - AUTO FILL GROUP (730017)

Parts List - 730017			
ITEM	PART NO.	QTY	DESCRIPTION
1	3302769	1	FIRE EXTINGUISHER
2	731099	4	SCREW, M6 X 16 PAN HD ZP FOR PLASTIC
1	101020	1	INDICATOR-PLATE OFF/ON
2	121109	1	SWIVEL-3/4" FGH X 1/2" BRASS
3	3302737-1	1	WIRE ASSY, SWITCH-LEVEL LS7
4	3315535	2	FTG-ELBOW 90 1/2 MPT X 1/2 HB PP
5	3400340	1	NUT-NYLOC 3/8-16 SS
6	3400384	1	WASHER-CONICAL SPRING 5/16
7	3400385	4	WASHER-CONICAL SPRING 3/8
8	383465	1	FTG-NIPPLE 1/2 MPT X 1-1/8 LG BRASS
9	710985	3	SCR-BHSCS 3/8-16 X .625 ZP
10	730529	1	SCR-HH 3/8-16 X 1.00 SS
11	730959	1	SCR-HH 3/8-16 X .75 SS
12	730962	2	CLAMP - UNICLAMP .650 DIA MAGNI 565
13	731042	1	BRACKET, AUTO FILL
14	731043	1	FTG-QUICK DISCONNECT 1/2
15	731044	1	FTG- BULKHEAD 1/2 NPT
16	731045	1	VALVE, SOLENOID WATER
17	731046	1	TUBING, .50 ID X .13 WALL BRAID VINYL
18	731048	1	FTG-QUICK DISCONNECT NIPPLE 1/2 FPT
19	731049	1	FTG-ELBOW 90 1/2 MPT X 1/2 MPT BRASS
20	731383	1	HOSE - COIL .38 X 50 FT
21	731437	1	WELDMENT, HOSE BOX
22	747693-1	1	SWITCH ASY, TOGGLE ON-ON SPDT W/ 3P
23	748989	1	HARNESS, AUTO FILL
24	PART OF 731044	1	WASHER
25	PART OF 731044	1	NUT
26	REFERENCE	1	FRAME
27	REFERENCE	1	SOLUTION TANK

OPTION - CONSTANT SOLUTION (731910)

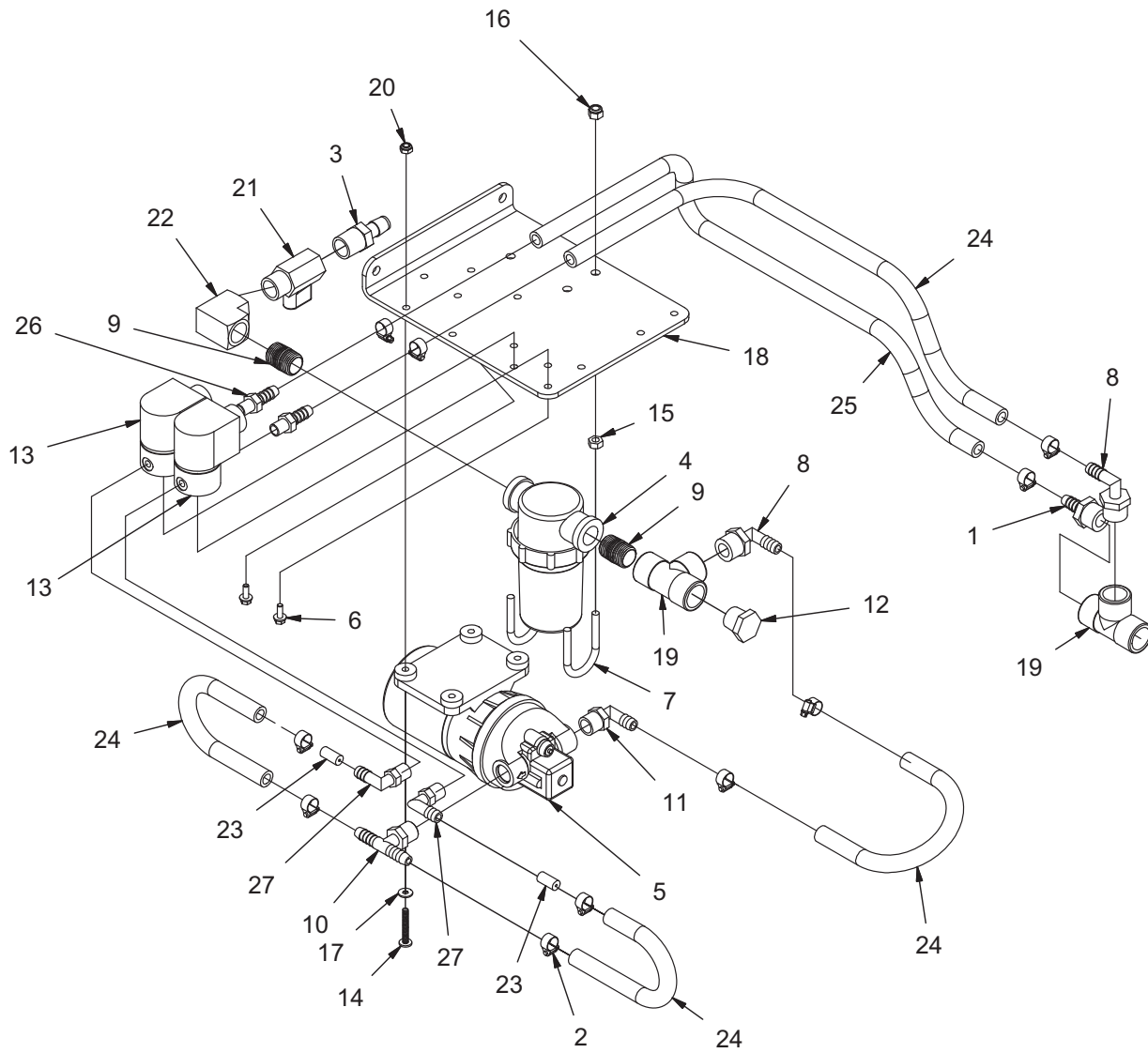


REV C

OPTION - CONSTANT SOLUTION (731910)

Parts List - 731910		
PART NO.	QTY	DESCRIPTION
731911	1	ASSY, CONSTANT SOLUTION (NEXT PAGE)
90264672	1	RELAY-SPDT, 12VDC 30A
3322601	1	FUSE-15 AMP AUTOMOTIVE PUSH IN
731999	1	HARNESS ASSY, CONST SOL
732001	1	HARNESS, CONST SOL PUMP
732002	1	WIRE ASSY, RED/BLK, 16 AWG
731999	1	HARNESS ASSY, CONST SOL

ASSEMBLY - CONSTANT SOLUTION (731911)

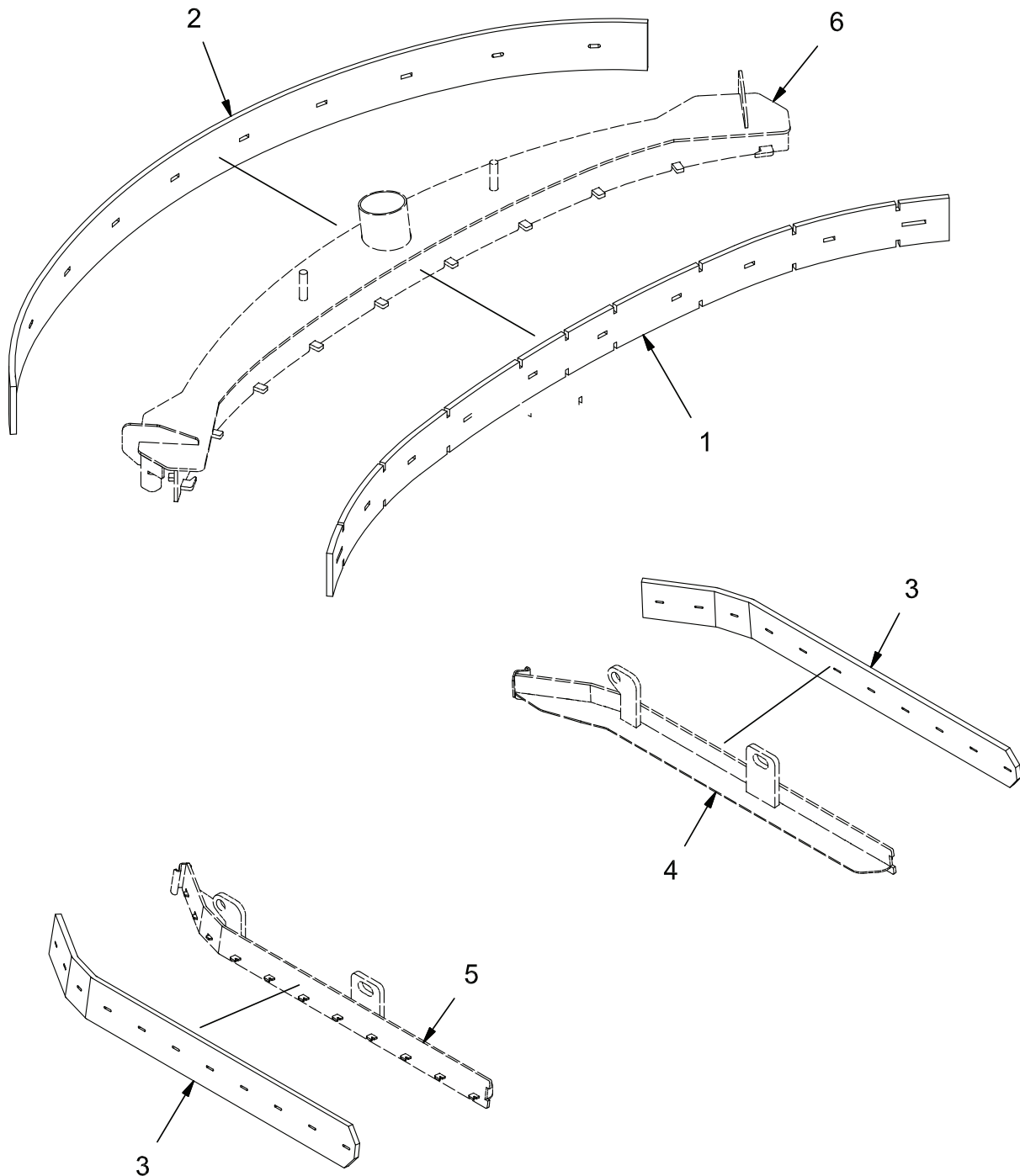


REV E

ASSEMBLY - CONSTANT SOLUTION (731911)

Parts List - 731911			
ITEM	PART NO.	QTY	DESCRIPTION
1	320991	1	FTG-ADAPTER 1/2 MPT X 3/8 HB PP
2	3302338	10	CLAMP - SCREW .25" to .625" DIA 301SS
3	3315534	1	FTG-ADAPTER 1/2 MPT X 1/2 HB PP
4	3323501	1	FILTER-B50 MESH INLINE
5	3331278-1	1	PUMP ASSY-SOLUTION 1.6GPM 60 PSI 12V
6	3400315	4	SCR-HH 10-32 X .50 ZP SERR FLANGE
7	3401981	2	BLT-U 1/4-20 X3/4 ZP
8	383327	2	FTG-ELBOW 90 1/2 MPT X 3/8 HB PP
9	383465	2	FTG-NIPPLE 1/2 MPT X 1-1/8 LG BRASS
10	450025	1	FTG-TEE 3/8 MPT X 3/8 HB NYLON
11	450040	1	FTG-ELBOW 90 3/8 MPT X 3/8 HB NYLON
12	500122	1	FTG-PLUG HEX 1/2
13	620278-1	2	SOLENOID ASSY, WATER, 1/4 FPT 12V 250PSI
14	710030	4	SCR-PHMS 10-32 X 1-3/8 SS
15	711316	4	NUT-HEX 1/4-20 ZP
16	711373	4	NUT-NYLOC 1/4-20 ZP
17	712764	4	WASHER-FLAT #10 SS
18	730955	1	BRACKET, FILTER MNT ZP
19	730966	2	FTG-TEE FEMALE 1/2 NPT X 1/2 X 1/2 PVC
20	731242	4	NUT-NYLOC 10-32 18-8 SS
21	731378	1	BALL VALVE, 1/2 IN NPT, BRASS
22	731380	1	FTG-ELBOW 90 ST 1/2 FPT X 1/2 FPT BRASS
23	731982	2	ORIFICE, CONST SOL, HIGH FLOW
24	731983	5	HOSE-NYL REINFORCED 3/8 ID, 12.00"
26	828952	2	FTG-ADAPTER 1/4 MPT X 3/8 HB PP
27	833325	2	FTG-ELBOW 90 1/4 MPT X 3/8 HB NYLON

OPTION - URETHANE SQUEEGEE BLADE GROUP (730024)

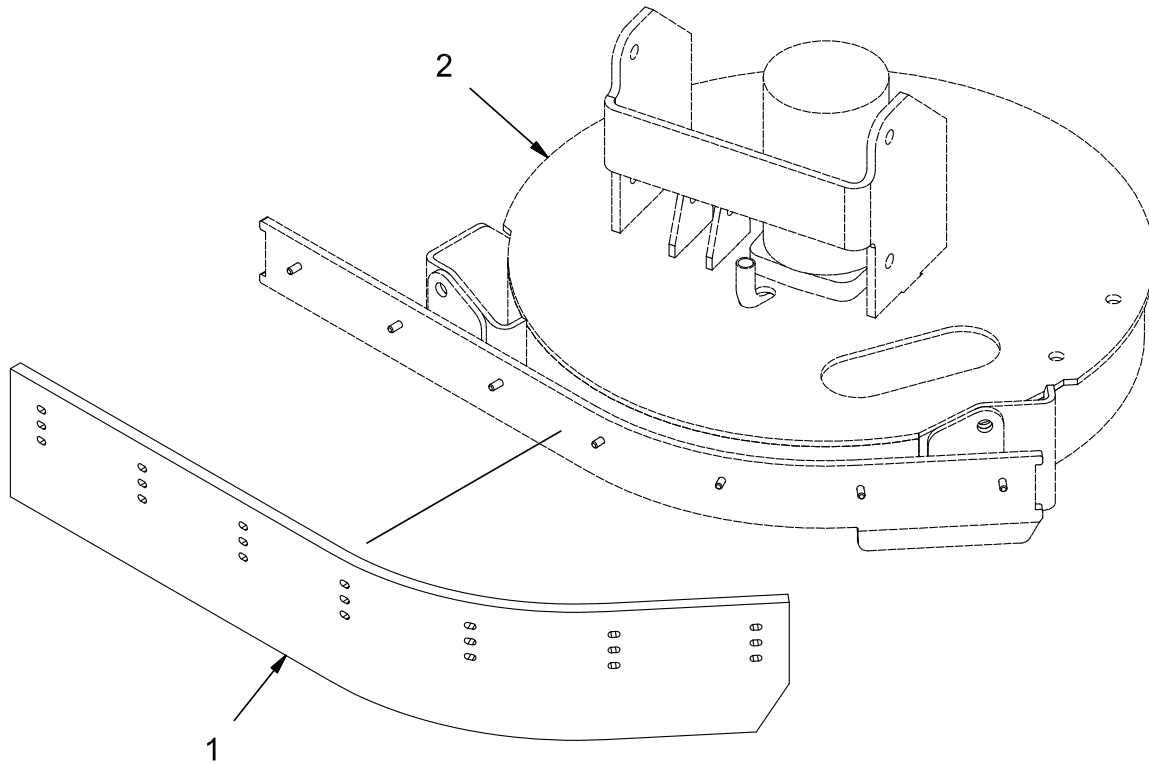


REV *

OPTION - URETHANE SQUEEGEE BLADE GROUP (730024)

Parts List - 730024			
ITEM	PART NO.	QTY	DESCRIPTION
1	731101	1	SQUEEGEE BLADE, FRONT, URETHANE
2	731102	1	SQUEEGEE BLADE, REAR, URETHANE
3	731103	2	SQUEEGEE, SIDE, URETHANE
4	REFERENCE	1	LH SQUEEGEE MOUNT
5	REFERENCE	1	RH SQUEEGEE MOUNT
6	REFERENCE	1	SQUEEGEE WELDMENT

OPTION - URETHANE SIDE BRUSH SQUEEGEE GROUP (730025)

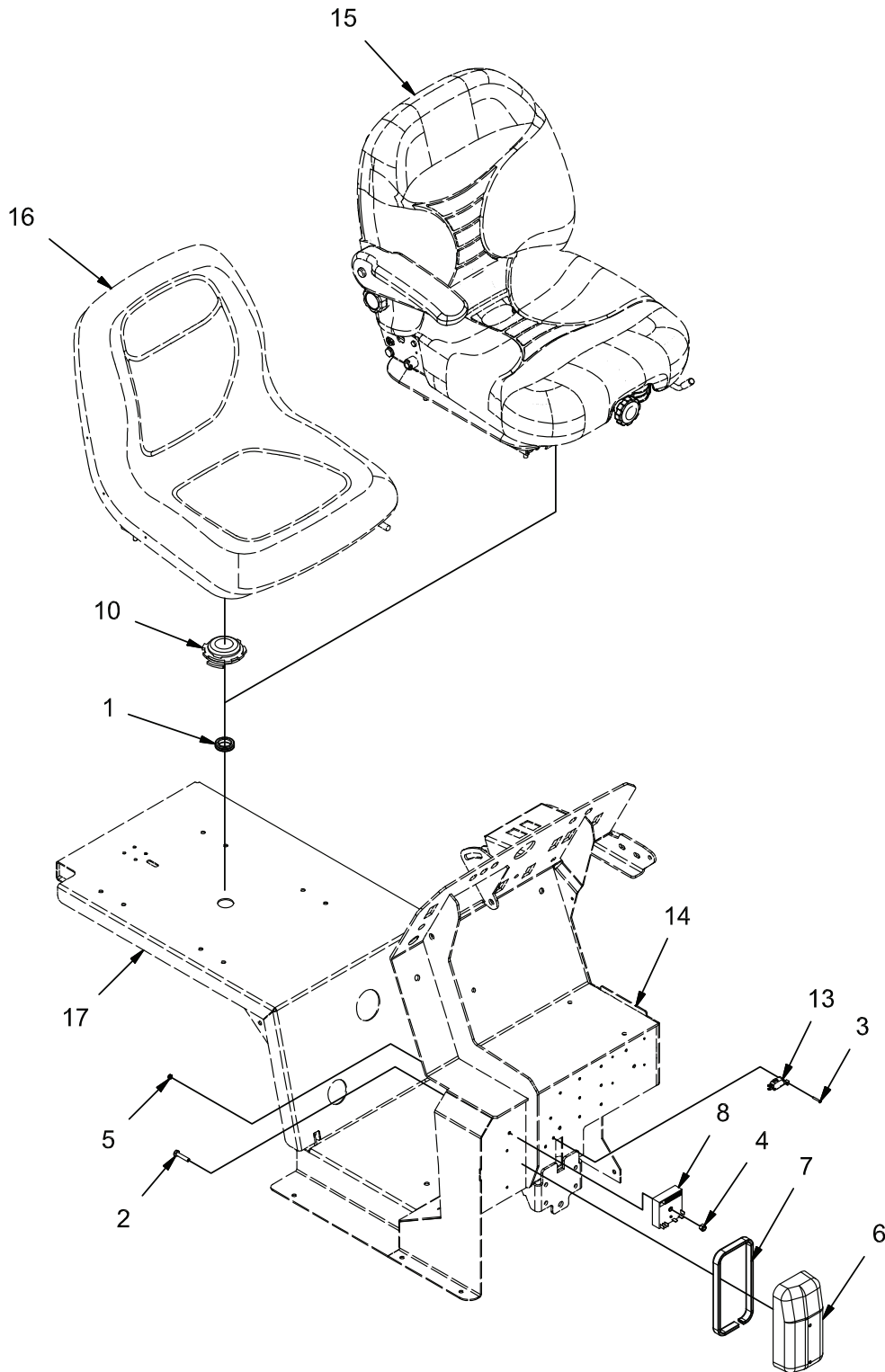


REV *

OPTION - URETHANE SIDE BRUSH SQUEEGEE GROUP (730025)

Parts List - 730025			
ITEM	PART NO.	QTY	DESCRIPTION
1	731104	1	SSB SQUEEGEE BLADE, URETHANE
2	REFERENCE	1	SSB MOUNT

OPTION - SEAT SWITCH (730031)

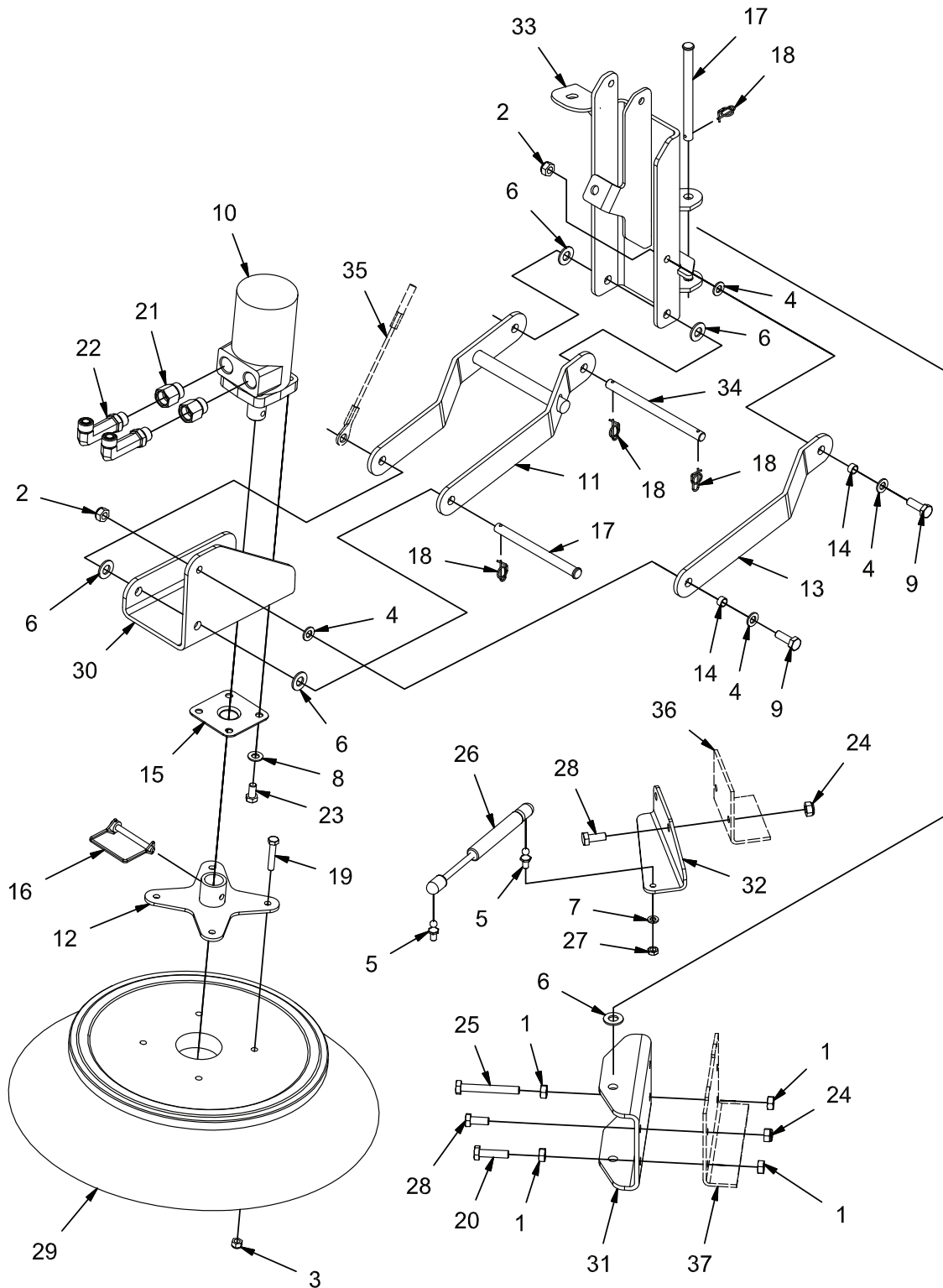


REV A

OPTION - SEAT SWITCH (730031)

Parts List - 730031			
ITEM	PART NO.	QTY	DESCRIPTION
1	220327	1	GROMMET. 1.25 X 1.00 X .125
2	3400227	1	SCREW, 1/4-20 X 1.25 HH ZP
3	710493	2	SCR-MC RND HD 4-40 X .75 ZP
4	711373	1	NUT, FIBER INSERT 1/4-20
5	712348	2	NUT, HEX 4-40 NYLON LOCK, ZP
6	731275	1	COVER, TIMER/CONTROLLER
7	731276	1	SEAL, CONTROLLER
8	748430	1	TIMER
10	748445	1	SWITCH - N/O TWIST LOCK (USED WITH STANDARD SEAT ONLY)
12	748999	1	SEAT SWITCH HARNESS
13	90636234	1	MICRO-SWITCH
14	REFERENCE	1	CONSOLE
15	REFERENCE	1	OPTIONAL SUSPENSION SEAT
16	REFERENCE	1	STANDARD SEAT
17	REFERENCE	1	SEAT MOUNT

OPTION - SIDE BROOM GROUP (730032)



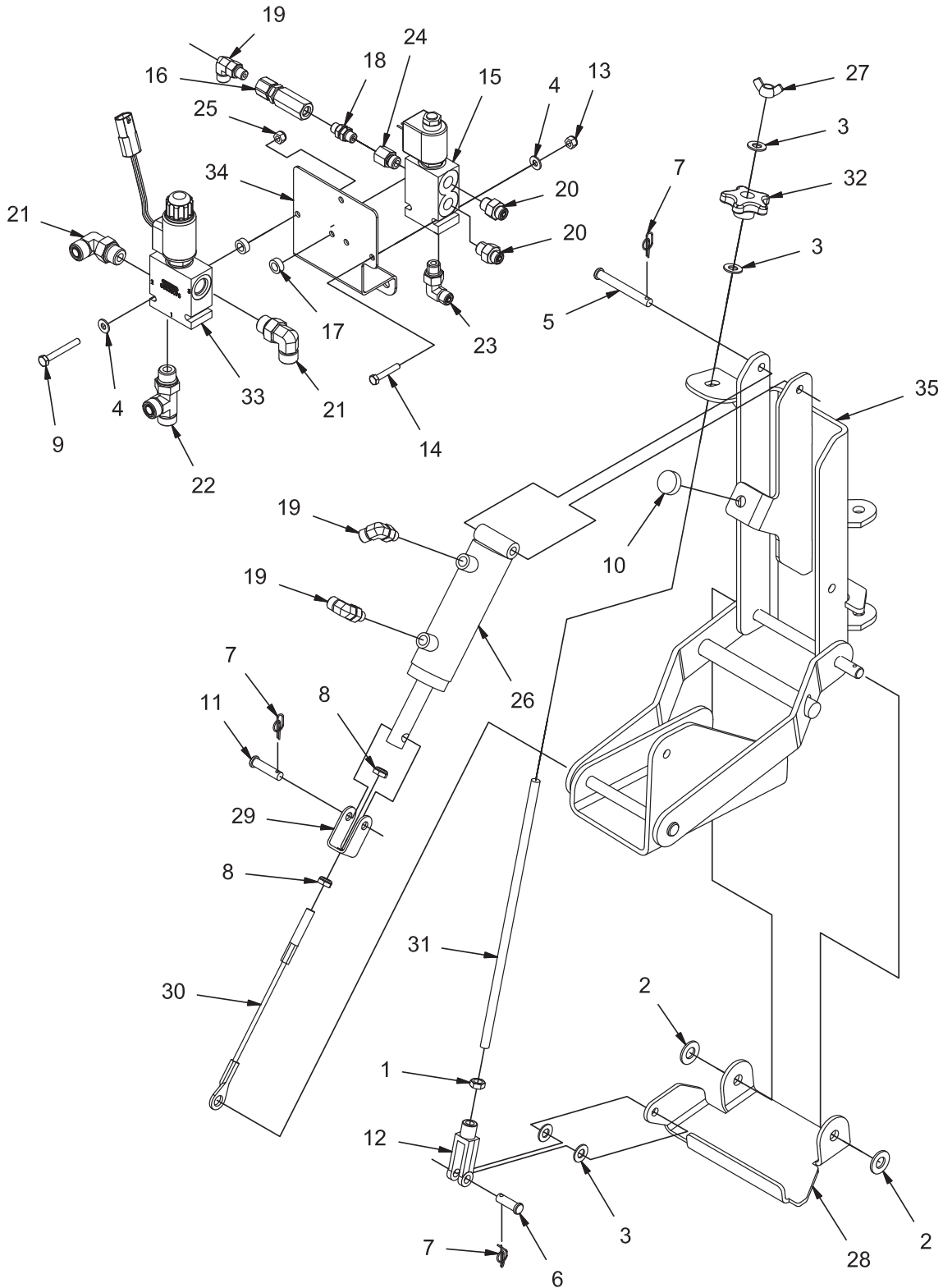
REV *

OPTION - SIDE BROOM GROUP (730032)

Parts List - 730032			
ITEM	PART NO.	QTY	DESCRIPTION
1	12022067	4	NUT, M10-1.50 HEX
2	12040069	2	NUT, M10-1.50 ESN
3	12040259	4	NUT, M8-1.25 ESN SS
4	12310058	4	WASHER, M10
5	3300376	2	STUD, 10MM BALL
6	3400086	5	WASHER, 1/2, 1.063 X .531 X .094
7	3400102	2	LOCK WASHER, 5/16 HS MED
8	3400385	4	WASHER, 3/8, BELLEVILLE
9	3401051	2	BOLT, M10-1.50 X 30 HH
10	600217	1	MOTOR, 17.9 DISP
11	600303	1	WELDMENT, SB TRAILING ARM
12	600322	1	WELDMENT, SB FLANGE
13	600325	1	SB LINK
14	600327	2	SPACER, .406 B .50 OD .280 T
15	600330	1	STRING GUARD
16	600566	1	PIN, WIRE LOCK, .313
17	600571	2	PIN, CLEVIS 1/2 X 6.00
18	600578	4	RUE-RING, .50
19	600820	4	BOLT, M8-1.25 X 45 HH
20	600962	1	BOLT, M10-1.50 X 40 HH FULL THRO
21	3400166	2	FITTING, REDUCER -10 SAE -8 SAE
22	675606	2	FITTING, LONG ELBOW -8 ORFS -8 SAE
23	713041	4	SCREW, 3/8-16 X .750 HHC
24	730339	4	NUT, M10-1.50 ESN SS
25	730424	1	BOLT, M10-1.50 X 80 HH ALL-THRO
26	730902	1	GAS STRUT, 8.77 EXT, 3.00 STK, 200N
27	730904	2	NUT, 5/16-18 HEX JAM SS
28	730958	4	BOLT, M10-1.50 X 25 HH SS
29	731274	1	BROOM, SIDE, 20"
30	731278	1	MOUNT, SB MOTOR
31	731279	1	MOUNT, SB PIVOT
32	731280	1	MOUNT, SB GAS STRUT
33	731285	1	WELDMENT, SB PIVOT
34	731290	1	PIN, RETAINING
35	REFERENCE	1	FRAME
36	REFERENCE	1	FRAME
37	REFERENCE	1	FRAME

**GROUP (730037) - OPTION SIDE BROOM, INCLUDES SUB-GROUPS:
730032, 730033, 730034, 730028, 730029.**

OPTION - SIDE BROOM LIFT AND ADJUSTMENT GROUP (730033)



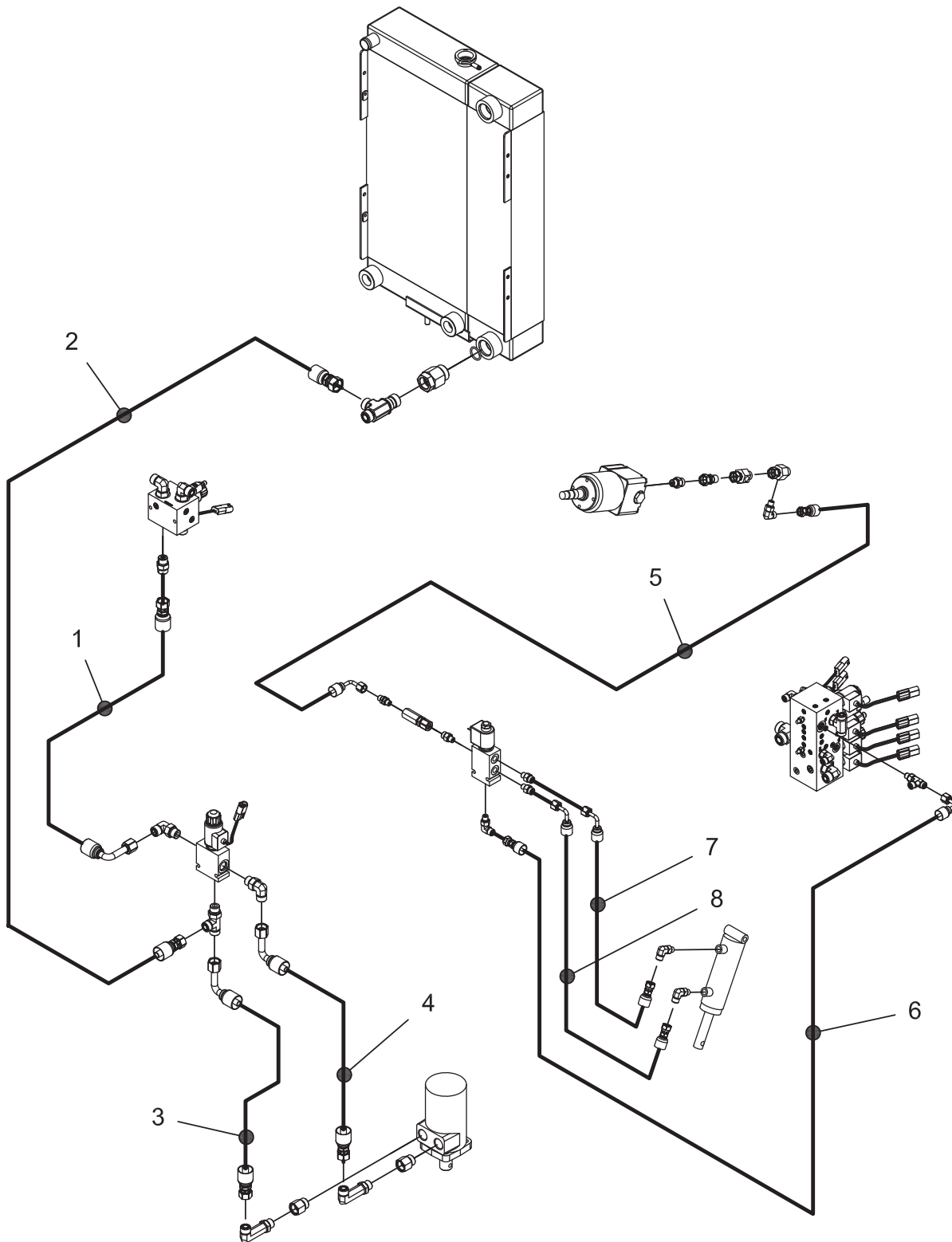
REV E

OPTION - SIDE BROOM LIFT AND ADJUSTMENT GROUP (730033)

Parts List - 730033			
ITEM	PART NO.	QTY	DESCRIPTION
1	3400075	1	NUT-JAM 3/8-24 ZP
2	3400086	6	WASHER-FLAT 1/2 ZP
3	3400087	4	WASHER-FLAT 3/8 ZP
4	3400089	4	WASHER-FLAT 1/4 ZP
5	3400115	1	PIN-CLEVIS 3/8 X 3.00 ZP
6	3400117	1	PIN-CLEVIS 3/8 x 1.125 ZP
7	3400125	3	RING-RUE 3/8
8	3401028	2	NUT-JAM 3/8-16 ZP NYLOC
9	3401063	2	SCR-HH 1/4-20 X 2.00 SS
10	600117	1	BUMPER, 1.0 OD, .50 GROMMET, RUBBER
11	600573	1	PIN-CLEVIS 3/8 X 1.50 ZP
12	600813	1	CLEVIS 3/8-24
13	600933	2	NUT-NYLOC M6-1.00 SS
14	600952	2	SCR-HH M6-1.00 X 35 SS
15	620005-1	1	ASSY, SOLENOID - 2 POS 4 WAY CROSSOVER
16	620008	1	CHECK VALVE
17	620009	2	SPACER .391 B .630 OD .250 T
18	620110	1	FTG-ORFS STR THD -4 -4 HIGH PRESS
19	675507	3	FTG-ORFS 90 ELBOW -4 -4 SAE
20	675511	2	FTG-ORFS STR THD -4 -6 SAE
21	675523	2	FTG-ORFS 90 ELBOW -8 -8 SAE
22	675525	1	FTG-ORFS TEE -8 -8 -8 SAE
23	675546	1	FTG-ORFS 90 ELBOW -4 -6 SAE
24	675745	1	FTG - PORT ADAPTER -6 ORMS -4 ORFS
25	712667	2	NUT-NYLOC 1/4-20 SS
26	730548	1	CYLINDER-1.5 BORE X 2.88 STROKE
27	731277	1	NUT-WING 3/8-24 NYLON
28	731281	1	CHANNEL, SB ADJUSTMENT
29	731282	1	CLEVIS, CABLE
30	731283	1	SB CABLE
31	731284	1	ROD, SB ADJUSTMENT
32	731291	1	KNOB, 3/8-24
33	731292	1	ASSEMBLY, SOLENOID VALVE 2-POS 3-WAY
34	770486	1	MOUNT, SOLENOID
35	REFERENCE	1	PIVOT ASSEMBLY

**GROUP (730037) - OPTION SIDE BROOM, INCLUDES SUB-GROUPS:
730032, 730033, 730034, 730028, 730029.**

OPTION - SIDE BROOM HYDRAULIC HOSE GROUP (730034)

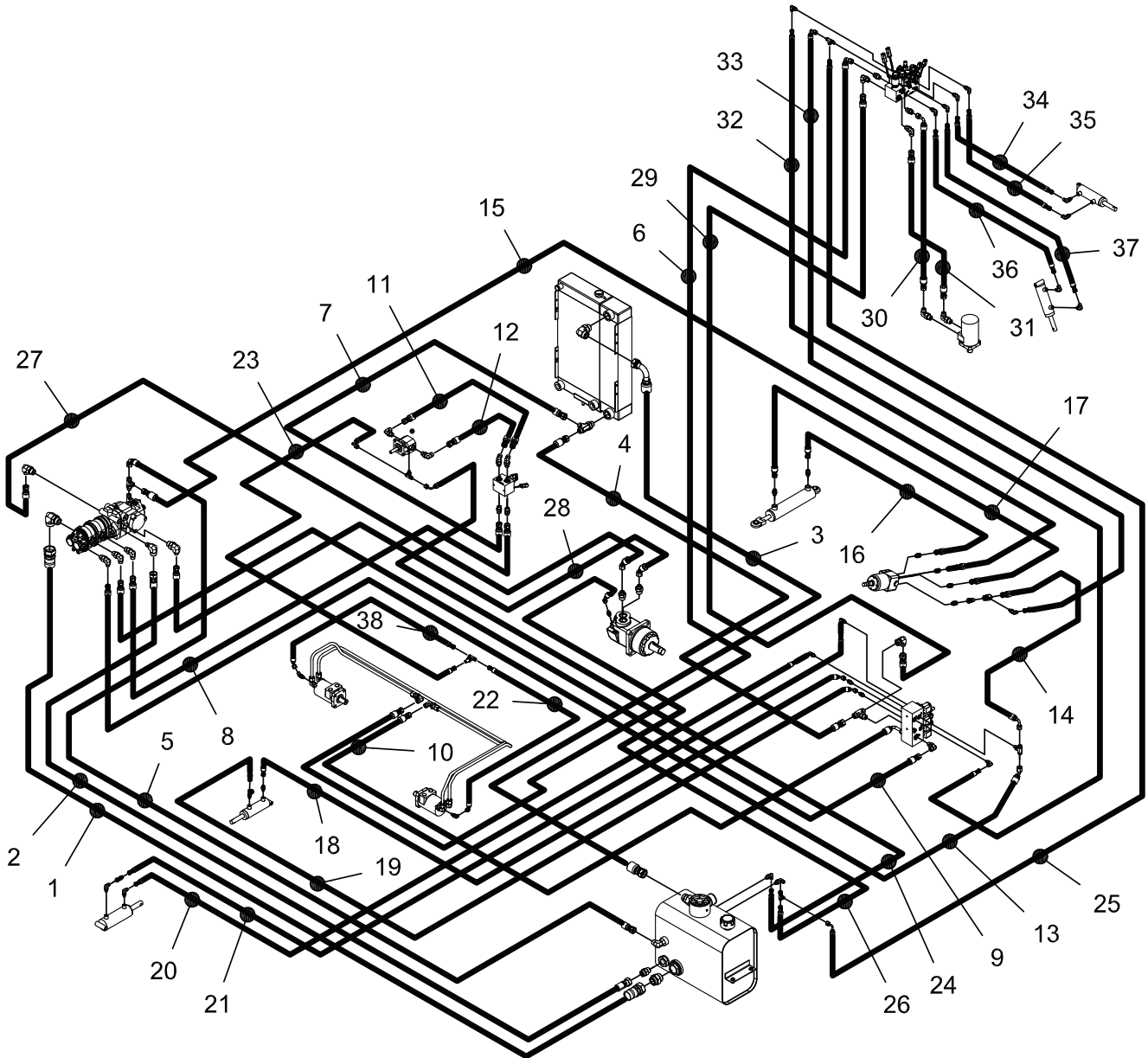


REV B

OPTION - SIDE BROOM HYDRAULIC HOSE GROUP (730034)

Parts List - 730034			
ITEM	PART NO.	QTY	DESCRIPTION
1	731500		HOSE, 8 STR - 8 MED (IMP SOL T TO SB MOTOR SOL 2)
2	REFERENCE		EXISTING HOSE - 731057
3	675470	1	HOSE, 8 STR - 8 90 MED (SB MOTOR SOL 1 TO SB LEFT)
4	675470	1	HOSE, 8 ST4 - 8 90 MED (SB MOTOR SOL 3 TO SB RIGHT)
5	731084	1	HOSE,4 STR-4 STR MED (STR TEE TO SSB VAL
6	731075	1	HOSE,4 STR-4 90 MED (VALVE T1 TO RES)
7	731085	1	HOSE, 4 STR -4 90 MED (CYL SOL 4 TO CYL PISTON END)
8	731085	1	HOSE, 4 STR -4 90 MED (CYL SOL 2 TO CYL BASE END)

OPTION - SIDE BRUSH HYDRAULIC HOSE ROUTING (730038)

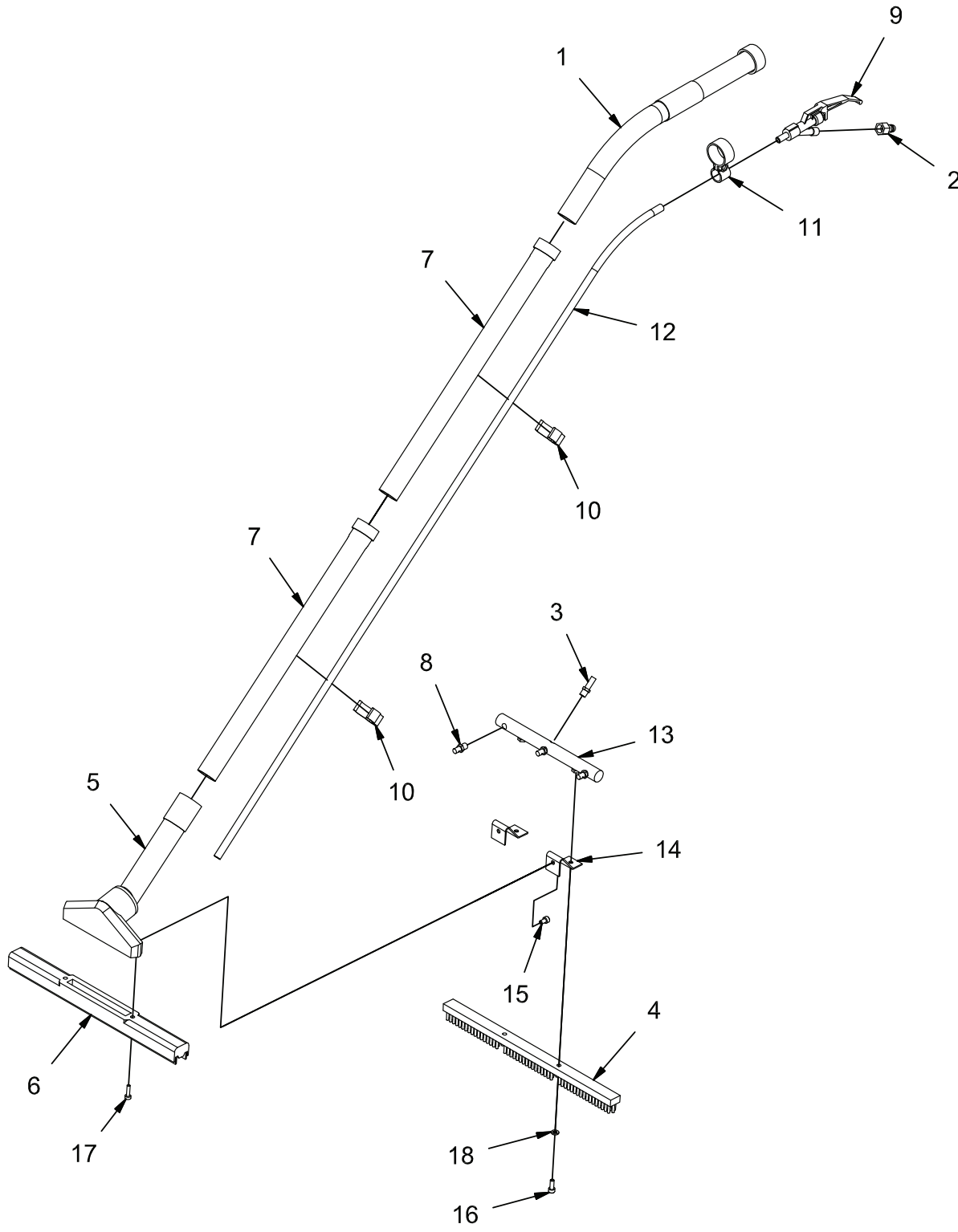


REV B

OPTION - SIDE BRUSH HYDRAULIC HOSE ROUTING (730038)

Parts List - 730038			
ITEM	PART NO.	QTY	DESCRIPTION
1	731051	1	HOSE, 20 STR - 20 STR sue (RES TO AUX PUMP IN)
2	731052	1	HOSE, 12 STR - 12 STR sue (RES TO VDP CASE)
3	731053	1	HOSE, 16 STR - 16 90 RET (COOLER UPPER TO RES)
4	731054	1	HOSE, 10 STR - 10 STR RET (VALVE T2 TO COOLER)
5	731055	1	HOSE, 10 STR - 8 90 RET (VDP CASE TO RES)
6	731079	1	HOSE, 8 STR - 8 90 MED (LH MB TO SSB VALVE P2)
7	731057	1	HOSE, 8 STR - 10 STR MED (IMP SOL T TO COOLER)
8	731058	1	HOSE, 8 STR - 8 STR MED (AUX PUMP 1 TO IMP SOL P)
9	731059	1	HOSE, 8 STR - 8 STR MED (AUX PUMP 2 TO VALVE P2)
10	731060	1	HOSE, 8 STR - 8 90 MED (VALVE MB OUT TO MB RIGHT)
11	731061	1	HOSE, 8 STR - 8 90 MED (IMP SOL VF OUT TO IMP LEFT)
12	731062	1	HOSE, 8 STR - 8 90 MED (IMP RIGHT TO IMP SOL VF IN)
13	731063	1	HOSE, 6 STR - 6 90 MED (AUX PUMP 3 TO VALVE P1)
14	731064	1	HOSE, 6 STR - 6 90 MED (VALVE P1 TO STR PRESS)
15	731065	1	HOSE, 6 STR - 8 STR RET (STR TANK TO VDP CASE)
16	731066	1	HOSE, 6 STR - 6 STR MED (STR LEFT TO CYL F)
17	731067	1	HOSE, 6 STR - 6 STR MED (STR RIGHT TO CYL R)
18	731068	1	HOSE, 4 STR - 4 45 MED (VALVE BL A TO SH CYL F)
19	731069	1	HOSE, 4 STR - 4 45 MED (VALVE BL A TO SH CYL R)
20	770577	1	HOSE, 4 STR - 4 STR MED (VALVE SG B TO SQU CYL L)
21	770576	1	HOSE, 4 STR - 4 STR MED (VALVE SG A TO SQU CYL R)
22	731072	1	HOSE, 4 STR - 4 45 MED (RH MB CASE TO SCRUB HEAD TEE)
23	731073	1	HOSE, 4 STR - 4 90 MED (SCRUB HD TO IMP CASE)
24	731074	1	HOSE, 4 STR - 4 90 MED (IMP CASE TO RES)
25	731075	1	HOSE, 4 STR - 4 90 MED (SSB VALVE T1 TO RES)
26	731076	1	HOSE, 4 STR - 4 45 MED (WHEEL DRIVE CASE TO RES)
27	731077	1	HOSE, 8 STR - 8 45 SPCL (VDP L TO WHEEL DRIVE R)
28	731078	1	HOSE, 8 STR - 8 45 SPCL (VDP R TO WHEEL DRIVE F)
29	731081	1	HOSE, 8 45 - 10 90 MED (SSB VALVE T2 TO VALVE T2)
30	731082	1	HOSE, 8 STR - 8 90 MED (SSB VALVE SB OUT TO SB R)
31	731083	1	HOSE, 8-STR - 8 STR MED (SSB VALVE SB IN TO SB F)
32	731084	1	HOSE, 4-STR - 4 STR MED (STR TEE TO SSB VALVE P1)
33	731085	1	HOSE, 4 STR - 4 90 MED (VALVE T1 TO SSB VALVE T1)
34	731089	1	HOSE, 4 STR - 4 STR MED (SSB VALVE SBE A TO EXT CYL L)
35	731087	1	HOSE, 4 STR - 4 STR MED (SSB VALVE SBE B TO EXT CYL R)
36	731088	1	HOSE, 4 STR - 4 STR MED (SSB VALVE SBL A TO LIFT CYL U)
37	731089	1	HOSE, 4 STR - 4 STR MED (SSB VALVE SBL B TO LIFT CYL L)
38	731168	1	HOSE, 4 STR - 4 45 MED (LH MB CASE TO SCRUB HEAD TEE)

OPTION - SPRAY AND VAC WAND TOOL GROUP (730021 - PART 1)



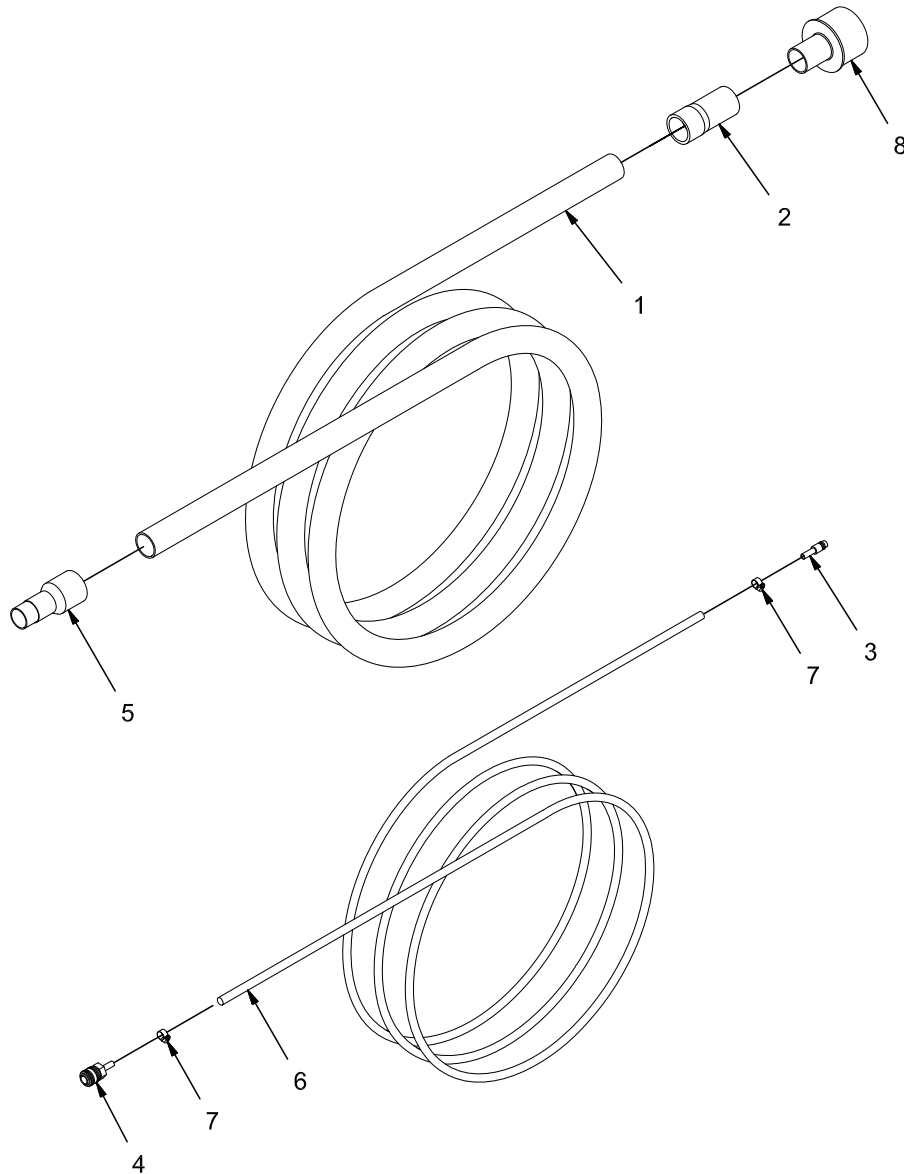
REV *

OPTION - SPRAY AND VAC WAND TOOL GROUP (730021 PART 1)

Parts List - 730021			
ITEM	PART NO.	QTY	DESCRIPTION
1	***	1	UPPER TUBE, AVAILABLE ON REQUEST
2	00054440	1	FITTING, MALE QUICK DISCONNECT
3	00054450	1	FITTING, HOSE BARB
4	00112340	1	BRUSH STRIP
5	00112350	1	NOZZLE BODY
6	00112360	1	SQUEEGEE BLADE
7	00442330	2	TUBE
8	00501580	3	SPRAY NOZZLE
9	00552250	1	VALVE
10	00552410	2	CLIP, HOSE
11	00552440	1	BRACKET, PIPE
12	00704720	1	HOSE, SOLUTION
13	00704730	1	BLAST PIPE
14	03500300	2	BRACKET, RETAINER
15	11126018	2	BOLT, M6 X 10 AHCS
16	11126166	2	SCREW, CYL HD, M6 X 16
17	11405040	2	SCREW, SELF TAPPING 4,8 X 19
18	12310033	2	WASHER, M6
***	99700900	1	COMPLETE WAND

**GROUP (730030) - OPTION SPRAY AND VAC WAND, INCLUDES SUB-GROUPS:
730021, 730022, 730023.**

OPTION - SPRAY AND VAC WAND HOSE GROUP (730021 PART 2)



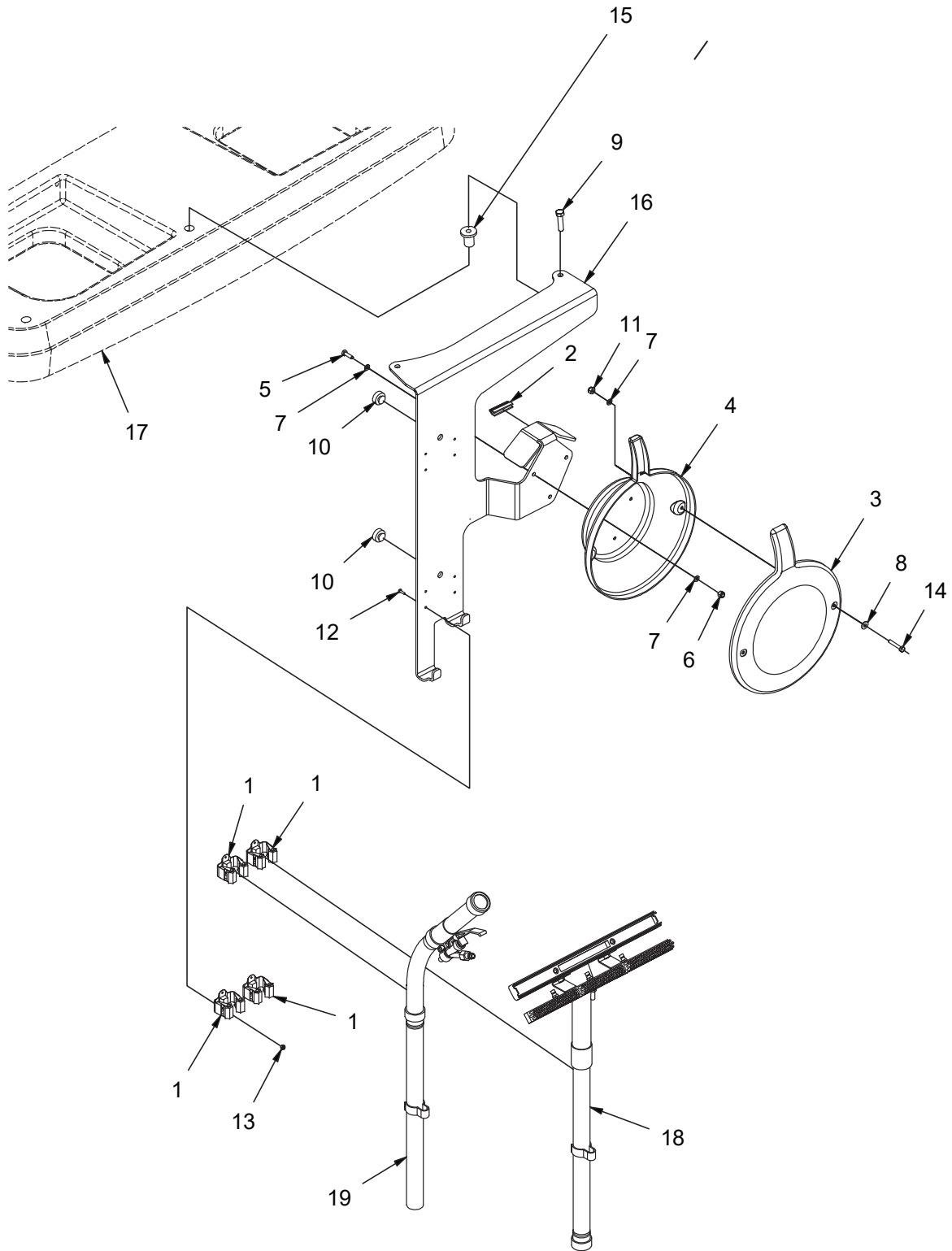
REV *

OPTION - SPRAY AND VAC WAND HOSE GROUP (730021 PART 2)

Parts List - 730021			
ITEM	PART NO.	QTY	DESCRIPTION
1	00010670	1	ASSEMBLY, VACUUM HOSE
2	00101280	1	HOSE CUFF, FEMALE
3	00552380	1	MALE QUICK DISCONNECT
4	00552400	1	FEMALE QUICK DISCONNECT
5	00782240	1	HOSE CUFF, MALE
6	01074690	1	ASSEMBLY, PRESSURE HOSE
7	17533100	2	CLAMP, HOSE
8	731098	1	ADAPTER, HOSE
***	99776600	1	COMPLETE KIT LESS 731098 ADAPTER

**GROUP (730030) - OPTION SPRAY AND VAC WAND, INCLUDES SUB-GROUPS:
730021, 730022, 730023.**

OPTION - SPRAY AND VAC WAND MOUNT GROUP (730022)



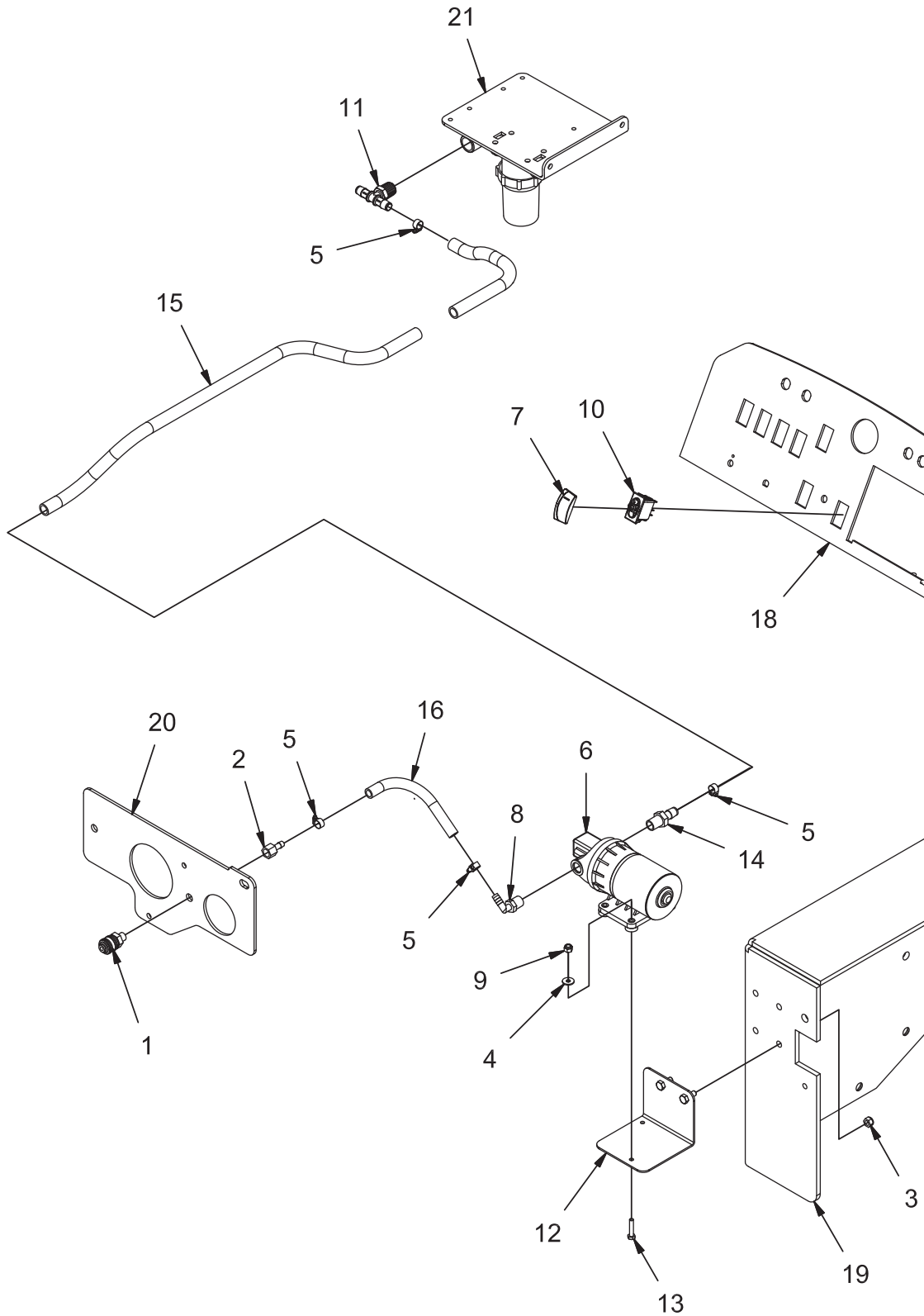
REV C

OPTION - SPRAY AND VAC WAND MOUNT GROUP (730022)

Parts List - 730022			
ITEM	PART NO.	QTY	DESCRIPTION
1	00560010	4	CLAMP
2	00800100	1	SEALING STRIP (EACH=METERS)
3	01090890	1	HOSE MOUNT, COVER
4	01090900	1	HOSE MOUNT, HALF SHELL
5	11038098	3	SCR-HH M6-1.0 X 20 ZP CLASS 8.8 DIN
6	12040044	3	NUT-NYLOC M6 X 1.0 ZP CLASS 6
7	12310033	8	WASHER-FLAT M6.4 X 12 X 1.6 ZP
8	03400089	2	WASHER-FLAT 1/4 ZP
9	03400455	2	SCR-HH 3/8-16 X 1.50 SS
10	600117	2	BUMPER, 1.0 OD, .50 GROMMET, RUBBER
11	600933	2	NUT-NYLOC M6-1.00 SS
12	710204	8	SCR-PHMS 6-32 X .50 ZP
13	711371	8	NUT-NYLOC 6-32 ZP
14	730508	2	SCR-HH M6-1.00 X 35 FULL THREAD SS
15	730991	2	NUT, RUBBER EXPANSION
16	731097	1	BRACKET, HOSE MOUNT
17	REFERENCE	1	DEMISTER
18	REFERENCE	1	LOWER VAC WAND ASSEMBLY
19	REFERENCE	1	UPPER VAC WAND ASSEMBLY

**GROUP (730030) - OPTION SPRAY AND VAC WAND, INCLUDES SUB-GROUPS:
730021, 730022, 730023.**

OPTION - SPRAY AND VAC WAND PUMP GROUP (730023)



REV B

OPTION - SPRAY AND VAC WAND PUMP GROUP (730023)

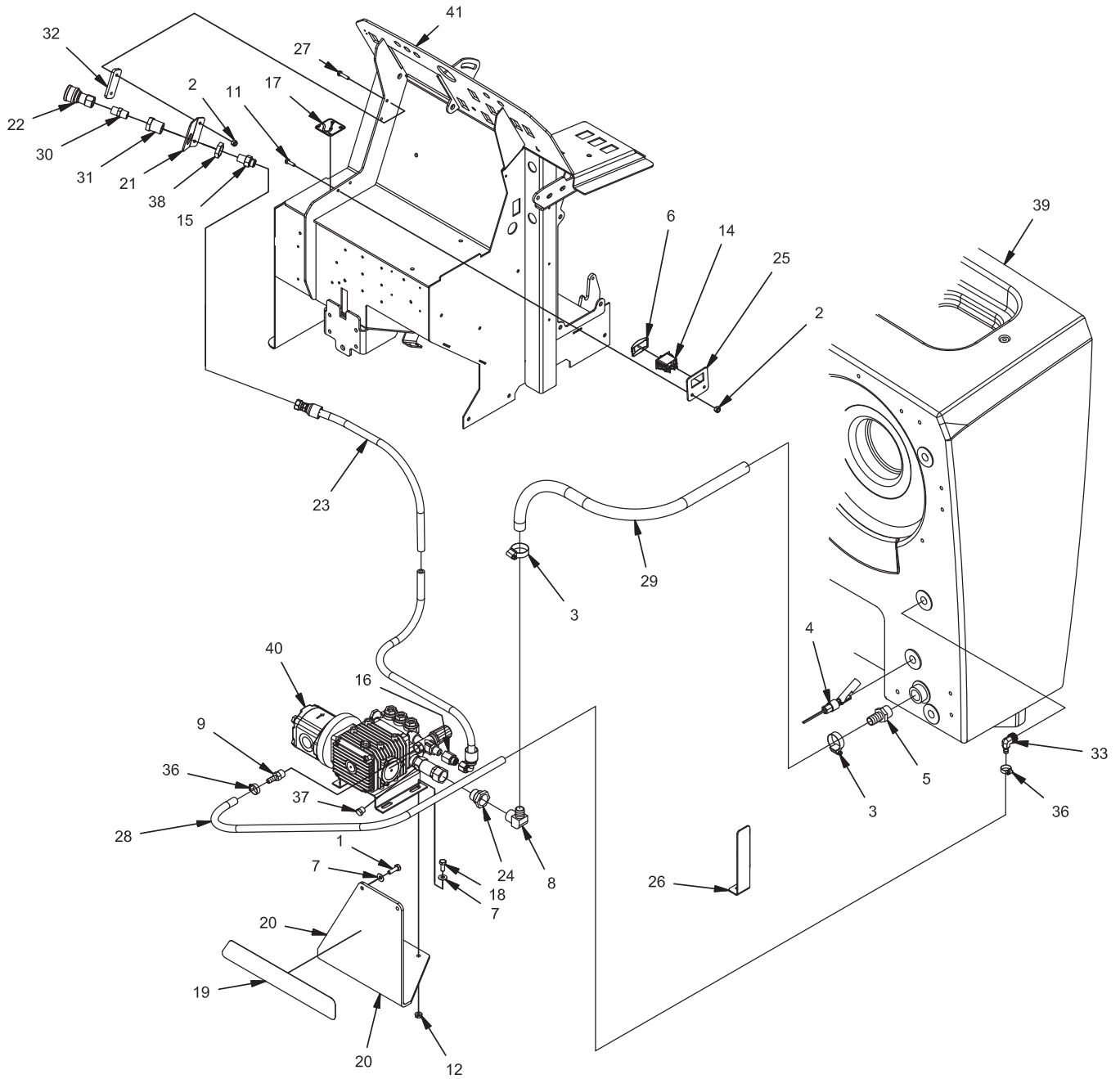
Parts List - 730023			
ITEM	PART NO.	QTY	DESCRIPTION
1	00552590	1	FEMALE QUICK DISCONNECT
2	00552600	1	FITTING, BARB
3	12040259	2	NUT, M8-1.25 ESN SS
4	12332011	2	WASHER, FENDER, M6
5	3302338	4	CLAMP, HOSE, .50
6	3331278	1	PUMP, SOLUTION
7	3344038	1	SWITCH COVER - BLACK, NO LENS
8	3400985	1	FITTING, PLASTIC, 90, .375 NPT .375 BARB
9	600933	2	NUT, M6-1.00 ESN SS
10	620137	1	SWITCH BODY, DPST W/GREEN LAMP
11	730969	1	FITTING, TEE, .50 NPT - .50 BARB, NYLON
12	731038	1	WELDMENT, PUMP MNT
13	731050	2	BOLT, M6-100 X 30 HH SS
14	731094	1	FITTING, STR, 1/2 BARB X 3/8 MALE NPT
15	731095	1	TUBING, .50 ID VINYL
16	731096	1	TUBING, .375 ID VINYL
17	748797	1	HARNESS, OAW PUMP OPT
18	REFERENCE	1	INSTRUMENT PANEL
19	REFERENCE	1	FRAME
20	REFERENCE	1	VALVE MOUNT PLATE
21	REFERENCE	1	FILTER MOUNT BRACKET

**GROUP (730030) - OPTION SPRAY AND VAC WAND, INCLUDES SUB-GROUPS:
730021, 730022, 730023.**

OPTION - SPRAY AND WASH GROUP (730040)

Parts List - 730040			
ITEM	PART NO.	QTY	DESCRIPTION
1	12332011	4	WASHER-FLAT M6.4 X 18 X 1.6 ZP
2	281426	1	COUPLING-3/4" HOSE X 1/2" MPT
3	320997	1	BALL VALVE, 1/2" FPT PVC/EPDM
4	3300535	6	CLAMP - SCREW .5" to 1.25" DIA 201SS
5	3303388	1	FTG-ADAPTER 3/4 MPT TO 3/4 HB
6	3315536	1	FTG-ELBOW 90 1/2 MPT X 3/4 HB PP
7	3320728	2	FTG-1/2 MPT - 3/4 HB
8	3323501	1	FILTER-B50 MESH INLINE
9	3332264	1	FILTER ELEMENT - SERVICE
10	3342273	1	COVER-SWITCH, CARLING, BLACK W/LENS
11	3400173	4	SCR-HH 1/4-20 X 1.75 ZP GR 5 PART THRD
12	3400291	2	SCR-HH M8-1.25 X 16 ZP CLASS 8.8
13	3400384	2	WASHER-CONICAL SPRING 5/16
14	3400385	3	WASHER-CONICAL SPRING 3/8
15	3401981	2	BLT-U 1/4-20 X3/4 ZP
16	383465	1	FTG-NIPPLE 1/2 MPT X 1-1/8 LG BRASS
17	620137	1	SWITCH BASE, ROCKER WITH GREEN LAMP
18	710985	3	SCR-BHSCS 3/8-16 X .625 ZP
19	712667	8	NUT-NYLOC 1/4-20 SS
20	715969	1	DECAL, WASH SYSTEM
21	715970	1	DECAL, WASH SWITCH
22	731043	1	FTG-QUICK DISCONNECT 1/2
23	731044	1	FTG- BULKHEAD 1/2 NPT
24	731048	1	FTG-QUICK DISCONNECT NIPPLE 1/2 FPT
25	731365-1	1	PUMP ASSY, SOLUTION
26	731367	1	BRACKET, PUMP MNT
27	731371	1	TUBING, .75 ID X 1.25' WIRE RE HOSE
28	731372	1	TUBING, .75 ID X 3.5' VINYL
29	731379	1	TUBING, .75 ID X 7' VINYL
30	731383	1	HOSE - COIL .38 X 50 FT
31	731384	1	NOZZLE - SPRAY
32	731460	1	BRACKET, CLAMP
33	731463	1	TUBING, 3/4 ID X 28.00 REINF. SILICON
34	731615	1	WELDMENT, HOSE CARRIER
35	PART OF 731044	1	NUT
36	REFERENCE	1	CONSOLE

OPTION - PRESSURE WASHER PUMP GROUP (730041-1)



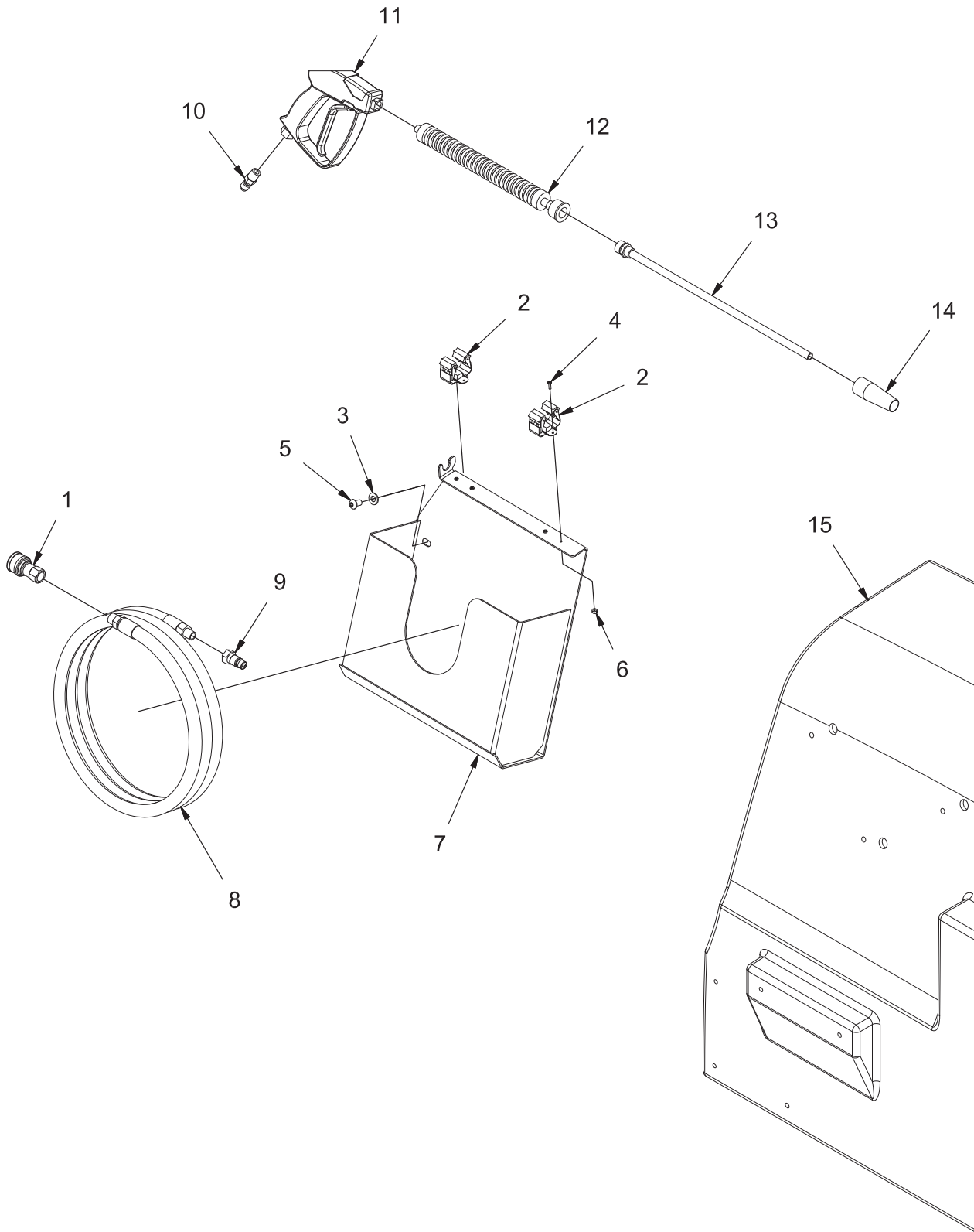
REV K

OPTION - PRESSURE WASHER PUMP GROUP (730041-1)

Parts List - 730041-1			
ITEM	PART NO.	QTY	DESCRIPTION
1	11039567	2	SCR-HH M8-1.25 X 25 SS
2	600933	4	NUT-NYLOC M6-1.00 SS
3	3302193	2	CLAMP - SCREW .69" to 1.5" DIA 201SS
4	3302737-1	1	WIRE ASSY, SWITCH-LEVEL LS7
5	3303388	1	FTG-ADAPTER 3/4 MPT TO 3/4 HB
6	3342273	1	COVER-SWITCH, CARLING, BLACK W/LENS
7	3400384	6	WASHER-CONICAL SPRING 5/16
8	3400959	1	FTG-ELBOW 90 3/4 MPT X 3/4 HB BRASS
9	342430	1	FTG-ADAPTER 3/8 MPT X 3/8 HB BRASS
10	3500118	1	EDGING-VINYL TRIM 1/8" X 250'
11	600913	2	SCR-HH M6-1.00 X 20 SS
12	600934	4	NUT-FLANGE WIZZ M8-1.25 ZP
14	620137	1	SWITCH BASE, ROCKER WITH GREEN LAMP
15	675634	1	FTG-ORFS STR THD -6 MPT -6 ORFS SS
16	675635	1	FTG-ORFS STR THD -6 -60 FPT
17	715970	1	DECAL, WASH SWITCH
18	717030	4	SCR-HH M8-1.25 X 20 SS
19	730967	1	PAD, STEP
20	731422	1	MOUNT, PRESSURE WASHER
21	731436	1	MOUNT, QUICK DISCONNECT
22	731441	1	FTG-QUICK DISCONNECT 3/8 FPT SS
23	731454	1	HOSE, 6 STR - 6 90 MED SS ENDS
24	731455	1	FTG-GARDEN ADAPTER 3/4 GH X 3/4 FPT BRAS
25	731459	1	BRACKET, SWITCH
26	731460	1	BRACKET, CLAMP
27	731555	2	SCR-HH M6-1.00 X 25 SS
28	731601	1	TUBING, .375" ID X 5.75 FT REINFORCED VI
29	731606	1	TUBING, .75" ID X 5.75 FT REINFORCED VIN
30	731618	1	FTG-HEX NIPPLE, 3/8 NPT, SS
31	731619	1	FTG-3/8 ANCHOR COUPLING W/NUT
32	731651	1	PLT, SPACER
33	731991	1	FTG-ELBOW 90 1/2 MPT X 3/8 HB BRASS
35	748735	1	HARNESS ASSY, PRESSURE WASHER
36	829129	2	CLAMP - SCREW .313" to .875" DIA 301SS
37	829619	1	PLUG-HEX HEAD PIPE 1/4 B
38	PART OF 731619	1	NUT
39	REFERENCE	1	TANK, SOLUTION
40	REFERENCE	1	PRESSURE WASHER
41	REFERENCE	1	CONSOLE

**ORDER 731486 CHECK VALVE REPLACEMENT KIT FOR 731421 PRESSURE WASHER ASSEMBLY

OPTION - PRESSURE WASHER HOSE AND WAND GROUP (730041-2)

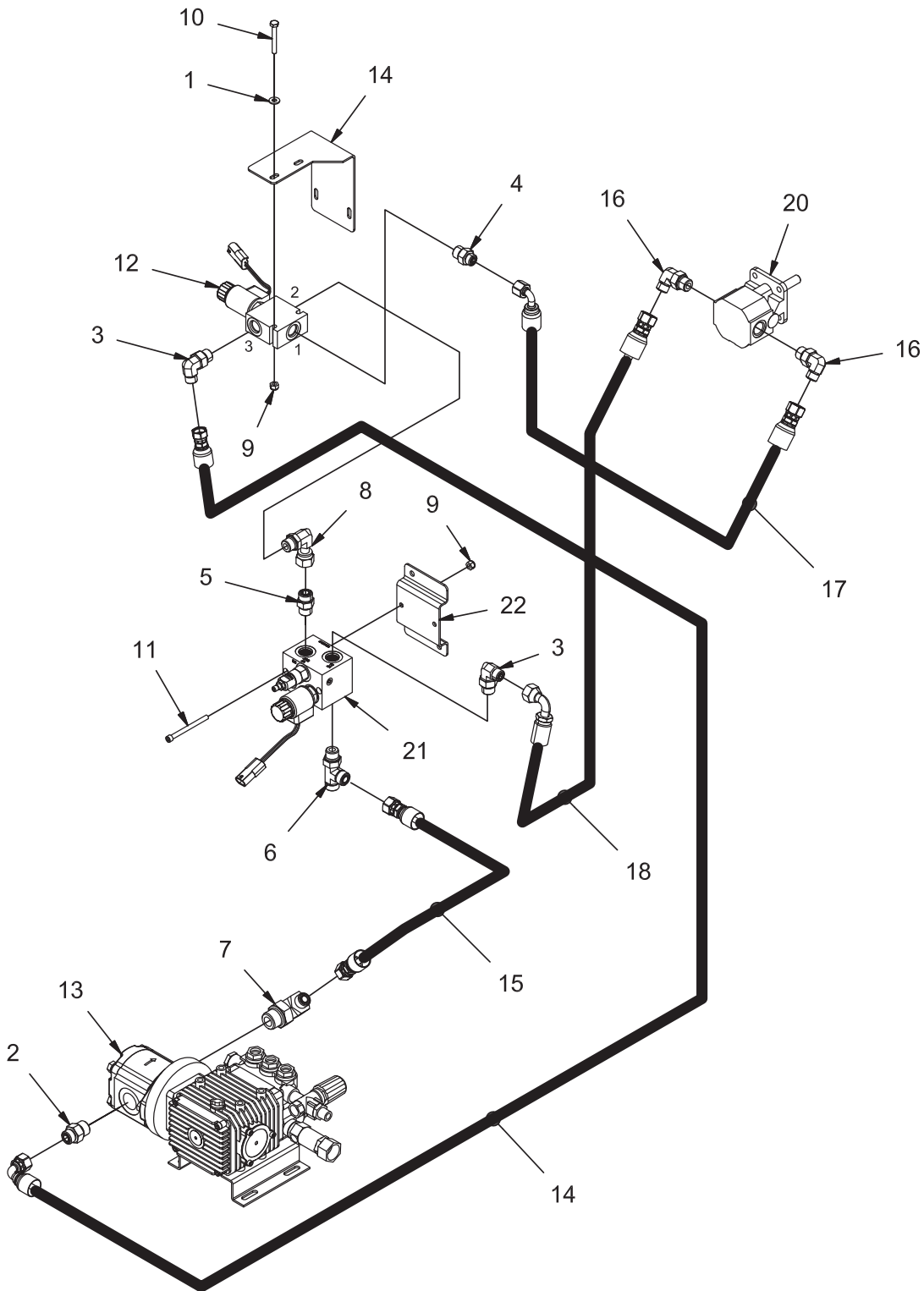


REV B

OPTION - PRESSURE WASHER HOSE AND WAND GROUP (730041-2)

Parts List - 730041-2			
ITEM	PART NO.	QTY	DESCRIPTION
1	731441	1	QUICK DISCONNECT, COUPLER (PART OF KIT 731457)
2	00560010	2	CLAMP
3	3400385	3	WASHER-CONICAL SPRING 3/8
4	710204	4	SCR-PHMS 6-32 X .50 ZP
5	710985	3	SCR-BHSCS 3/8-16 X .625 ZP
6	711371	4	NUT-NYLOC 6-32 ZP
7	731437	1	WELDMENT, HOSE BOX
8	731440	1	HOSE, PRESSURE WASHER 50 FT (PART OF KIT 731457)
9	731442	1	FTG-QUICK DISCONNECT NIPPLE 3/8 FPT
10	731443	1	QUICK DISCONNECT, PLUG, 6MPT
11	731444	1	TRIGGER GUN
12	731445	1	INSULATED LANCE
13	731446	1	LANCE
14	731447	1	TIP, ADJUSTABLE
15	REFERENCE	1	SOLUTION TANK

OPTION - PRESSURE WASHER HYDRAULIC HOSE GROUP (730041-3)

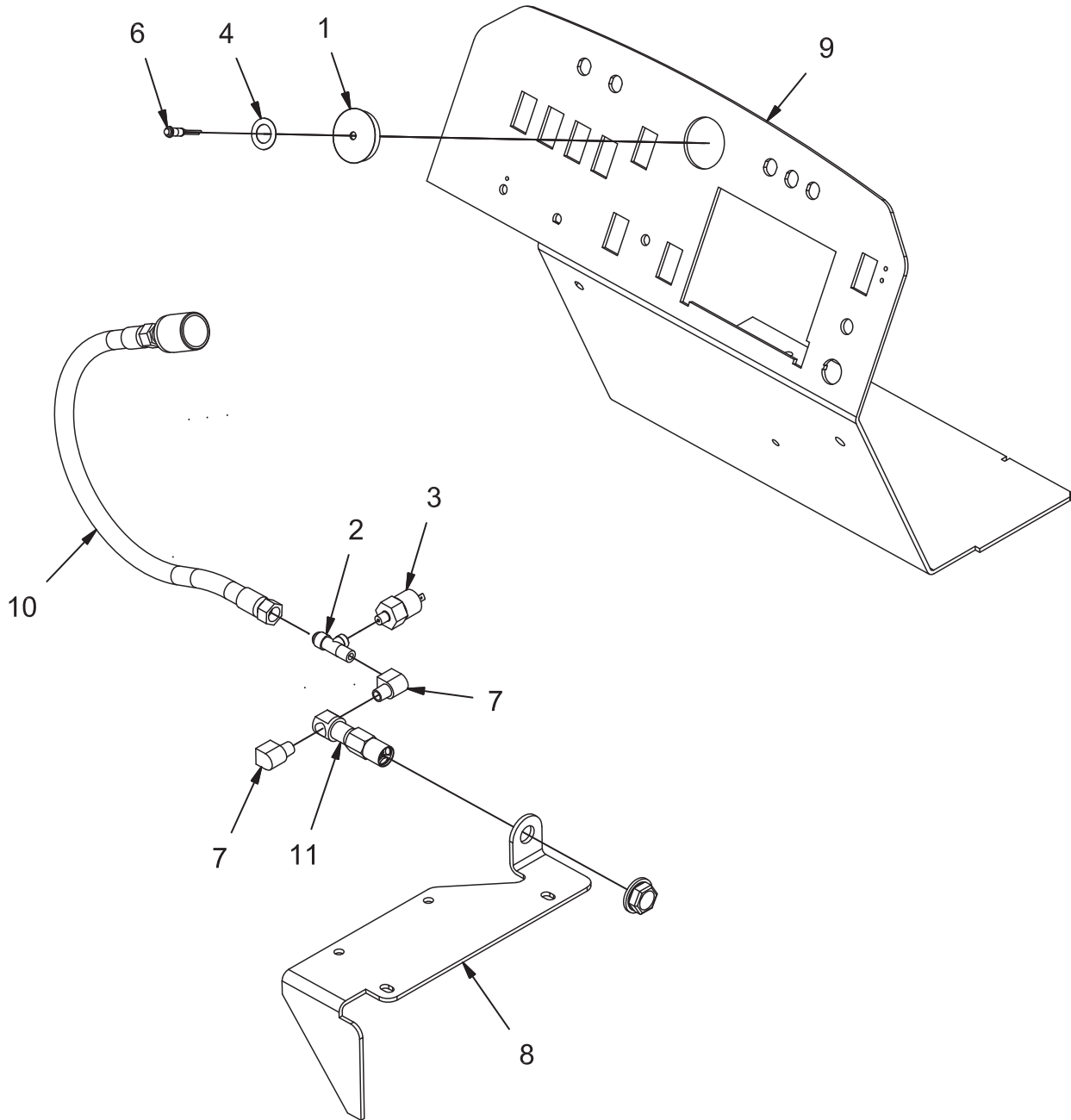


REV C

OPTION - PRESSURE WASHER HYDRAULIC HOSE GROUP (740031-3)

Parts List - 730041-3			
ITEM	PART NO.	QTY	DESCRIPTION
1	3400089	2	WASHER, 1/4 .625 X .281 X .063
2	3400689	1	FTG, STR THD CONNECTOR -8 ORFS TO -10 SAE
3	675520	1	FITTING, ELBOW, 6 ORFS - 8 O-RING
4	675521	1	FITTING, STR, -6 ORFS - 8 SAE
5	675524	1	FITTING, STR, -8 ORFS - 8 SAE
6	675525	1	FITTING, RUN TEE, -8 ORFS - 8 ORFS - 8 SAE
7	675537	1	FITTING, 90, -8 ORFS - 12 SAE
8	675628	1	FTG - STR THD SWIVEL ELBOW, -8 ORFS TO -8 SAE
9	711373	4	NUT, FIBER INSERT 1/4-20
10	712567	2	SCREW, 1/4-20 X 2.00 HH SS
11	730965	2	BOLT, 1/4-20 X 3.00 SOC HD CAP
12	731292	1	ASSEMBLY, SOLENOID VALVE 2-POS 3-WAY
13	731421	1	ASSEMBLY, PRESSURE WASHER (PART OF KIT 731457)
13A	731414	-	MOTOR, PRESSURE WASHER
13B	731421	-	PUMP, PRESSURE WASHER
13C	731413	-	MOTOR/PUMP, PRESSURE WASHER SUB ASSEMBLY
14	731431	1	BRACKET, SOLENOID MNT
15	731452	1	HOSE, 6 STR - 8 90 (SOL 3 TO PW PUMP IN)
16	731453	1	HOSE, 8 STR - 8 STR (PW PUMP OUT TO IMP SOL T)
17	REFERENCE	1	FITTING, -6 ORFS TO -8 SAE
18	REFERENCE	1	HOSE 731061-1 (IMP LEFT TO SOL 1)
19	REFERENCE	1	HOSE 731062-1 (IMP RIGHT TO IMP SOL VF IN)
20	REFERENCE	1	IIMPELLER MOTOR
21	REFERENCE	1	IMELLER MANIFOLD
22	REFERENCE	1	MANIFOLD BRACKET

OPTION - LOW LP INDICATOR GROUP (730042)

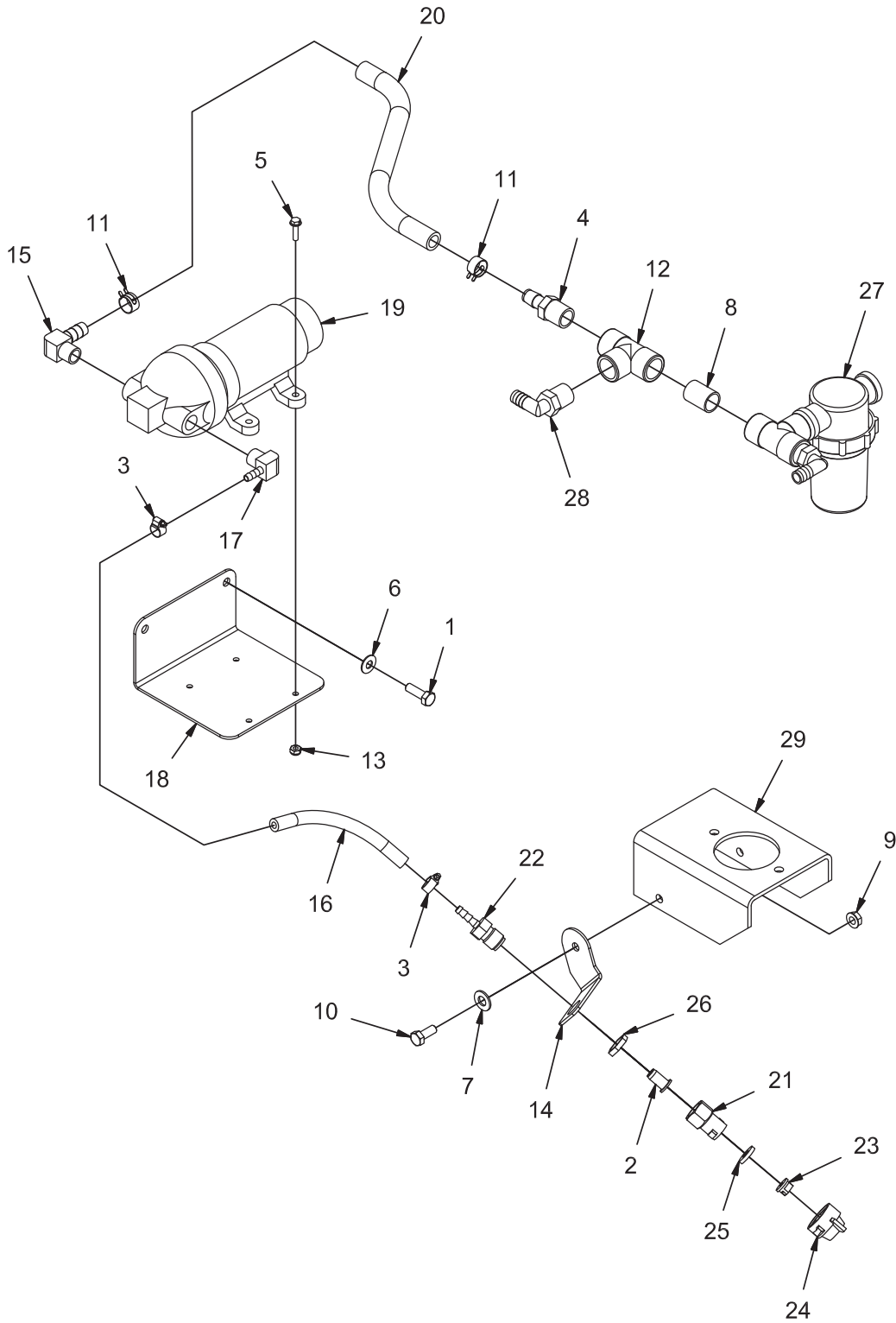


REV D

OPTION - LOW LP INDICATOR GROUP (730042)

Parts List - 730042			
ITEM	PART NO.	QTY	DESCRIPTION
1	3301822-1	1	PLUG, PLASTIC, 2.00 DIA WITH MTG HOLE
2	3305535-2	1	TEE, LOW LP INDICATOR
3	3305535-3	1	SENSOR, LOW LP INDICATOR
4	3305535-4	1	LABEL, LOW LP INDICATOR
5	748770	1	HARNESS ASSY, LOW LP INDICATOR
6	748960	1	LIGHT ASSY, INDICATOR LAMP, LOW LP
7	831306	2	FTG-ELBOW 90 ST 1/4 MPT X 1/4 FPT BRASS
8	REFERENCE	1	FRAME WITH PRESSURE RELIEF VALVE

OPTION - SIDE BROOM WATER MIST GROUP (730043)

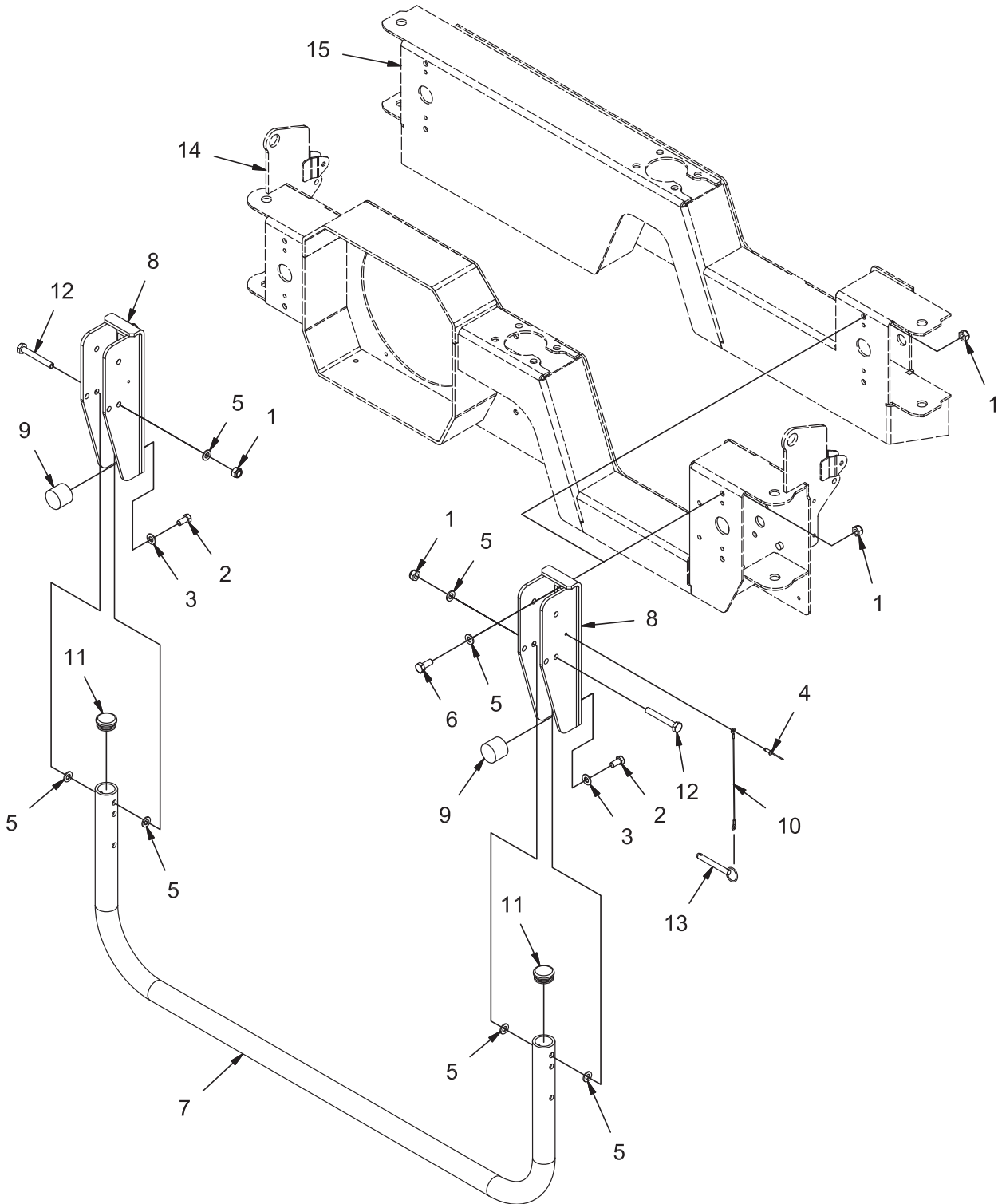


REV B

OPTION - SIDE BROOM WATER MIST GROUP (730043)

Parts List - 730043			
ITEM	PART NO.	QTY	DESCRIPTION
1	11039567	2	SCR-HH M8-1.25 X 25 SS
2	281041	1	VALVE-CHECK
3	3302338	2	CLAMP-HOSE .22 TO .62
4	3315534	1	FTG-ADAPTER 1/2 MPT X 1/2 HB PP
5	3400044	4	SCR-HH 10-32 X .75 ZP SERR FLANGE
6	3400384	2	WASHER-CONICAL SPRING 5/16
7	3400385	1	WASHER-CONICAL SPRING 3/8
8	383465	1	FTG-NIPPLE 1/2 MPT X 1-1/8 LG BRASS
9	600934	1	NUT-FLANGE WIZZ M8-1.25 ZP
10	717030	1	SCR-HH M8-1.25 X 20 SS
11	730962	2	CLAMP, WIRE HOSE
12	730966	1	FTG-TEE FEMALE 1/2 NPT X 1/2 X 1/2 PVC
13	731242	4	NUT-NYLOC 10-32 18-8 SS
14	731538	1	MOUNT, NOZZLE
15	731558	1	FTG, ELBOW, 3/8 NPT TO 1/2 BARB, BRASS
16	770669	1	TUBING, .25 ID, 16"
17	731603	1	FTG, ELBOW, 3/8 NPT TO 1/4 BARB, BRASS
18	770648	1	BRACKET, PUMP MNT
19	770653	1	PUMP, SOLUTION, 2 GPM, 12 VDC
20	770662	1	TUBING, 1/2 ID REINFORCED VINYL
21	770666	1	ADAPTER, SPRAY
22	770667	1	FITTING, SPECIAL
23	770668	1	SPRAY TIP - 11001
24	833141	1	CAP
25	833142	1	GASKET-CAP
26	PART OF 770667	1	NUT
27	REFERENCE	1	EXISTING COMPONENTS
28	REFERENCE	1	EXISTING COMPONENTS
29	REFERENCE	1	FRAME

OPTION - REAR SQUEEGEE GUARD (730048)

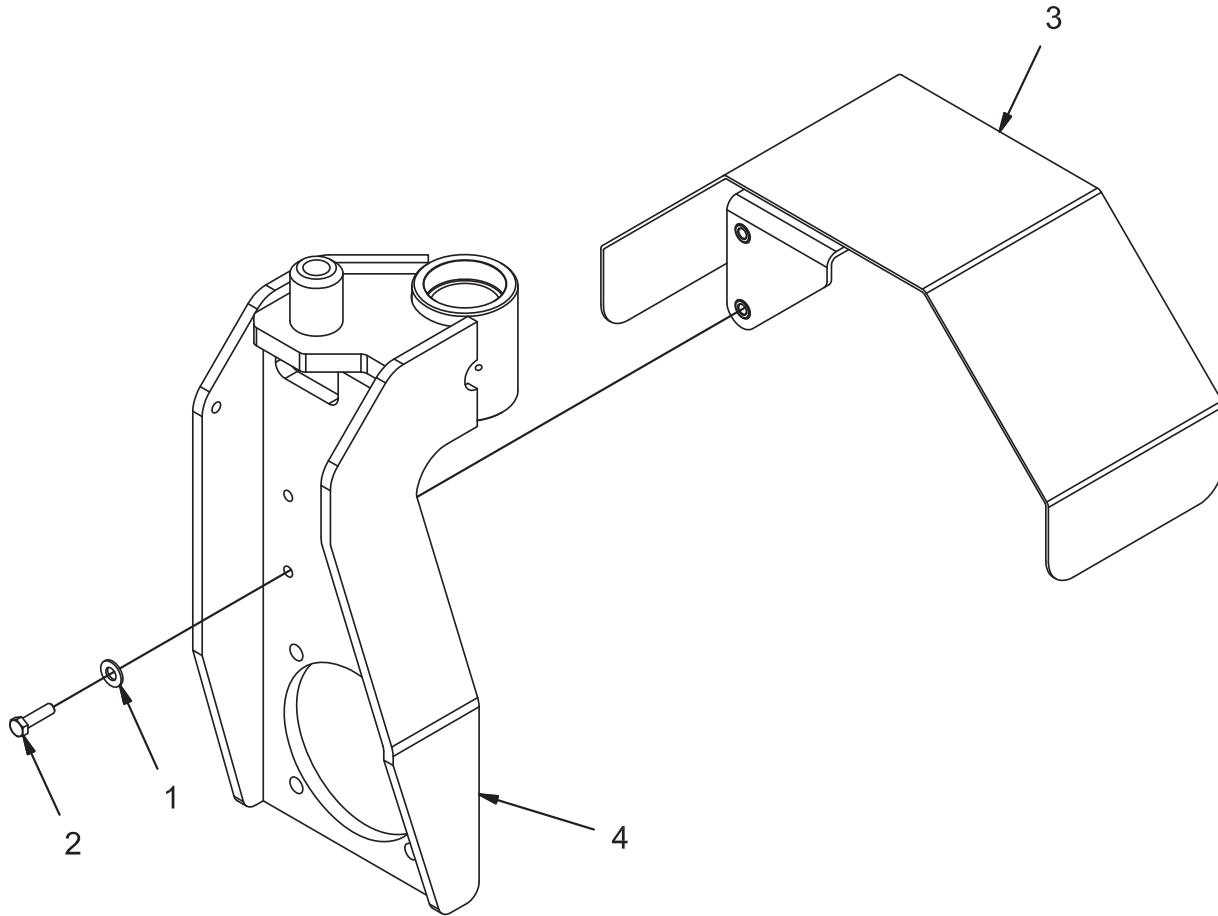


REV A

OPTION - REAR SQUEEGEE GUARD (730048)

Parts List - 730048			
ITEM	PART NO.	QTY	DESCRIPTION
1	12040069	6	NUT-NYLOC M10 X 1.5 ZD CLASS 6
2	3400335	2	SCR-HH 3/8-16 X .75 SS
3	3400385	2	WASHER, 3/8, BELLEVILLE
4	3400484	1	RIVET, MULTI-GRIP
5	730344	10	WASHER, M10 SS
6	730958	4	BOLT, M10-1.50 X 25 HH SS
7	731488	1	TUBE, GUARD
8	731491	2	WELDMENT, GUARD MOUNT
9	731492	2	BUMPER, URETHANE
10	731501	1	LANYARD
11	731502	2	PLUG, HOLE, 1.25
12	731462	2	SCR-HH, M10-1.50 X .75 HH P CLASS 8.8
13	731493	1	PIN, CLEVIS, .375, BALL DETENT
14	REFERENCE	1	REAR BUMPER - HAND DUMP
15	REFERENCE	1	REAR BUMPER - HIGH DUMP

OPTION - FRONT WHEEL FENDER (730052)

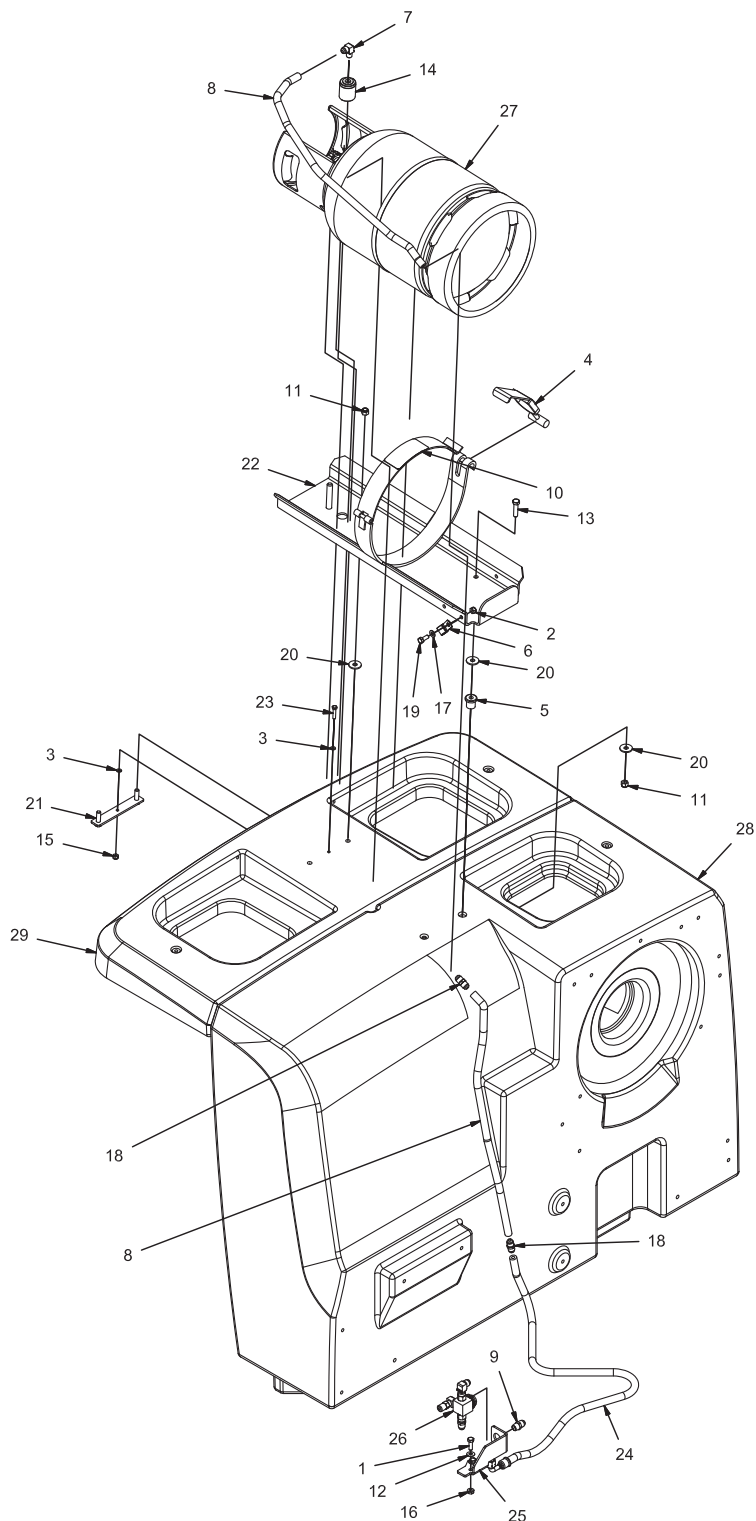


REV A

OPTION - FRONT WHEEL FENDER (730052)

Parts List - 730052			
ITEM	PART NO.	QTY	DESCRIPTION
1	3400385	2	WASHER-CONICAL SPRING 3/8
2	730506	2	SCR-HH M8-1.25 X 30 SS
3	731301-1	1	ASSEMBLY, FENDER
4	REFERENCE	1	STEERING FORK

OPTION - RESERVE LPG TANK GROUP (730160)

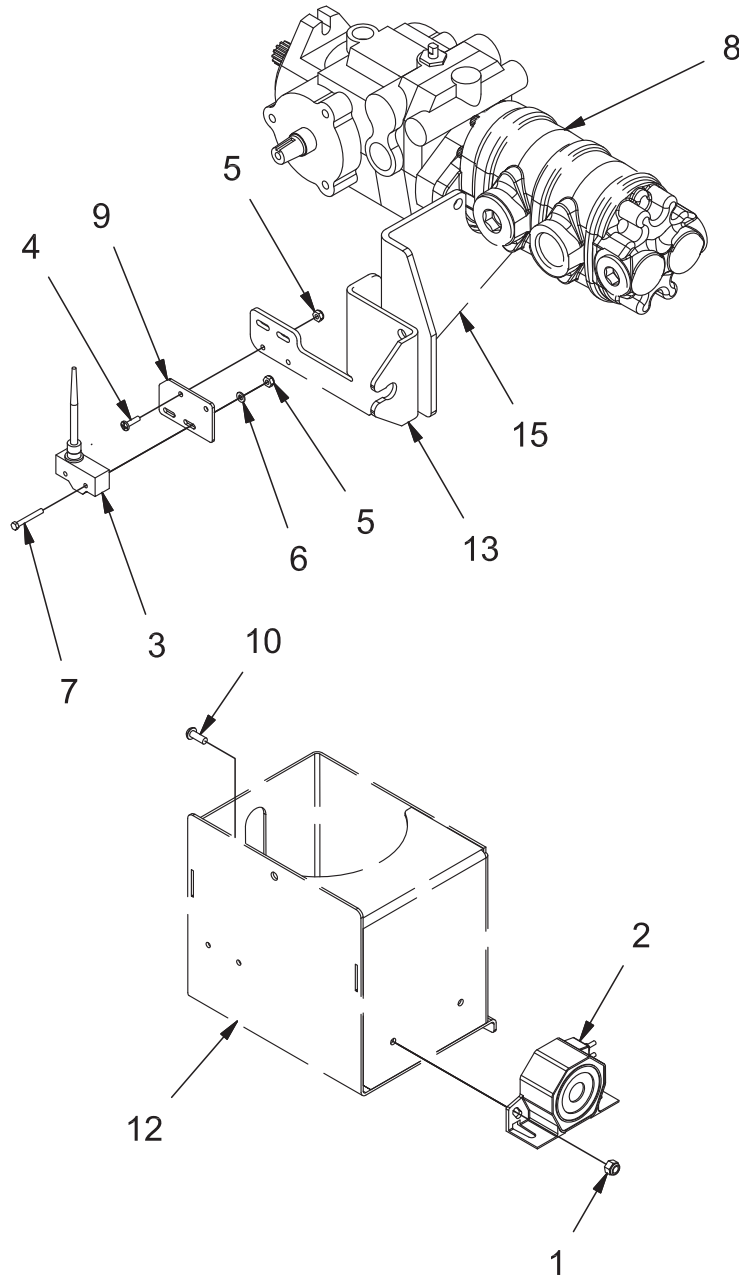


REV A

OPTION - RESERVE LPG TANK GROUP (730160)

Parts List - 730160			
ITEM	PART NO.	QTY	DESCRIPTION
1	11038247	2	SCR-HH M8-1.25 X 25 ZP CLASS 8.8
2	12040051	1	NUT-NYLOC M8 X 1.25 ZP CLASS 8
3	12310256	2	WSR-FLT 6.4X12X1.6, SS DIN125
4	220131	1	BUCKLE
5	3300465	2	ISOLATOR-RUBBER (.375ID X .81OD)
6	3301158	1	CLAMP - WIRE & TUBE .687 DIA STEEL
7	3334037	1	FTG-MALE ELBOW 49 X 6
8	3335375	2	HOSE - 5/16 LP 28.5 SAE 45 ST#6 ST#6
9	3342097	1	3/8 MALE SAE FLARE X 1/4 NPT
10	3342971	1	DECAL-WARNING LP (EXPLOSIVE FUEL)
11	3400340	4	NUT-NYLOC 3/8-16 SS
12	3400384	2	WASHER-CONICAL SPRING 5/16
13	3400455	2	SCR-HH 3/8-16 X 1.50 SS
14	3400860	1	FTG-LP TANK CONNECT
15	600933	1	NUT-NYLOC M6-1.00 SS
16	600934	2	NUT-FLANGE WIZZ M8-1.25 ZP
17	600941	1	WASHER-FLAT 5/16 X .688 ZP
18	675744	2	FTG-UNION, FLARE TO FLARE 3/8 TUBE
19	717024	1	SCR-HH M8-1.25 X 20 ZP GRADE 8.8
20	717040	6	WASHER-FLAT M10.5 X 30 X 2.5 SS
21	730993	1	WELDMENT, BOLT PLT
22	731010	1	WELDMENT, LPG RACK
23	731050	1	SCR-HH M6-1.00 X 30 SS
24	731186	1	HOSE, LPG, 6 SAE STR - 6 SAE 90
25	731966	1	BRKT, DUAL TANK CHECK VALVE SUPPORT
26	731967	1	ASSY, DUAL TANK CHECK VALVE
27	REFERENCE	1	LPG TANK
28	REFERENCE	1	SOLUTION TANK
29	REFERENCE	1	DEMISTER

OPTION - BACKUP ALARM GROUP - CM, RESERVE LPG IN (730169)

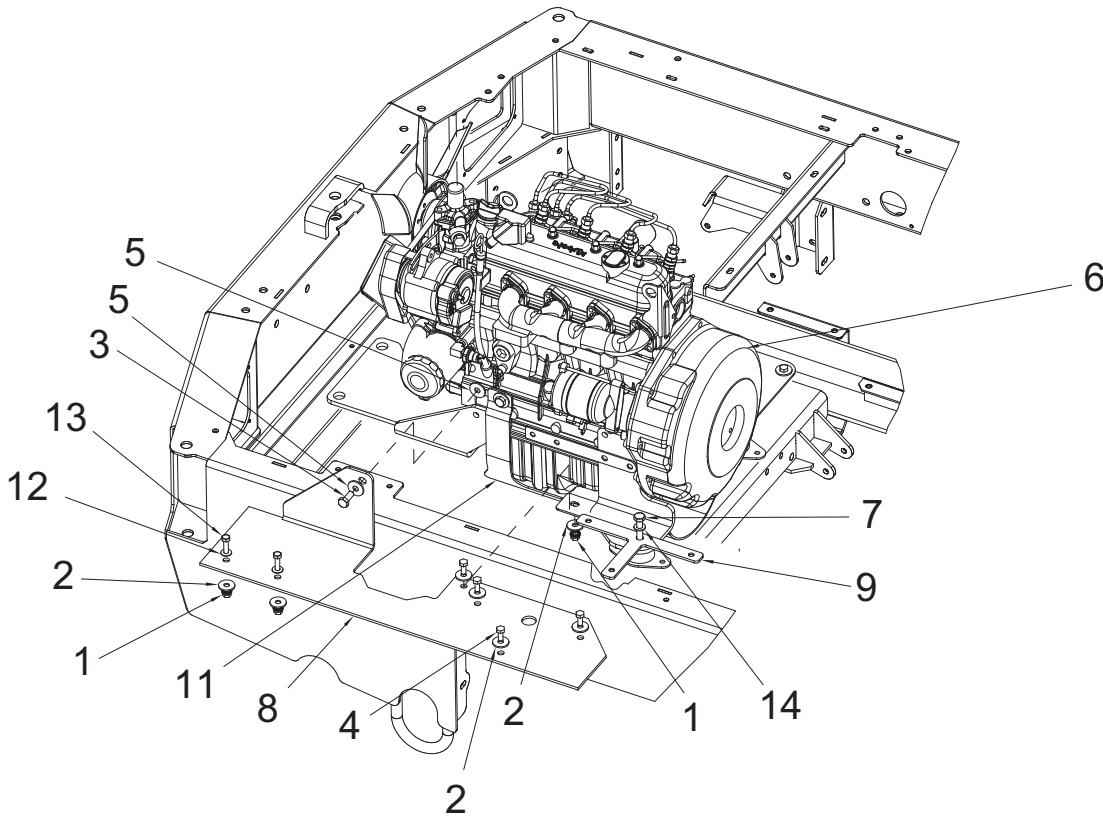


REV A

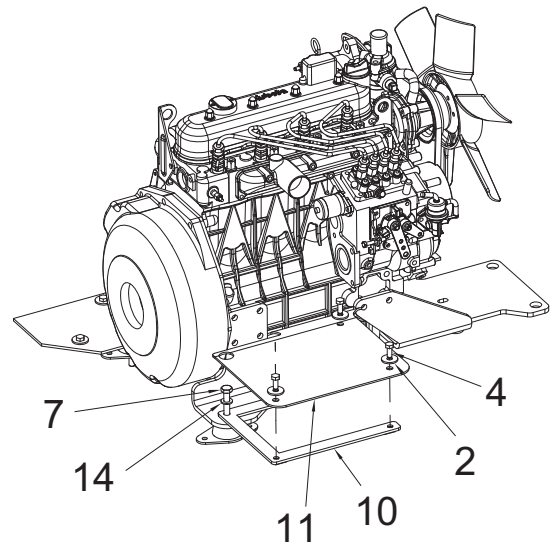
OPTION - BACKUP ALARM GROUP - CM, RESERVE LPG IN (730169)

Parts List - 730169			
ITEM	PART NO.	QTY	DESCRIPTION
1	12040044	2	NUT, M6-1.00 ESN
2	3303002	1	ALARM, BACKUP
3	3342546-1	1	HARNESS, SWITCH, WHISKER
4	3400045	2	SCREW, #8-32 X .625 PAN HD ZP
5	3400082	4	NUT, FIBER INSERT #8-32
6	3400096	2	FLATWASHER, #8
7	620136	2	BOLT, #8-32 X 1.25 HH ZP
8	770671	1	PUMP, AUX
9	731002	1	MOUNT, REVERSE SWITCH
10	731116	2	SCREW, M6-1.00 X 16 BUTTON HD CAP ZP
11	748980	1	HARNESS, SAFETY LT & BACKUP ALARM
12	REFERENCE	1	CHEMICAL PUMP MNT
13	REFERENCE	1	ADJUSTOR, HYDROBACK W/SW MNT
14	REFERENCE	1	PUMP ASSEMBLY
15	REFERENCE	1	HYDROBACK MOUNT

OPTION - DUST SUPPRESSION (731482)



LH SIDE VIEW



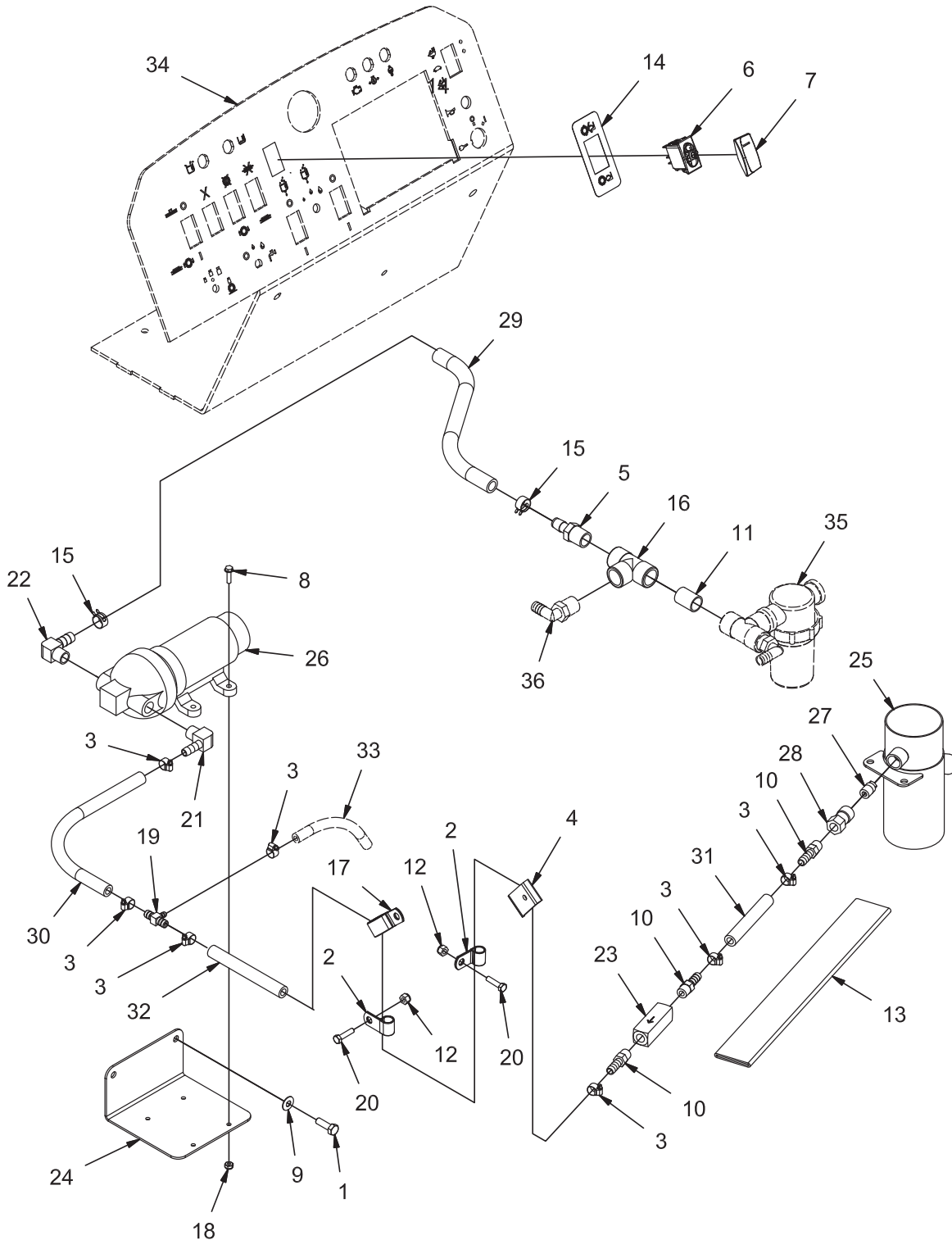
RH SIDE VIEW

REV B

OPTION - DUST SUPRESSION (731482)

Parts List - 731482			
ITEM	PART NO.	QTY	DESCRIPTION
1	600934	3	NUT-FLANGE WIZZ M8-1.25 ZP
2	600940	10	WASHER-FENDER M8 X 24 ZP
3	620082	2	SCR-HH M10-1.25 X 25 ZP CLASS 8.8
4	717024	7	SCR-HH M8-1.25 X 20 ZP GRADE 8.8
5	717040	4	WASHER-FLAT M10.5 X 30 X 2.5 SS
6	REFERENCE	1	ENGINE
7	731462	2	SCR-HH M10-1.50 X 75 PARTIAL THRD 8.8 ZP
8	731474	1	FLAP, DUST SUPRESSION, LH
9	731477	1	MOUNT, DUST SUPPRESSION, LH
10	731480	1	MOUNT, DUST SUPRESSION, RH
11	731862	1	FLAP, DUST SUPRESSION, RH & OIL PAN
12	3400384	2	WASHER-CONICAL SPRING 5/16
13	11038254	2	SCR-HH M8-1.25 X 30 ZP CLASS 8.8
14	12310058	2	WASHER-FLAT M10.5 X 20 X 2 ZP

OPTION - DRY SWEEP (770002)
PUMP SUB GROUP (770002-1)

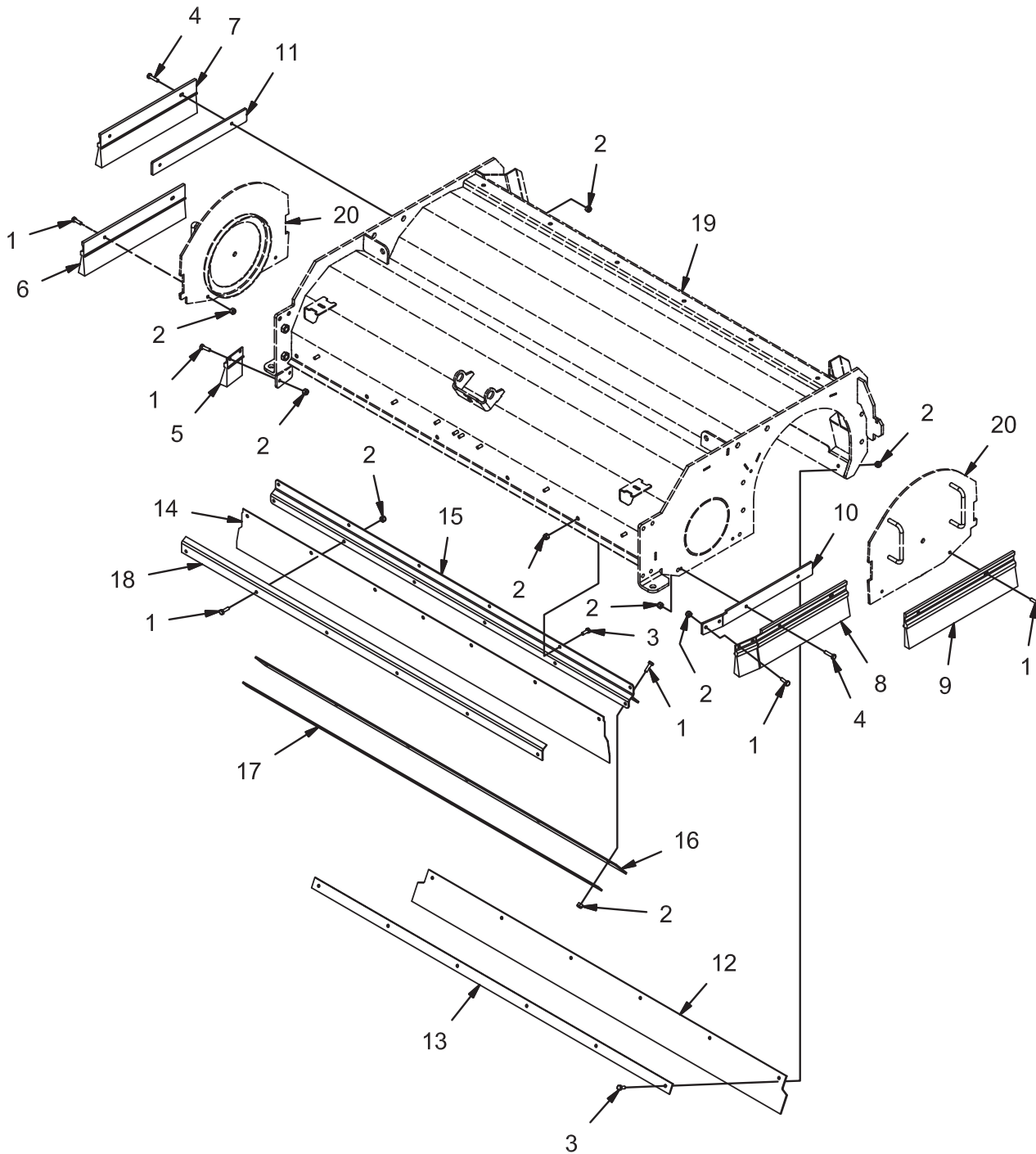


REV F

PUMP SUB GROUP (770002-1)

Parts List - 770002-1			
ITEM	PART NO.	QTY	DESCRIPTION
1	11039567	2	SCR-HH M8-1.25 X 25 SS
2	3302338	7	CLAMP - SCREW .25" to .625" DIA 301SS
3	3302340	1	CLIP-HYD HOSE CASE DRAIN PLTD
4	3315534	1	FTG-ADAPTER 1/2 MPT X 1/2 HB PP
5	3332713	1	SWITCH-DOUBLE SCRUB BROOM
6	3342273	1	COVER-SWITCH, CARLING, BLACK W/LENS
7	3400044	4	SCR-HH 10-32 X .75 ZP SERR FLANGE
8	3400384	2	WASHER-CONICAL SPRING 5/16
9	342435	3	FTG-ADAPTER 1/4 MPT X 3/8 HB BRASS
10	383465	1	FTG-NIPPLE 1/2 MPT X 1-1/8 LG BRASS
11	600933	2	NUT-NYLOC M6-1.00 SS
12	690450	1	SLEEVE, AS-B-17 X 6.0"
13	713527	2	CLAMP - WIRE & TUBE .500 DIA STEEL
14	715979	1	DECAL, INST PANEL, DS
15	730962	2	CLAMP - UNICLAMP .650 DIA MAGNI 565
16	730966	1	FTG-TEE FEMALE 1/2 NPT X 1/2 X 1/2 PVC
17	731146	1	CLAMP - WIRE & TUBE .875/.406 DIA STEEL
18	731242	4	NUT-NYLOC 10-32 18-8 SS
19	731381	1	UNION TEE, 3/8 TO 1/2 BRASS
20	731555	2	SCR-HH M6-1.00 X 25 SS
21	731556	1	FTG-ELBOW 90 3/8 MPT X 3/8 HB BRASS
22	731558	1	FTG-ELBOW 90 3/8 MPT X 1/2 HB BRASS
23	731584	1	CHECK VALVE, BRASS
24	770648	1	BRACKET, PUMP MNT
25	770649	1	WELDMENT, HD SQU TUBE - DC
26	770653-1	1	PUMP ASSY, SOLUTION
27	770654	1	NOZZLE, 120 DEGREE
28	770661	1	SOCKET, SPRAY NOZZLE
29	770662	1	TUBING, 1/2 ID REINFORCED VINYL
30	770663	1	TUBING, 3/8 ID REINFORCED VINYL
31	770665	1	TUBING, 3/8 ID REINFORCED VINYL
32	770670	1	TUBING, 3/8 ID REINFORCED VINYL
33	REFERENCE	1	TUBING, .25 ID (TO SPRAY NOZZLE)
34	REFERENCE	1	CONSOLE
35	REFERENCE	1	EXISTING COMPONENTS
36	REFERENCE	1	FITTING, PLASTIC, 90, .50 NPT .50 BARB

SKIRT SUB GROUP (770002-2)

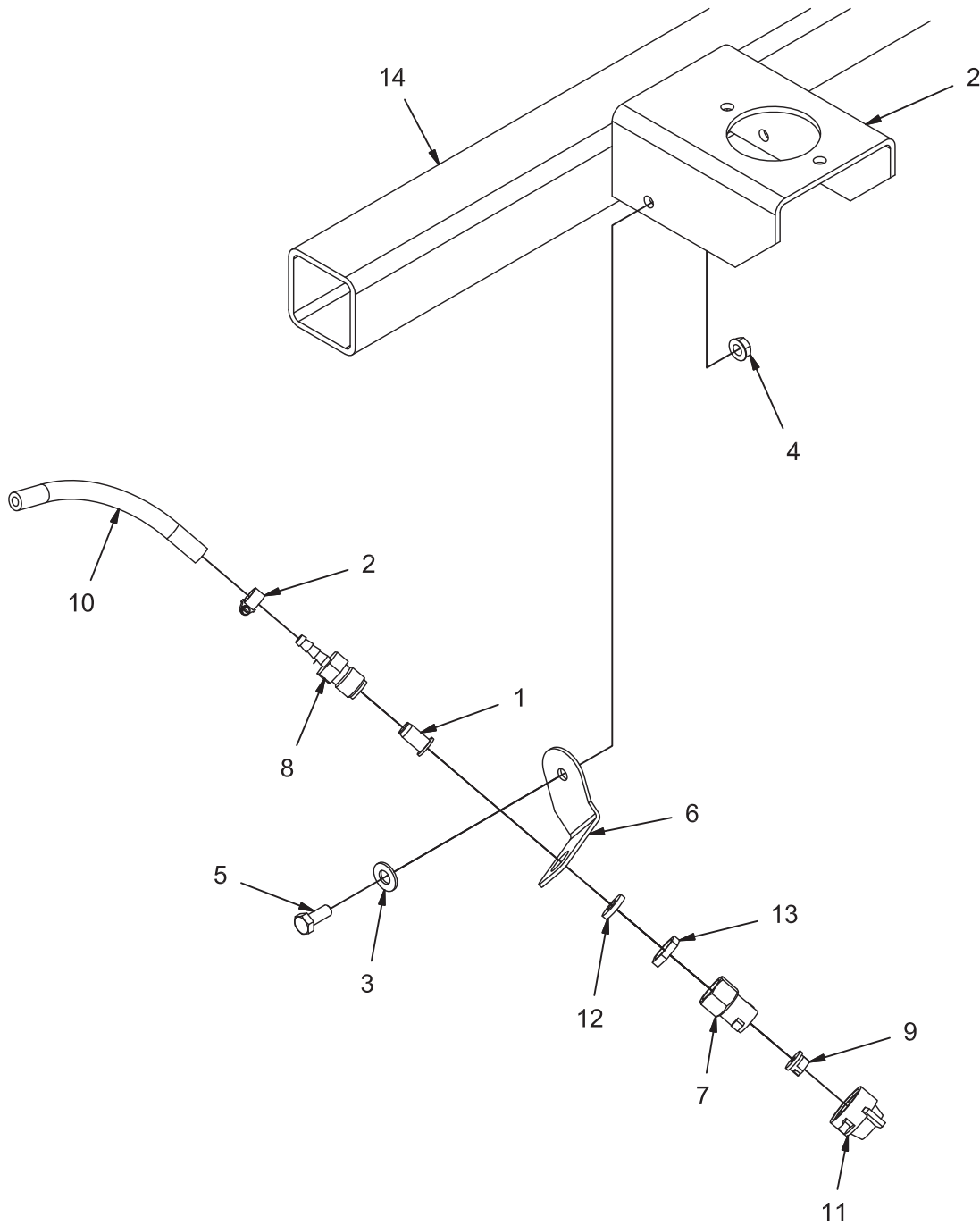


REV A

SKIRT SUB GROUP (770002-2)

Parts List - 770002-2			
ITEM	PART NO.	QTY	DESCRIPTION
1	600913	20	SCR-HH M6-1.00 X 20 SS
2	600933	36	NUT-NYLOC M6-1.00 SS
3	730934	12	SCR-HH M6-1.00 X 16 SS FULL THREAD
4	731555	4	SCR-HH M6-1.00 X 25 SS
5	770606	1	SKIRT, DC, RH TIP
6	770607	1	SKIRT, DC, RH FRONT
7	770608	1	SKIRT, DC, RH REAR
8	770609	1	SKIRT, DC, LH FRONT
9	770610	1	SKIRT, DC, LH REAR
10	770611	1	BAR, SPACER, LH FRONT
11	770612	1	BAR, SPACER, RH REAR
12	770614	1	SKIRT, DC, REAR
13	770615	1	STRAP, REAR SKIRT RETAINER
14	770656	1	SKIRT, DC, FRONT
15	770657	1	WELDMENT, FRONT SKIRT MNT
16	770659	1	SKIRT, FRONT RECERC
17	770660	1	STRAP, RETAINER
18	770664	1	ANGLE, RETAINER
19	REFERENCE	1	SCRUB HEAD
20	REFERENCE	1	BRUSH RETAINER

WATER MIST SUB GROUP (770002-4)



REV A

WATER MIST SUB GROUP (770002-4)

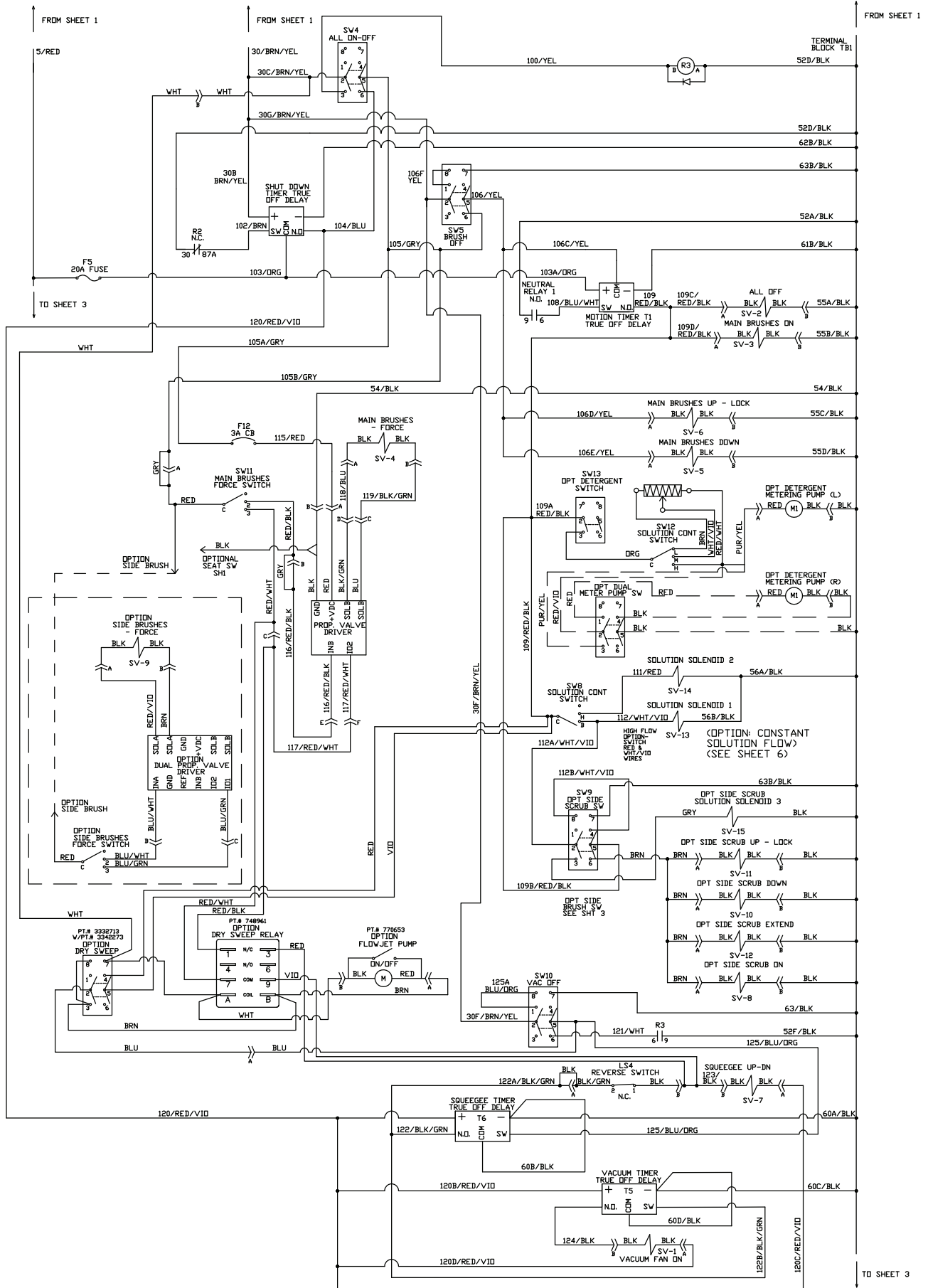
Parts List - 770002-4			
ITEM	PART NO.	QTY	DESCRIPTION
1	281041	1	VALVE-CHECK
2	3302338	1	CLAMP-HOSE .22 TO .62
3	3400385	1	WASHER-CONICAL SPRING 3/8
4	600934	1	NUT-FLANGE WIZZ M8-1.25 ZP
5	717030	1	SCR-HH M8-1.25 X 20 SS
6	731538	1	MOUNT, NOZZLE
7	770666	1	ADAPTER, SPRAY
8	770667	1	FITTING, SPECIAL
9	770668	1	SPRAY TIP - 11001
10	770669	1	TUBING, .25 ID, 16"
11	833141	1	CAP
12	833142	1	GASKET-CAP
13	PART OF 770667	1	NUT, 11/16-16
14	REFERENCE	1	FRAME

MISCELLANEOUS ADDITIONAL OPTIONS

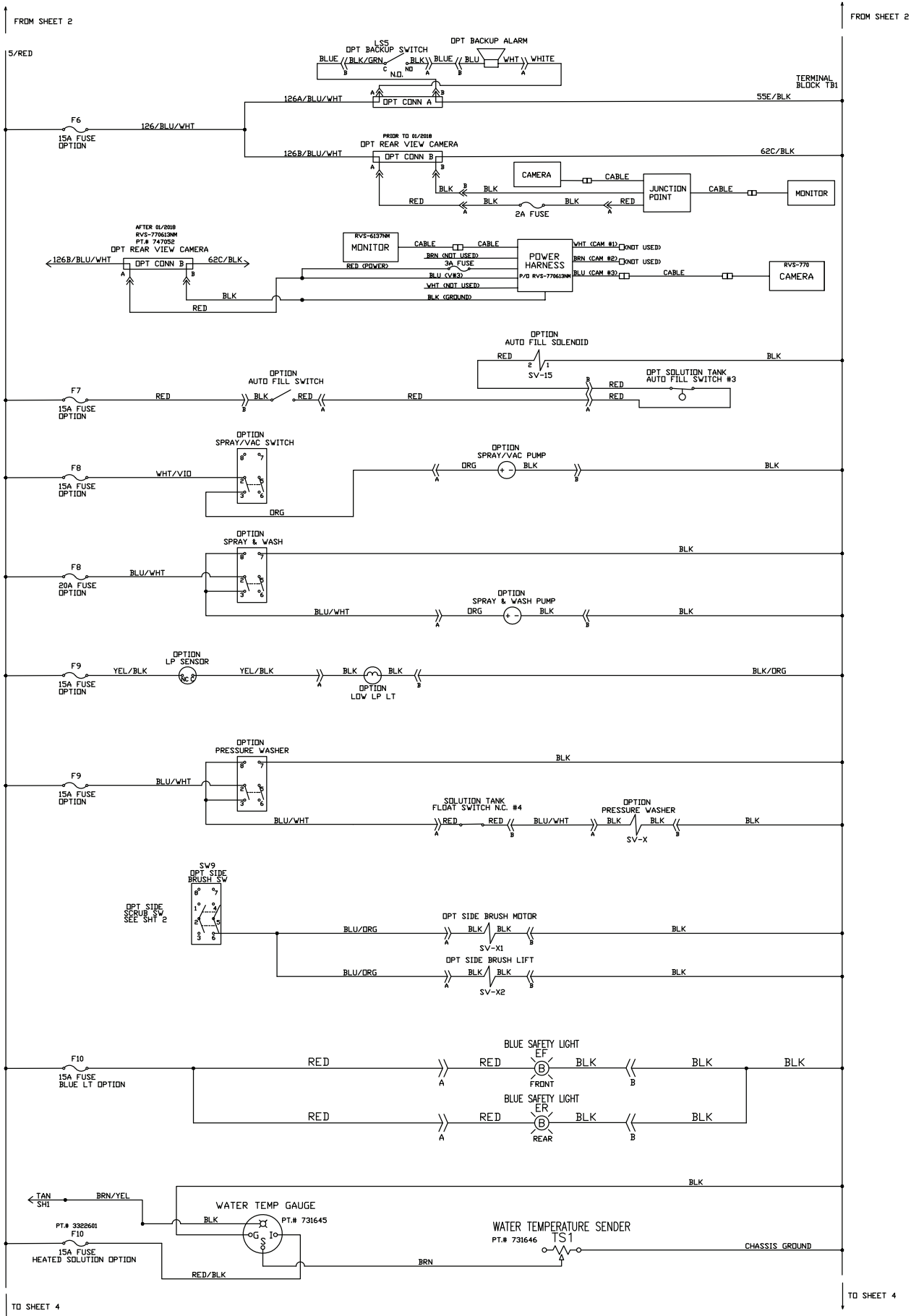
730019	OPT - SOFTSIDE CAB (REPLACEMENT SNAPS 3400412)
730044	OPT - SIPED TIRES
730045	OPT - PARKING BRAKE
730046	OPT - LH SIDE MIRROR
731467	OPT - NOISE REDUCTION

THIS PAGE INTENTIONALLY LEFT BLANK

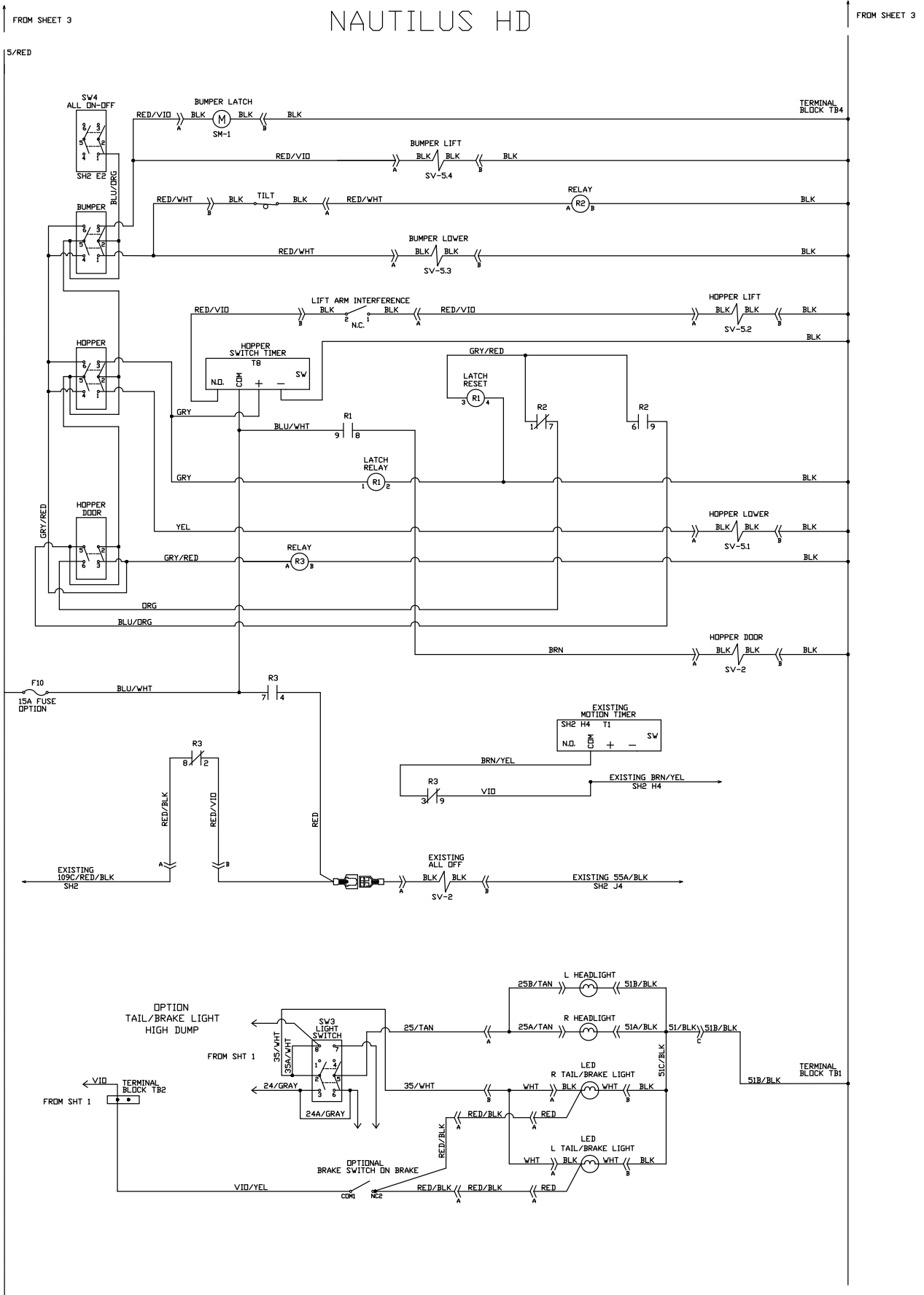
ELECTRICAL SCHEMATIC LAYOUT



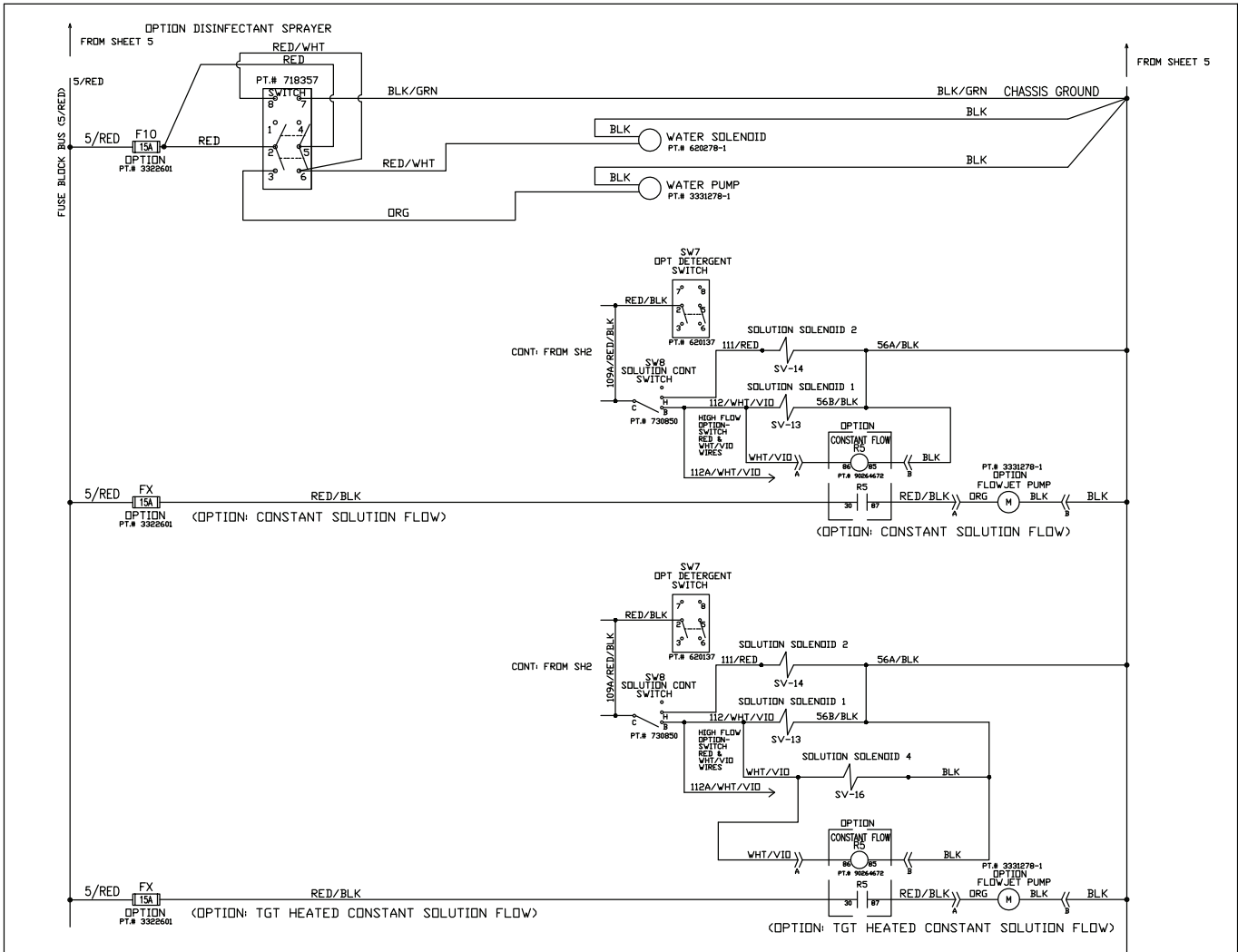
ELECTRICAL SCHEMATIC LAYOUT



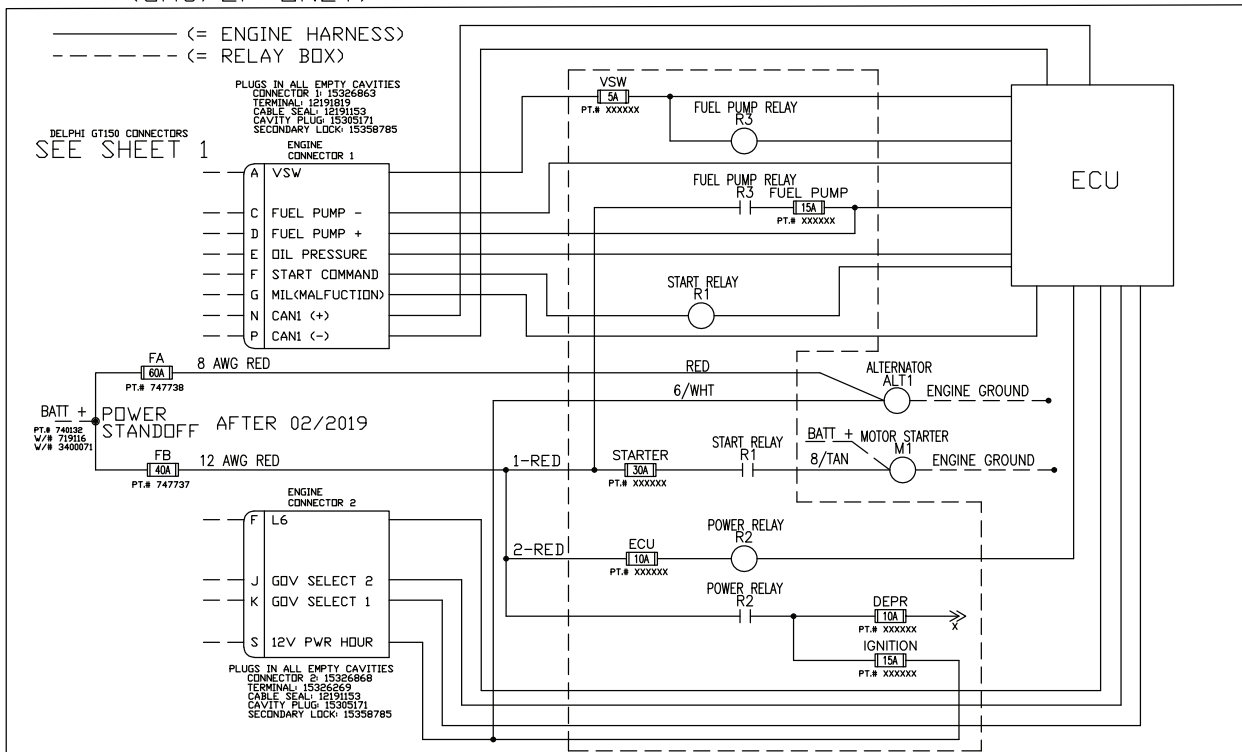
ELECTRICAL SCHEMATIC LAYOUT



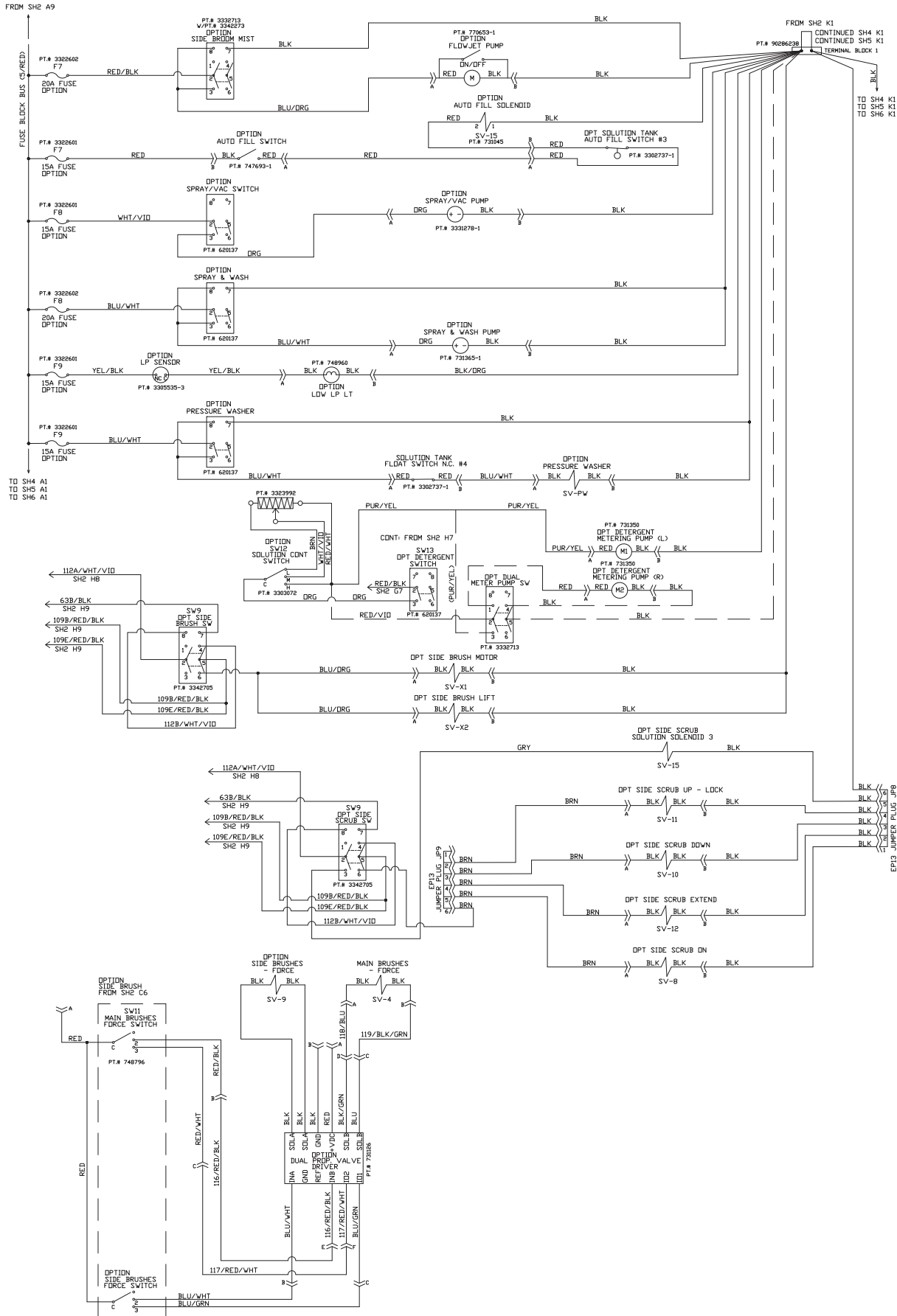
ELECTRICAL SCHEMATIC LAYOUT



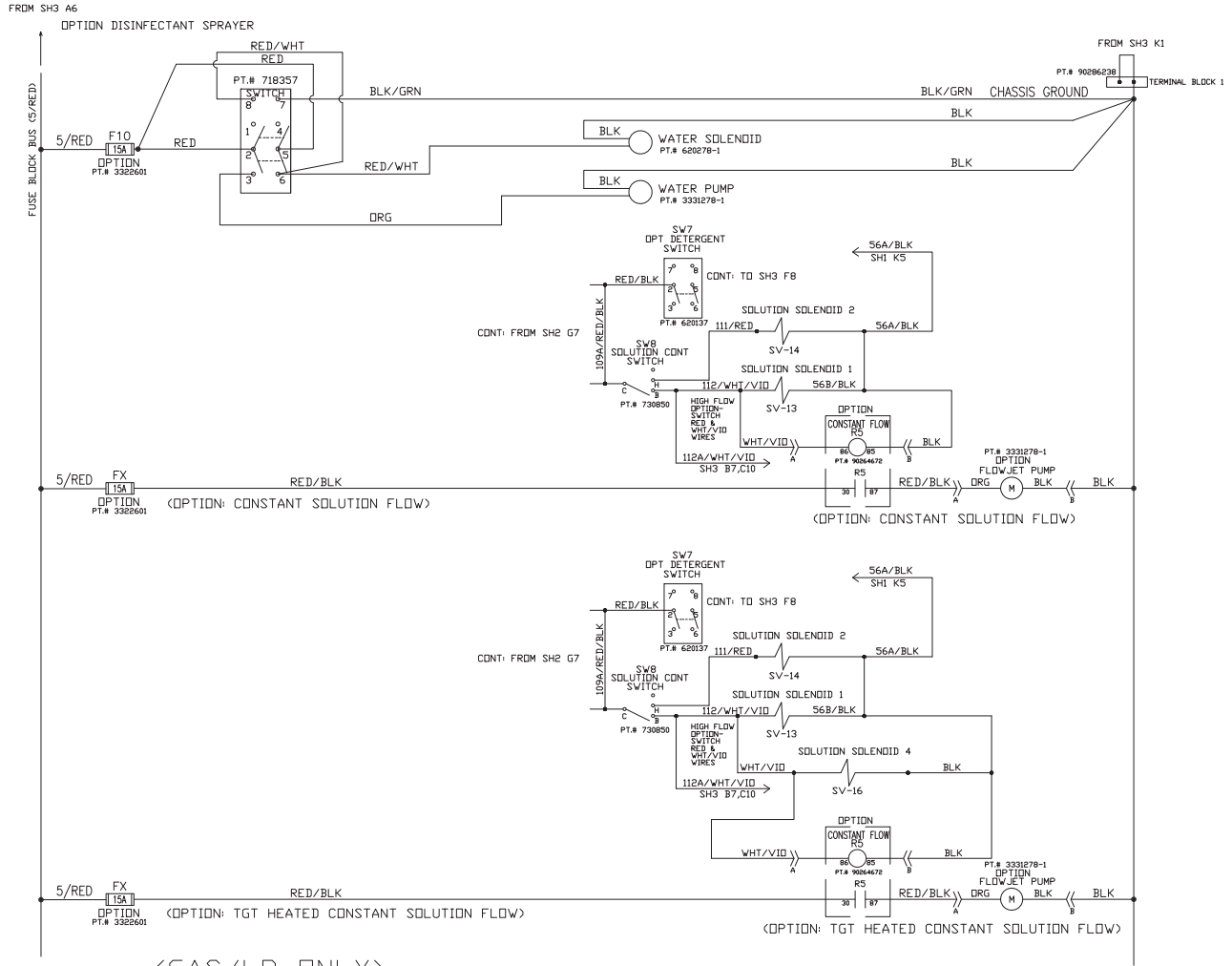
(GAS/LP ONLY)



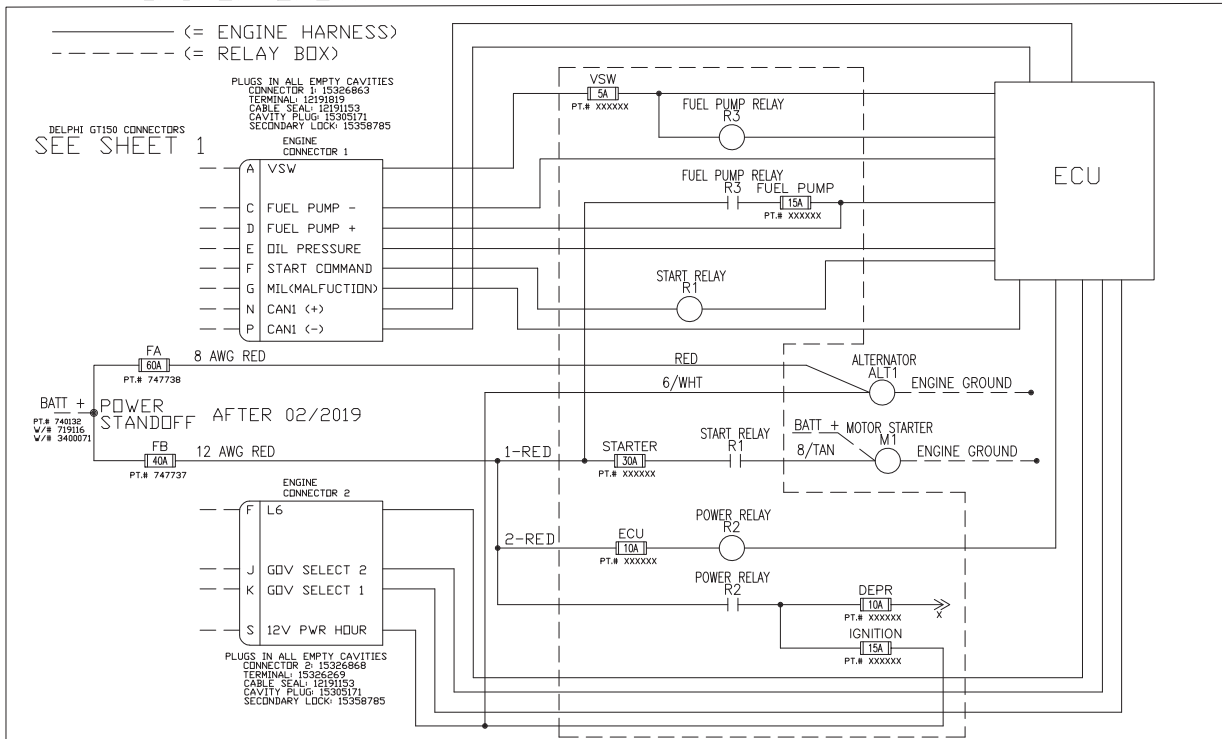
ELECTRICAL SCHEMATIC LAYOUT (POINT TO POINT WIRING)



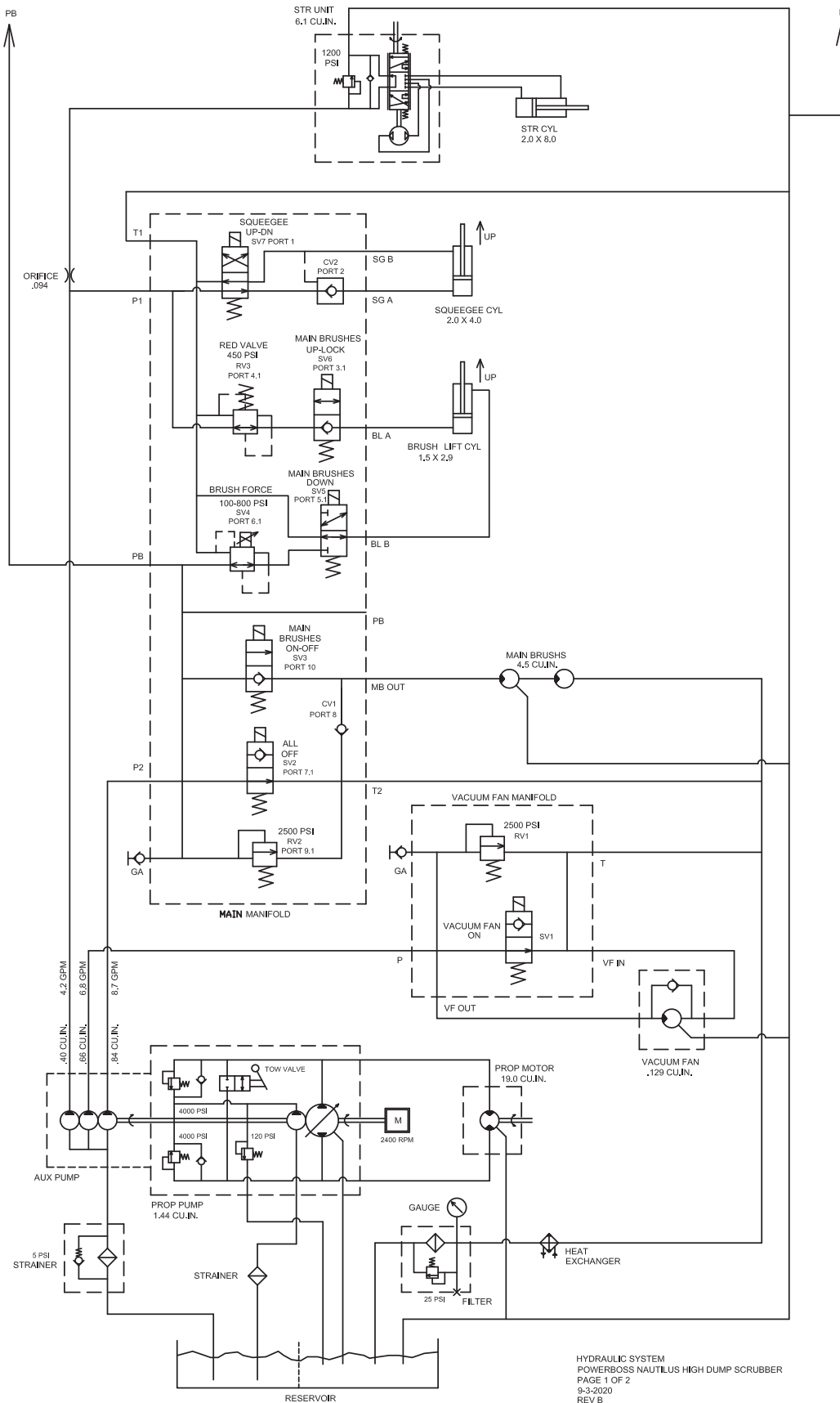
ELECTRICAL SCHEMATIC LAYOUT (POINT TO POINT WIRING)



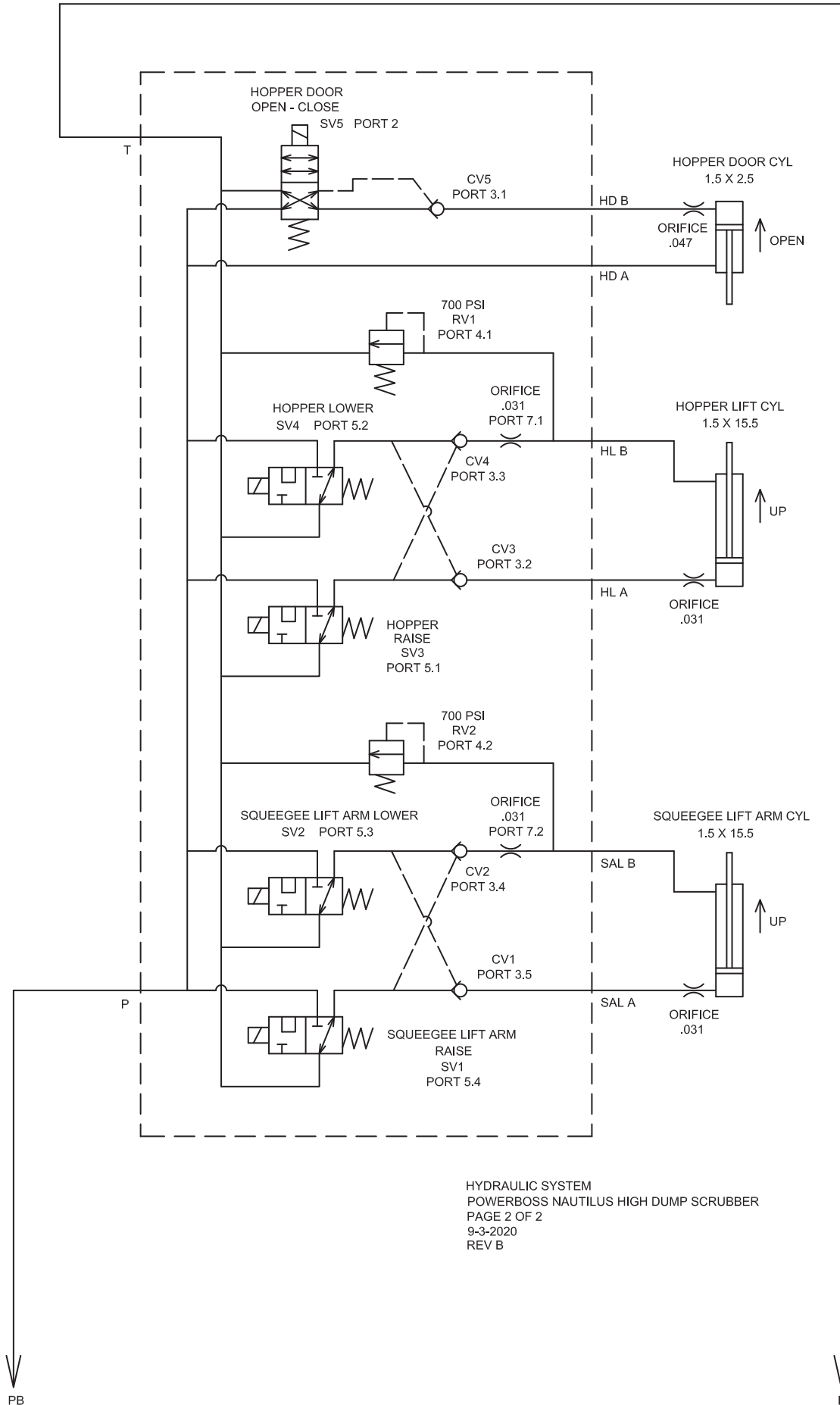
(GAS/LP ONLY)



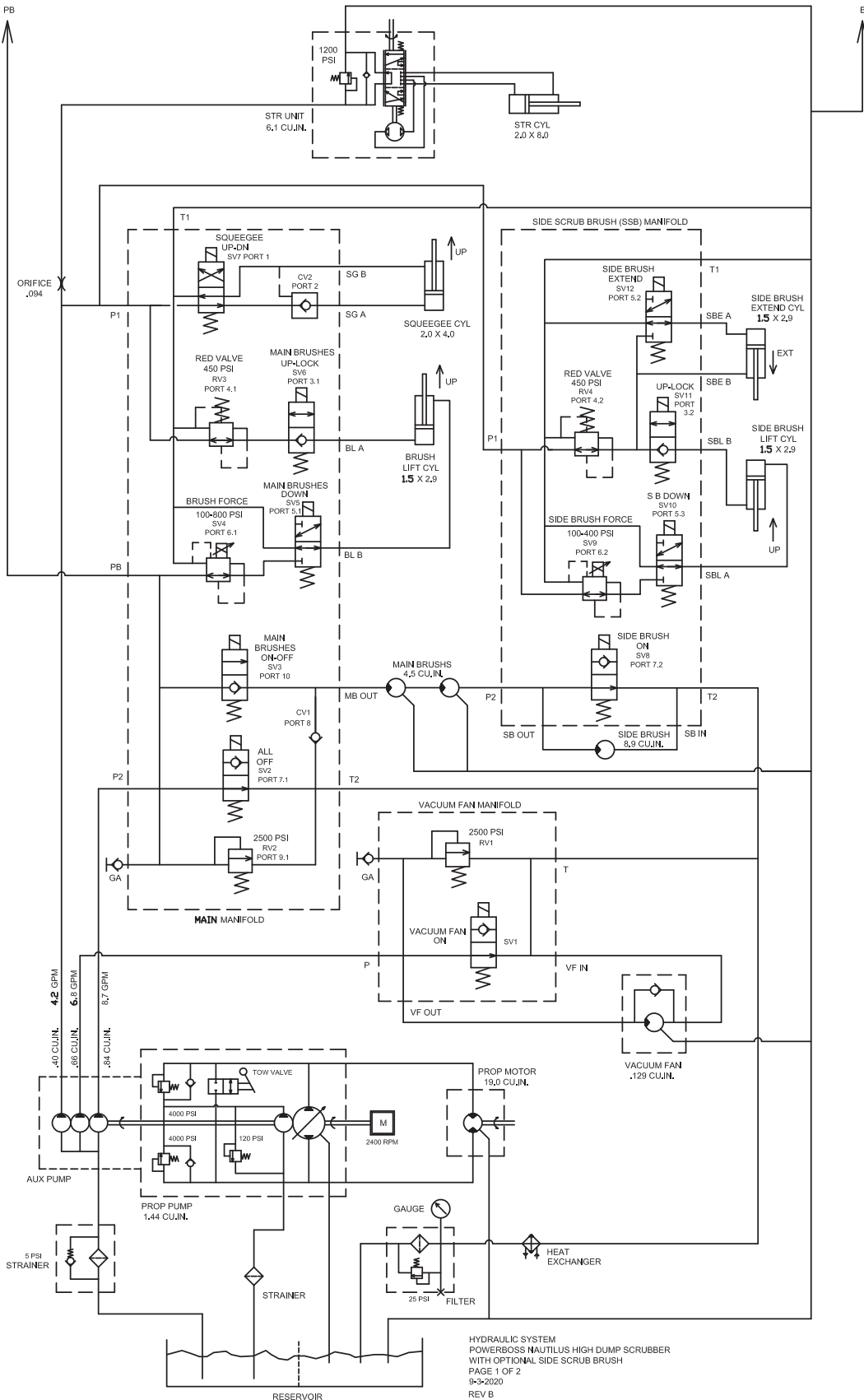
HYDRAULIC SYSTEM LAYOUT



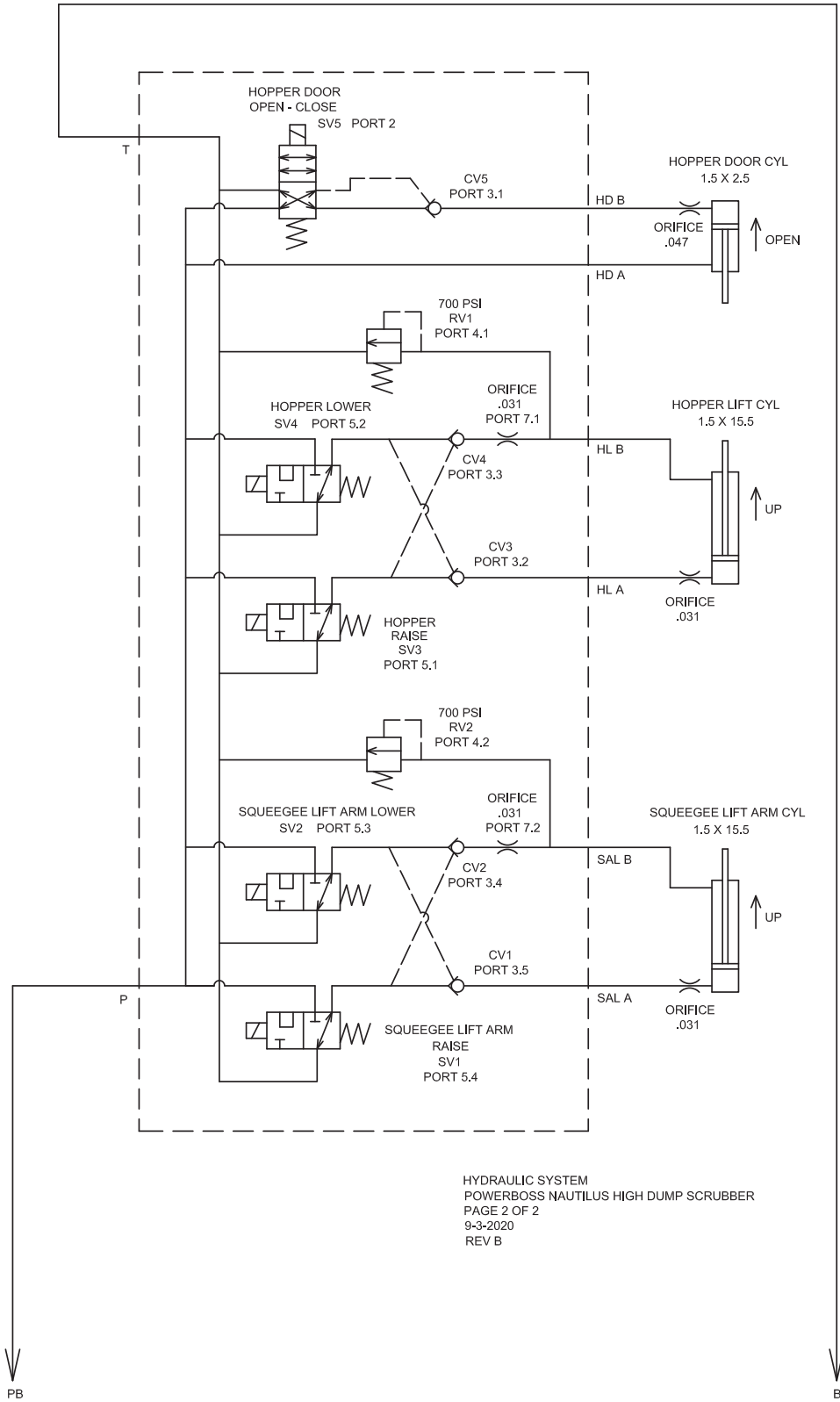
HYDRAULIC SYSTEM LAYOUT



HYDRAULIC SYSTEM LAYOUT WITH OPTIONAL SIDE SCRUB BRUSH

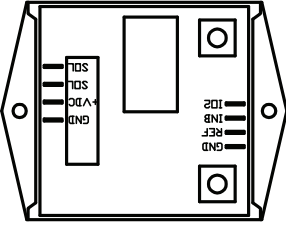


HYDRAULIC SYSTEM LAYOUT WITH OPTIONAL SIDE SCRUB BRUSH



TIMER DIP-SWITCH SETTINGS

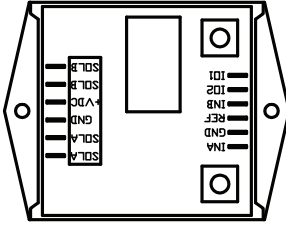
**PROP VALVE DRIVER
SINGLE SOLENOID**



SETTINGS:
 P1 TO 1.75
 P2 TO 1.95
 P3 TO 2.18
 P4 TO 0.00
 UP TO 00.5
 DN TO 00.5
 DF TO 60
 SAVE:
 TURN LEFT
 KNOB 1 TURN

DRIVER
PT# 731125

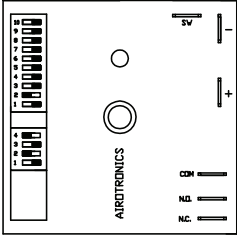
**PROP VALVE DRIVER
DOUBLE SOLENOID**



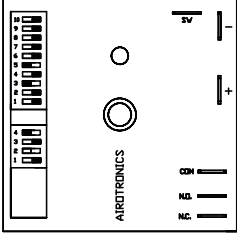
SETTINGS:
 BP1 TO 1.75
 BP2 TO 1.95
 BP3 TO 2.18
 BP4 TO 0.00
 AP1 TO 1.6
 AP2 TO 1.7
 AP3 TO 1.85
 AP4 TO 0.00
 AUP TO 00.5
 ADN TO 00.5
 BUP TO 00.5
 BDN TO 00.5
 DF TO 60
 SAVE:
 TURN LEFT
 KNOB 1 TURN

DRIVER
PT# 731126

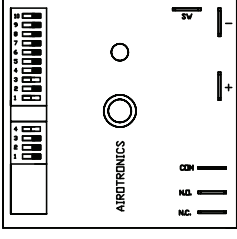
MOTION T1



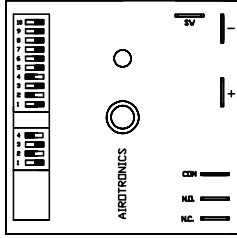
SHUT DOWN T2



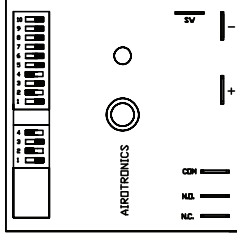
FLOAT T3



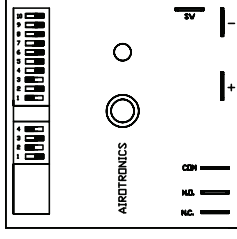
ENGINE T4



VAC T5

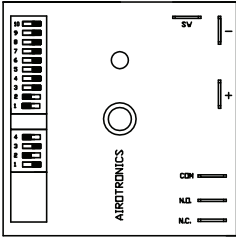


SQUEEGEE T6

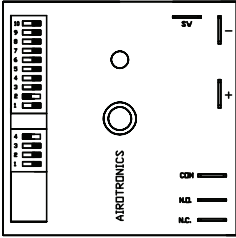


TIMER PLATE SETTINGS

CE SEAT SWITCH T7



HIGH DUMP - HOPPER T8



**TIMER
PT# 748430**

PowerBoss®
The Power of Clean

“The Power of Clean”

**PowerBoss® is a Full Line Manufacturer of Sweepers and Scrubbers,
for Industrial Facilities.**

PowerBoss®, Minuteman International, Inc. 14N845 U.S. Route 20 Pingree Grove, Illinois 60140
Phone: 800-323-9420 www.PowerBoss.com Email: tech@powerboss.com

A Member of the Hako Group

Nautilus Hi-Dump Rider Scrubber/Sweeper #988752 Rev. R 04/23

PowerBoss® Copyright 2014-2015